

SINGER

16K

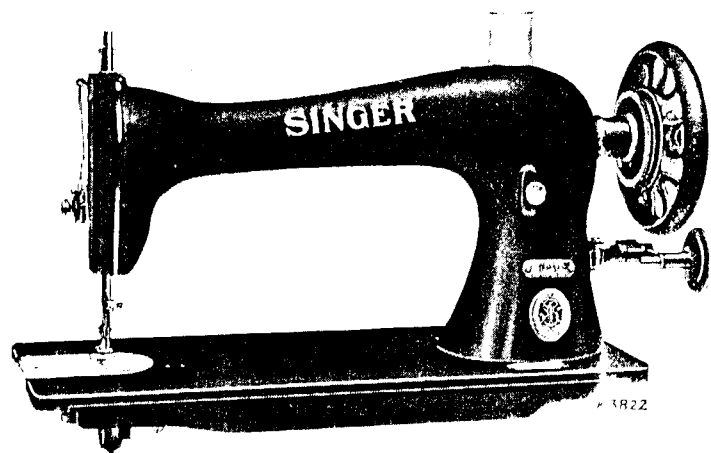
Form K5697
Sup'des K589 and K2100
(1016)

ILLUSTRATED LIST OF PARTS

FOR

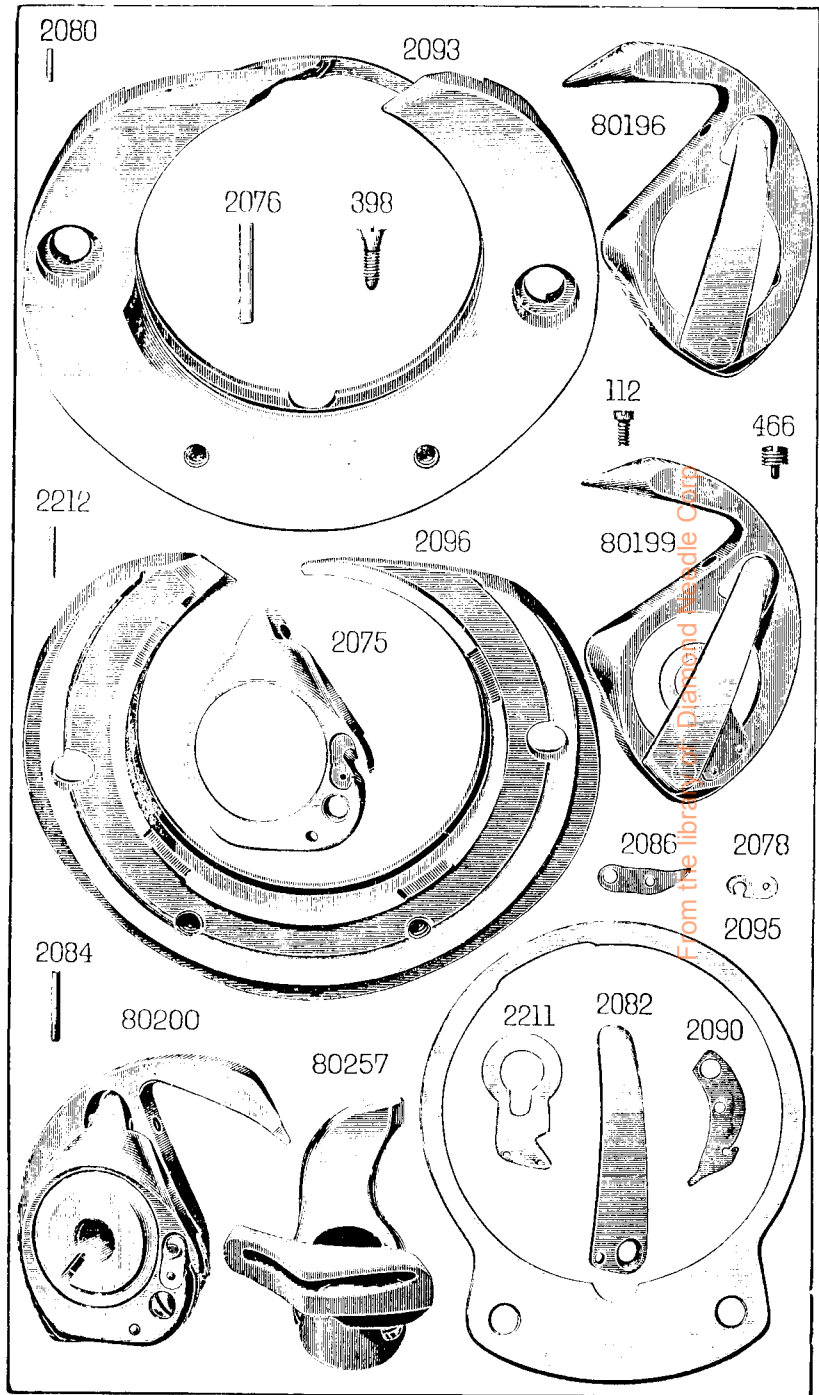
CLASS 16K MACHINES

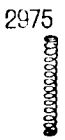
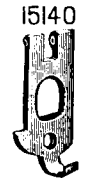
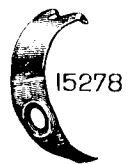
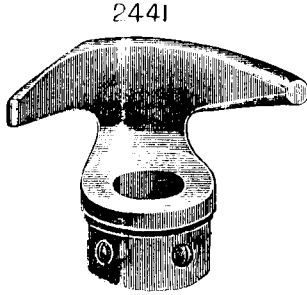
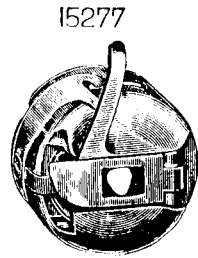
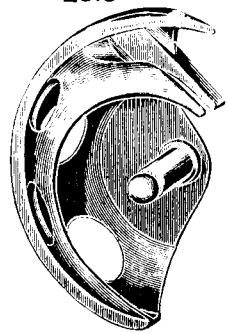
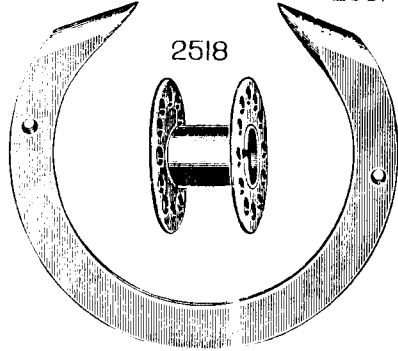
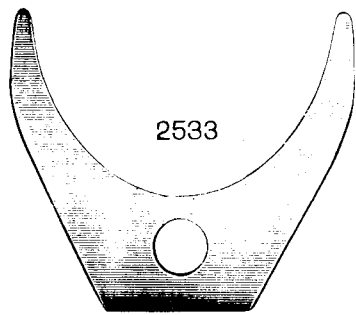
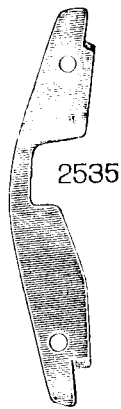
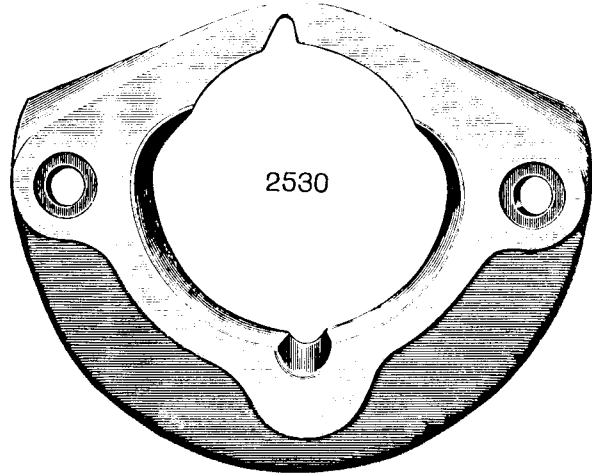
(Nos. 16K25, 16K28, 16K33, 16K39, 16K53,
16K55, 16K104, 16K107, 16K110, 16K111,
16K113, 16K116, 16K117, 16K119 and 16K121.)



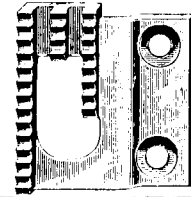
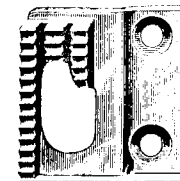
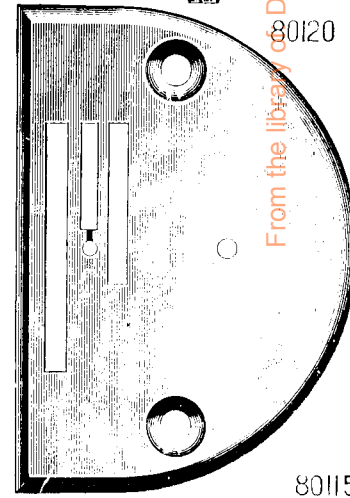
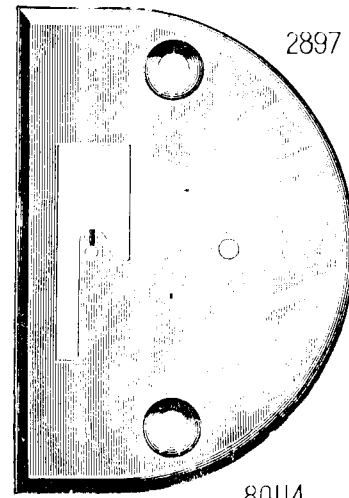
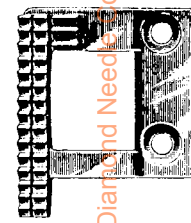
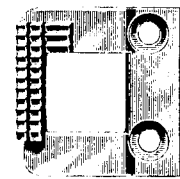
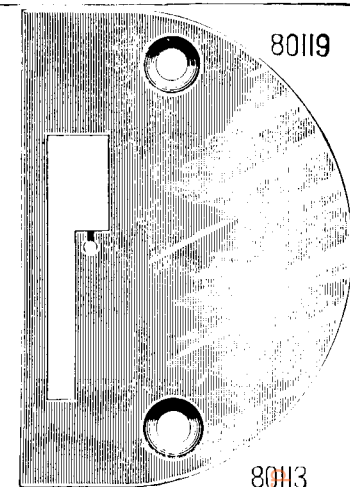
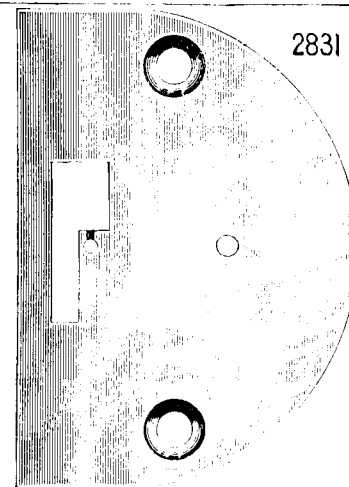
No. 16K33 Machine.

THE SINGER MANUFACTURING CO

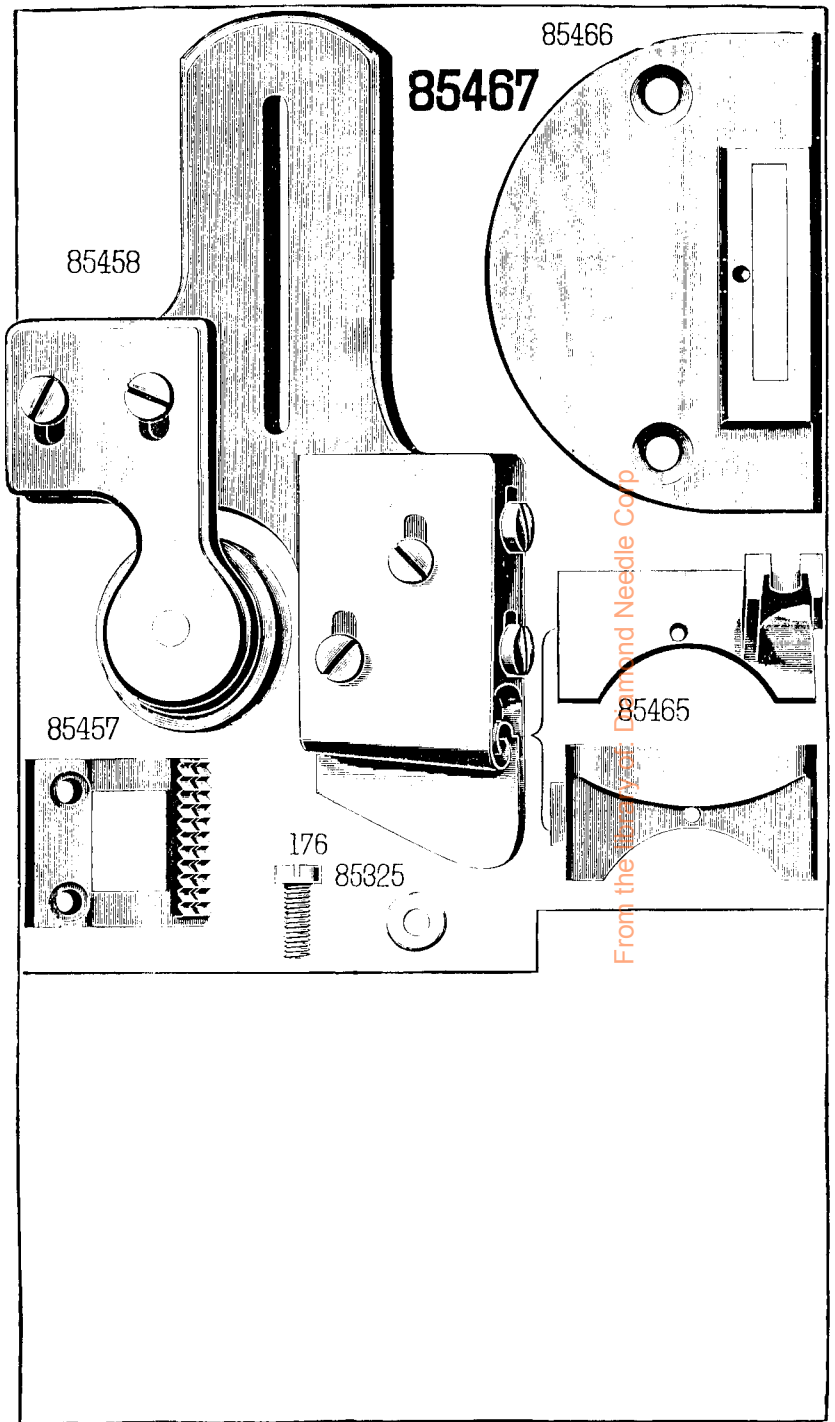
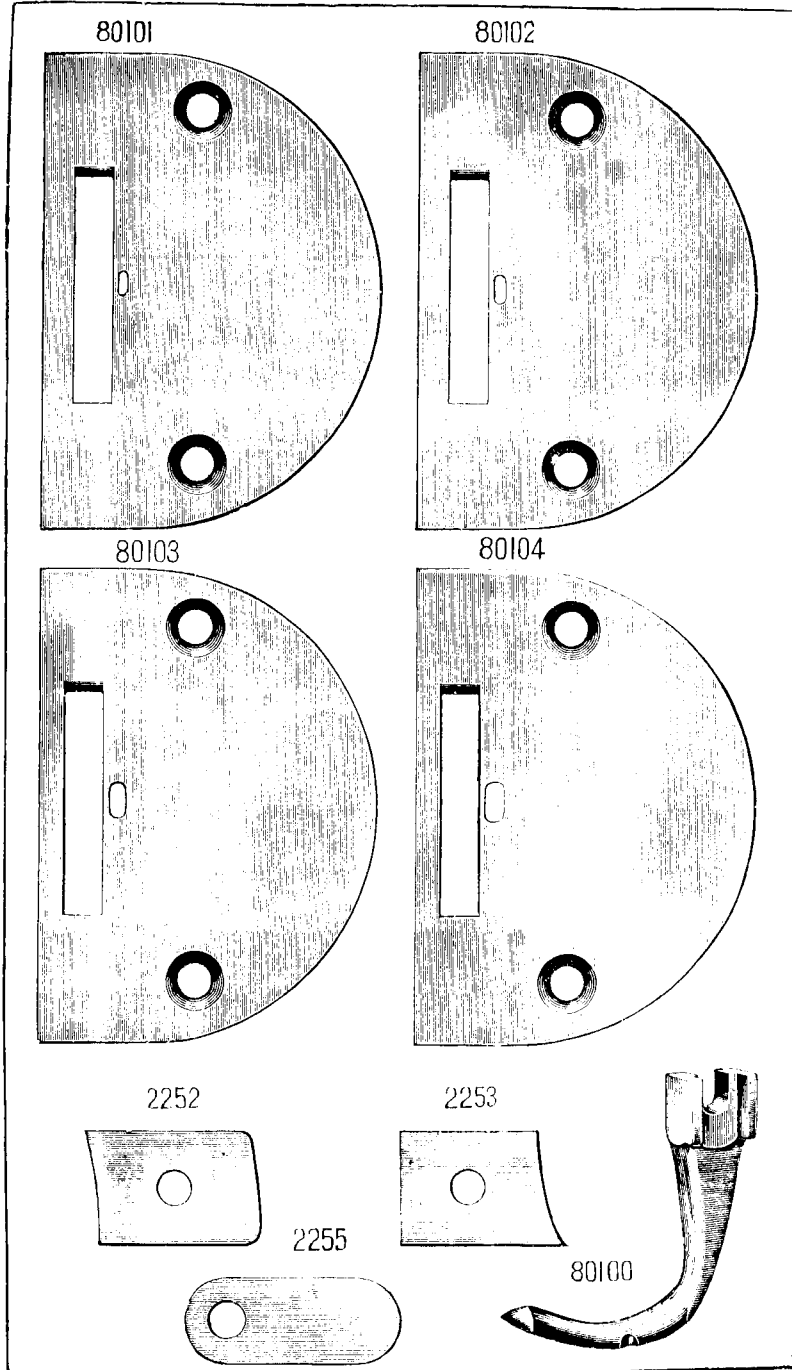


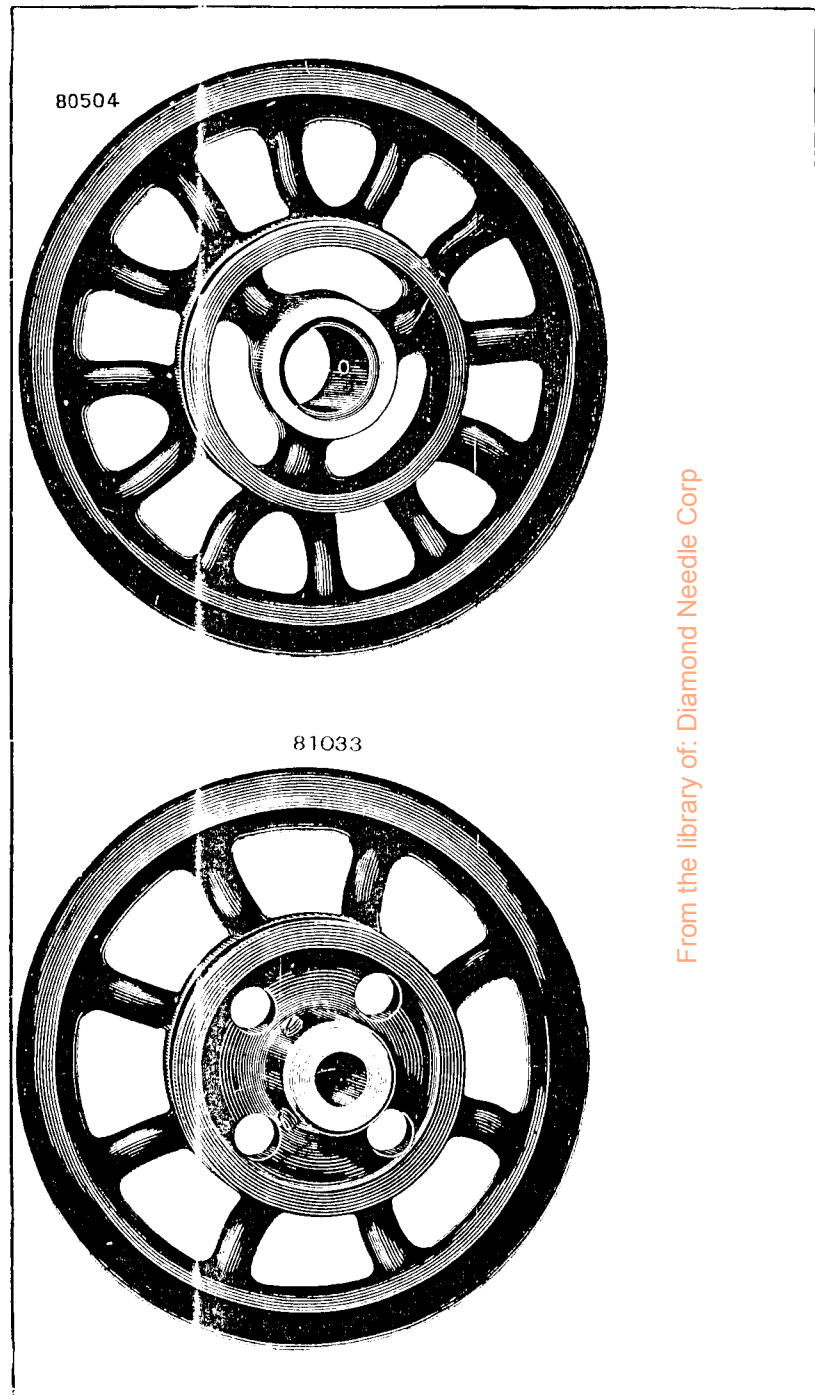
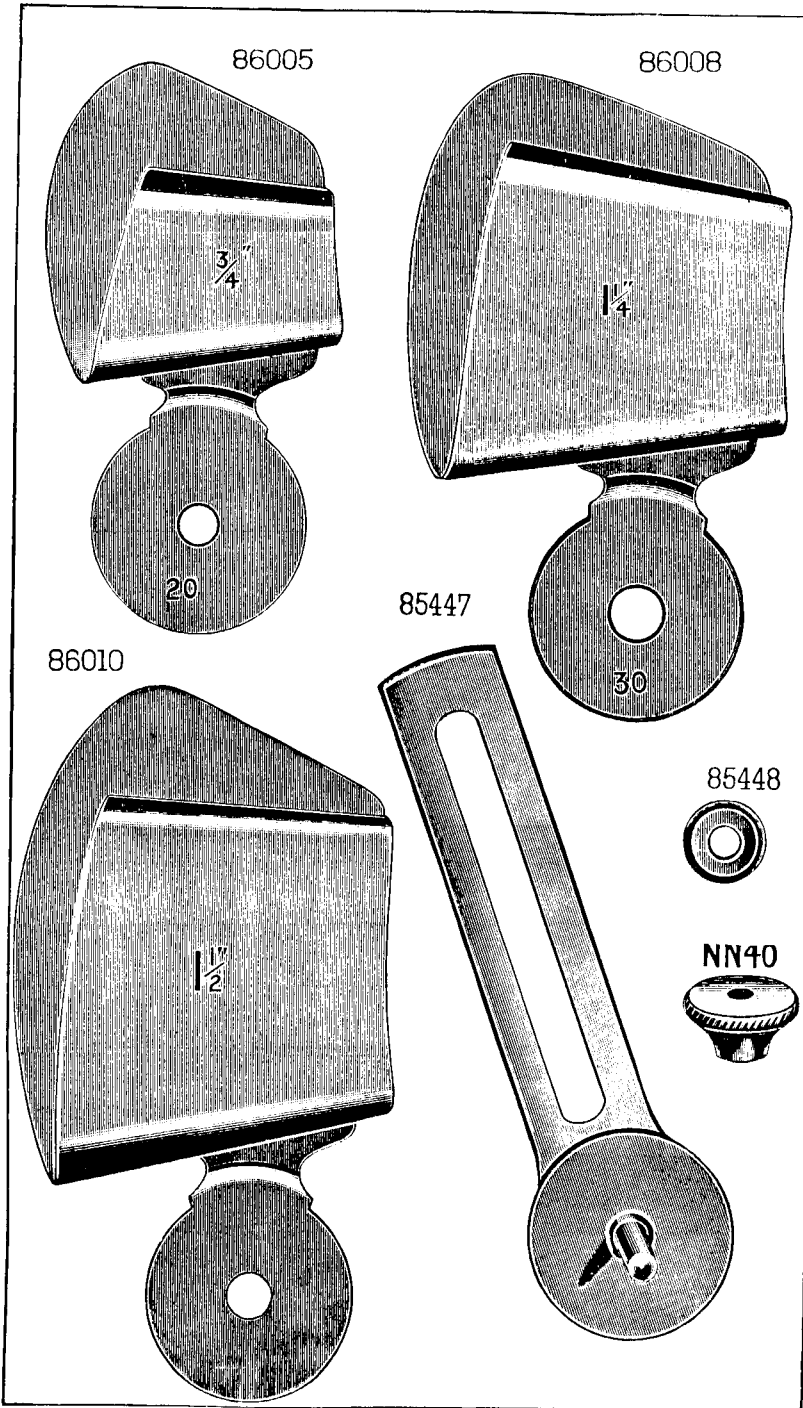


2531

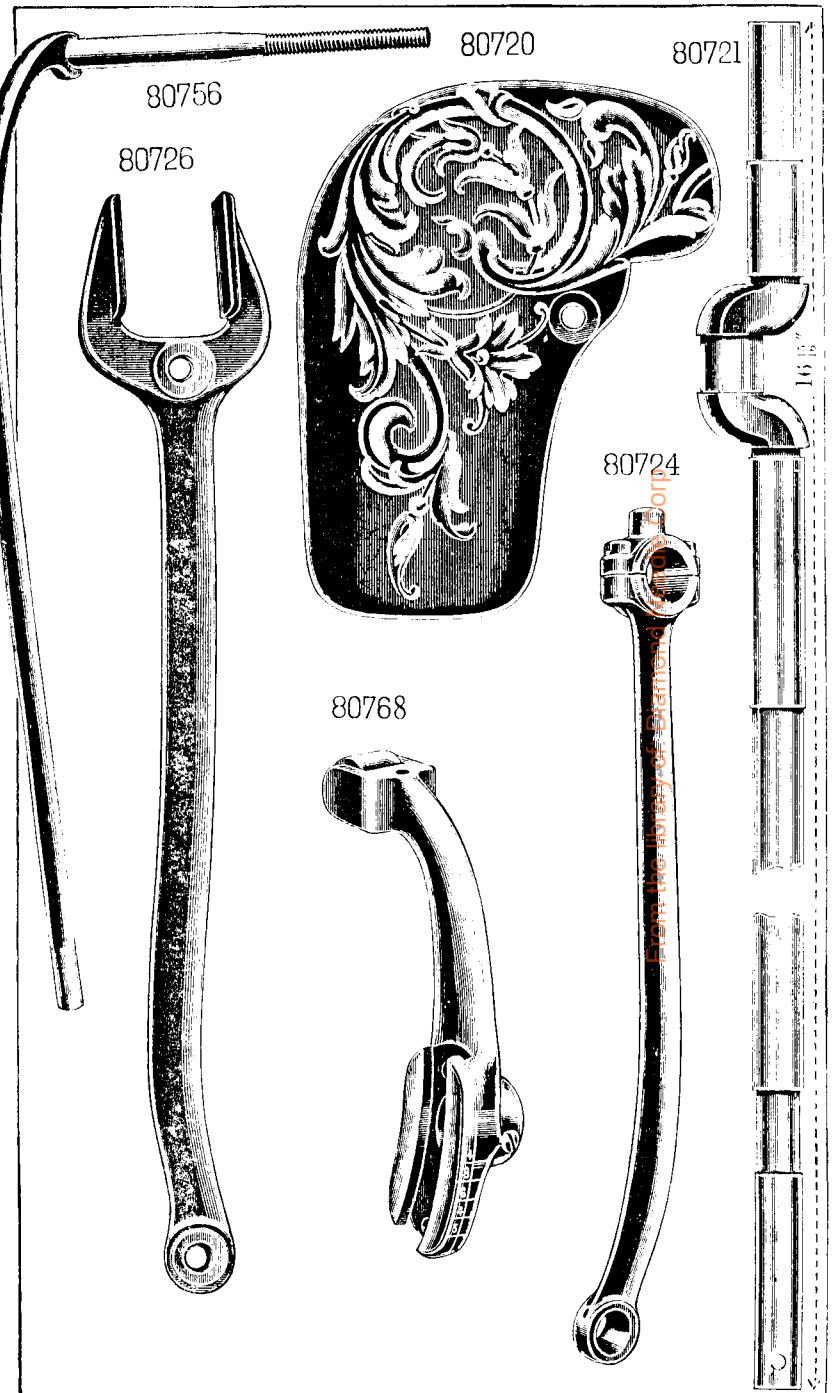
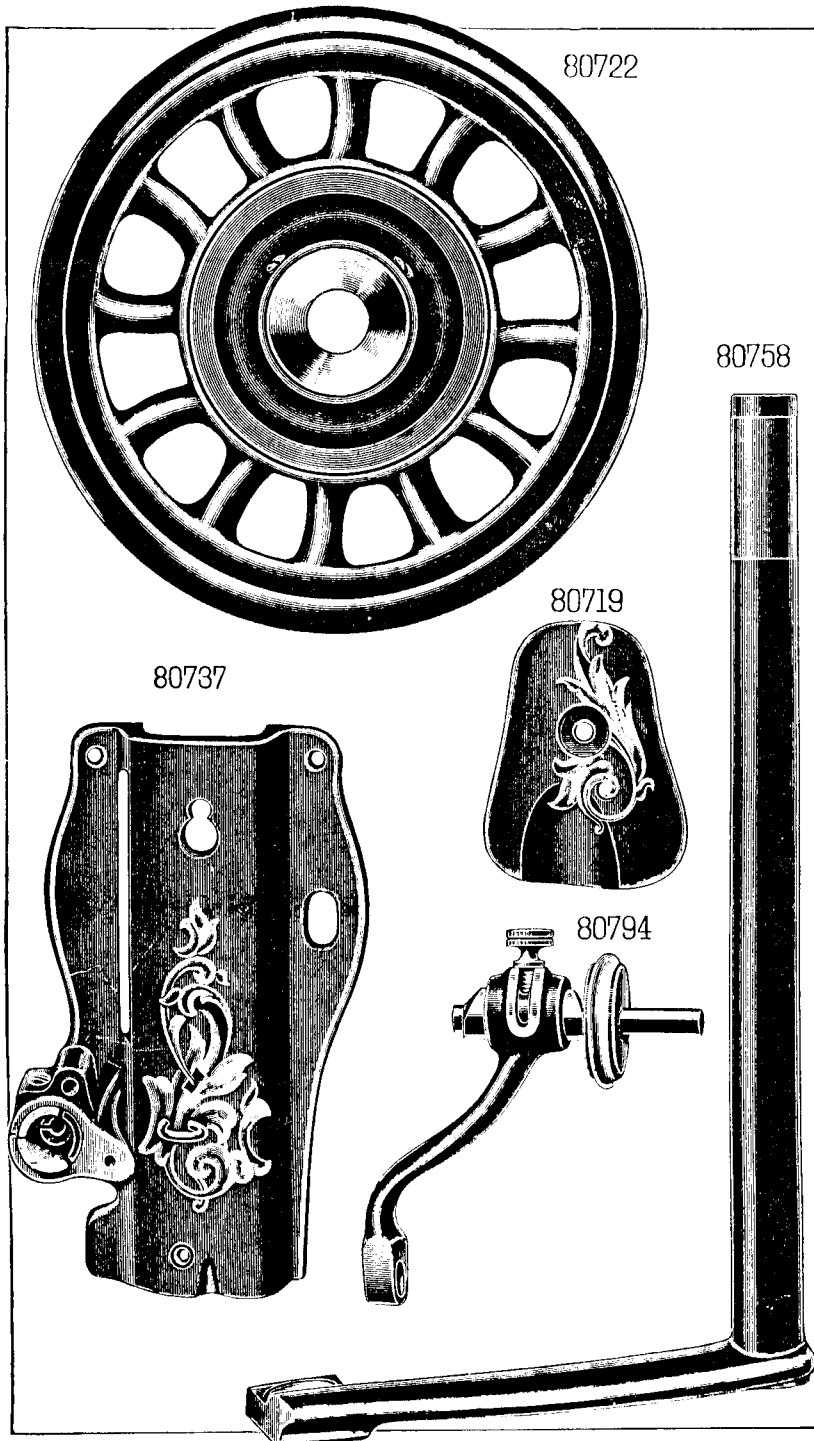


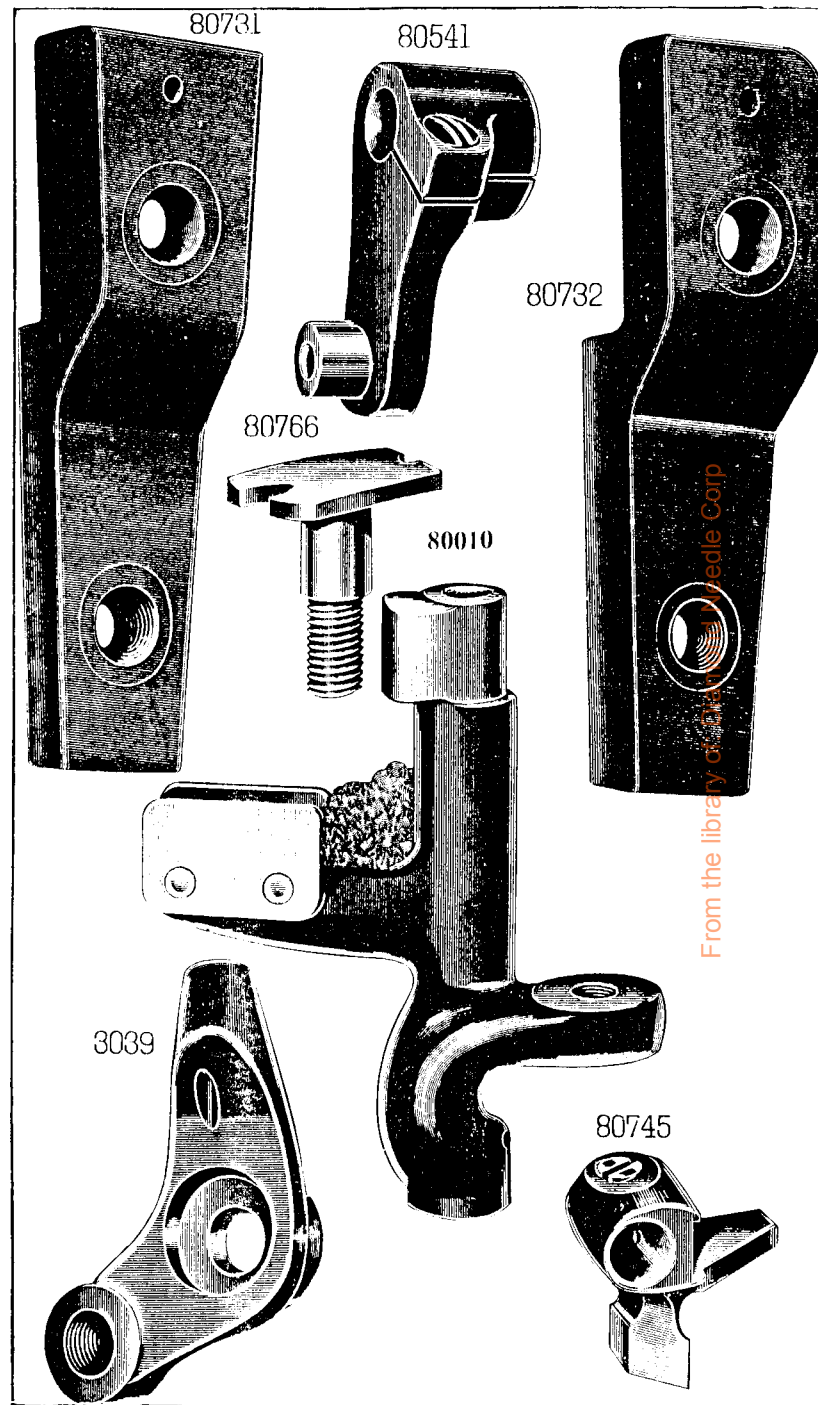
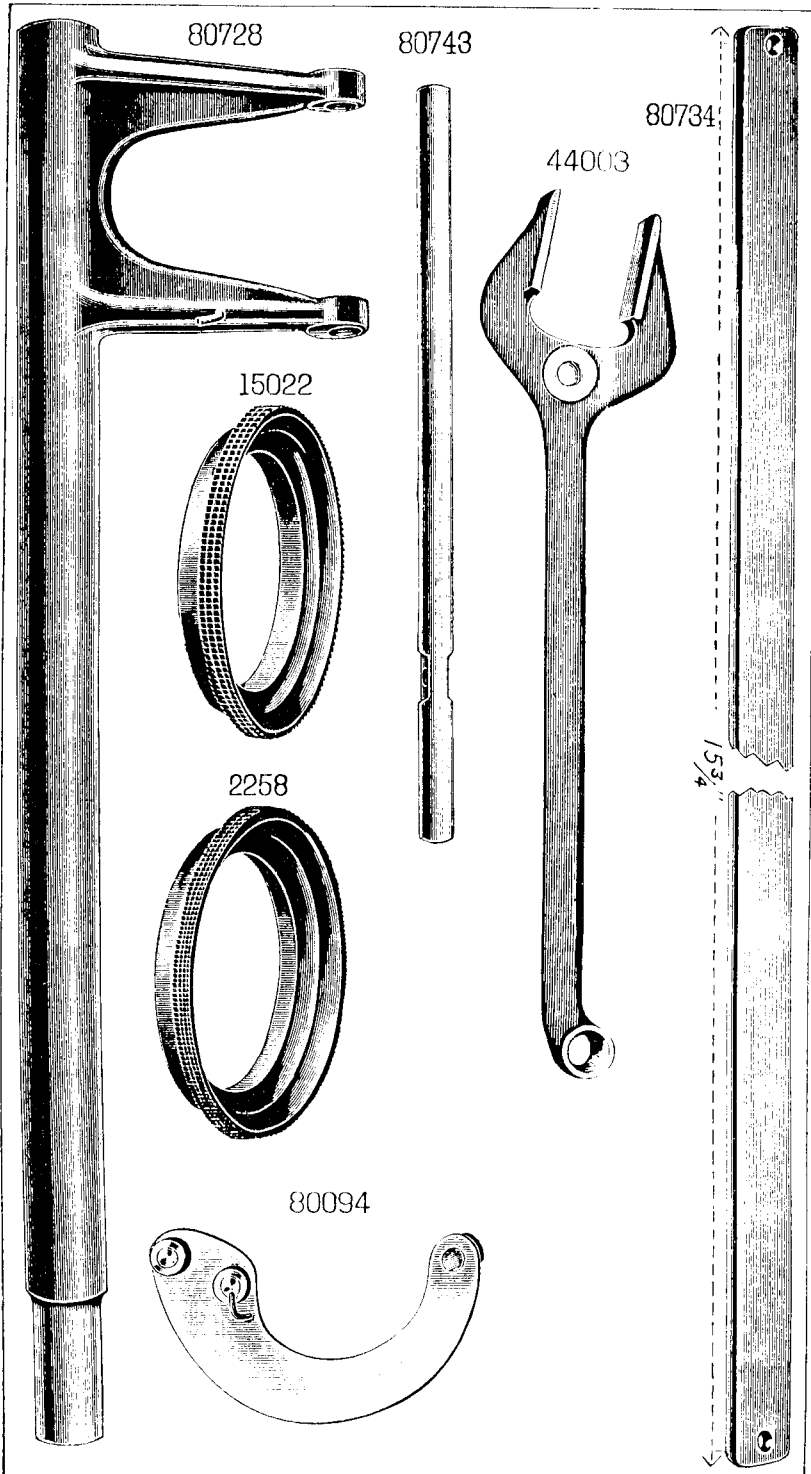
From the library of Diamond Needles Co.

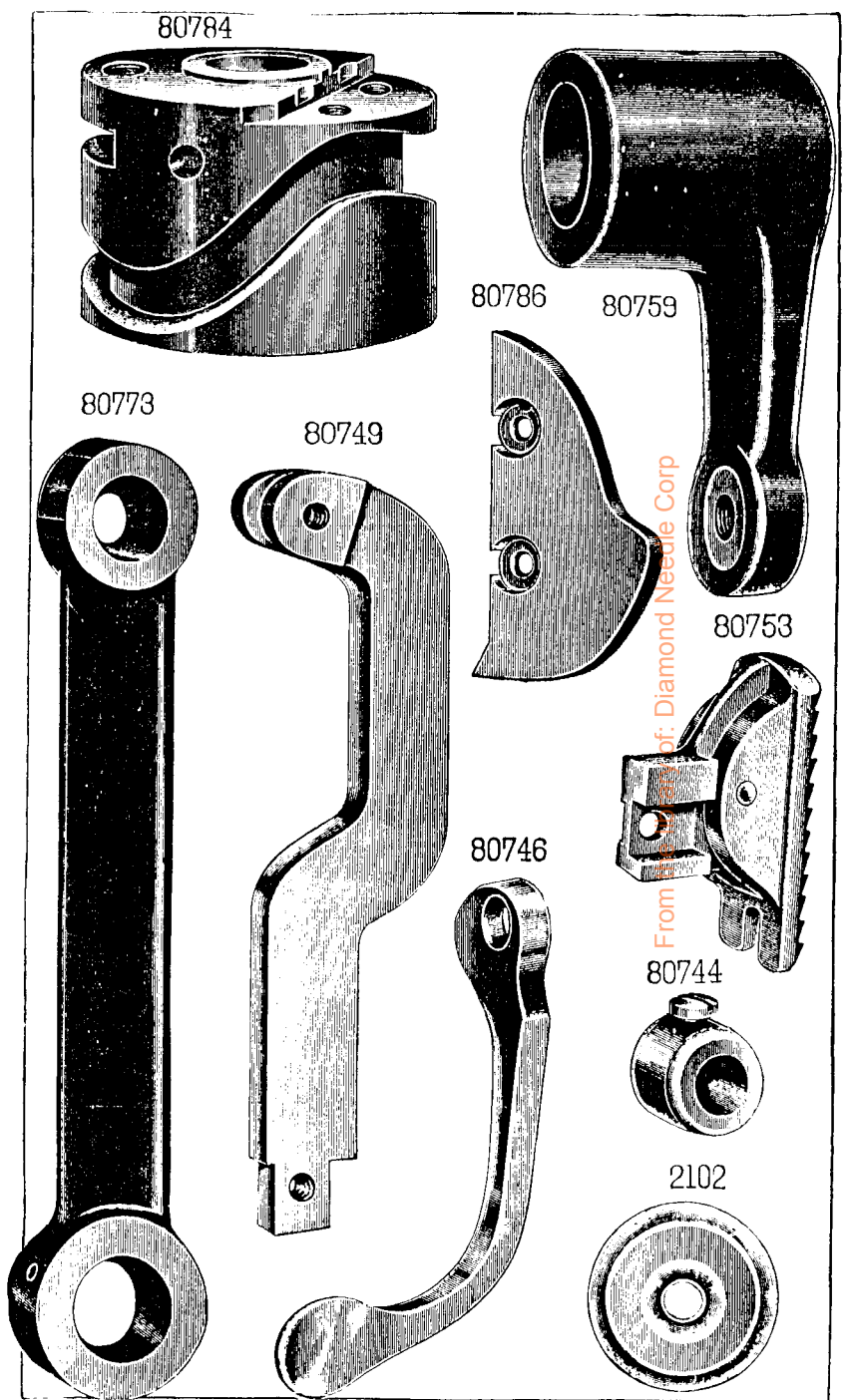
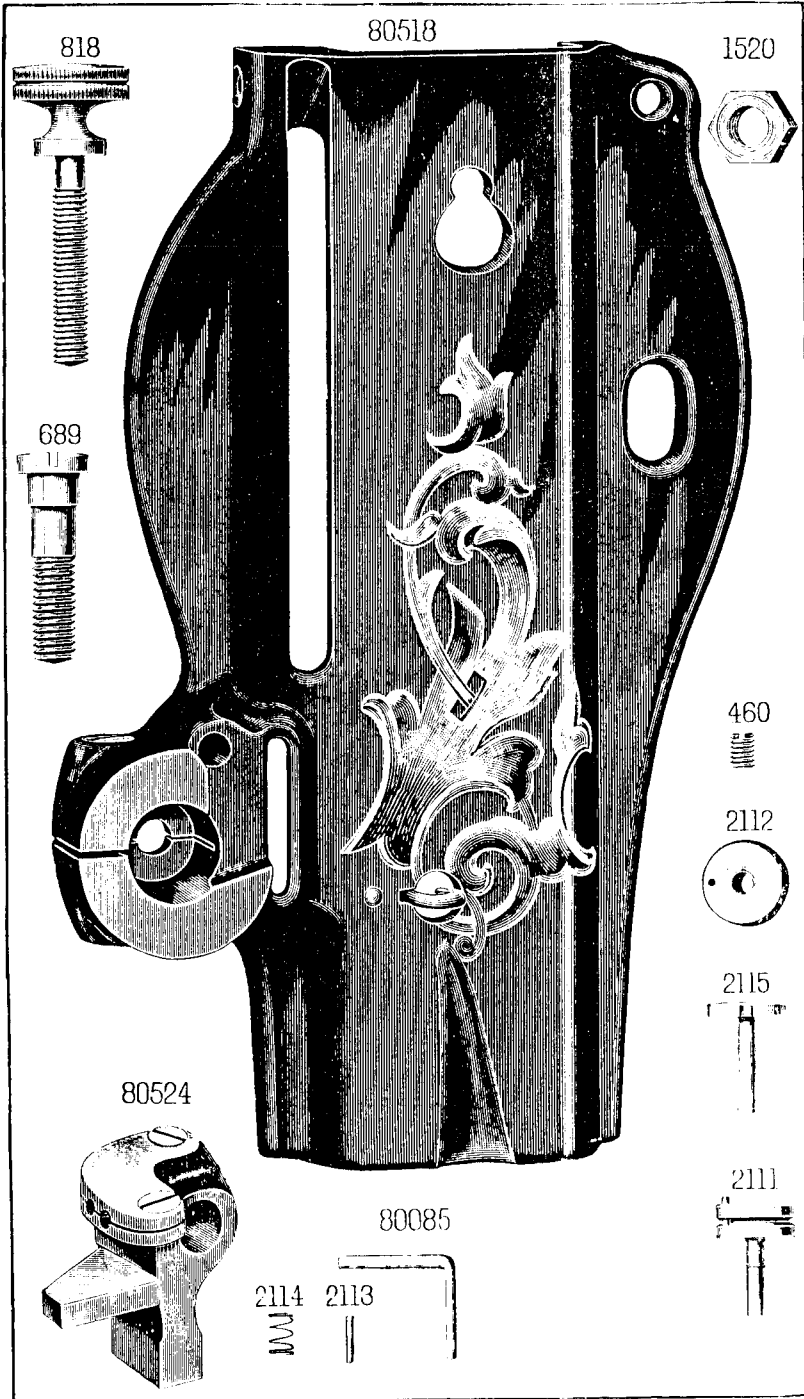


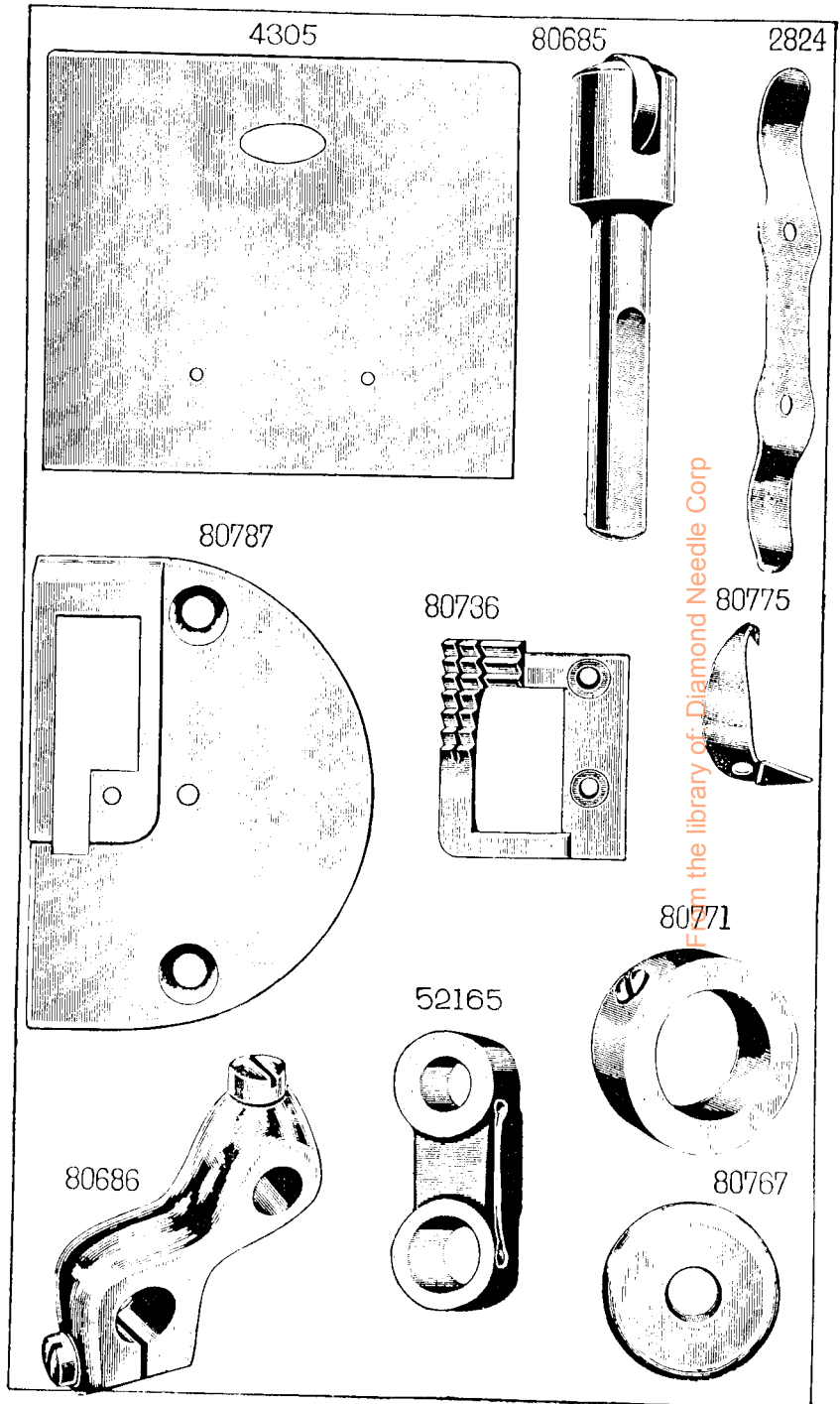
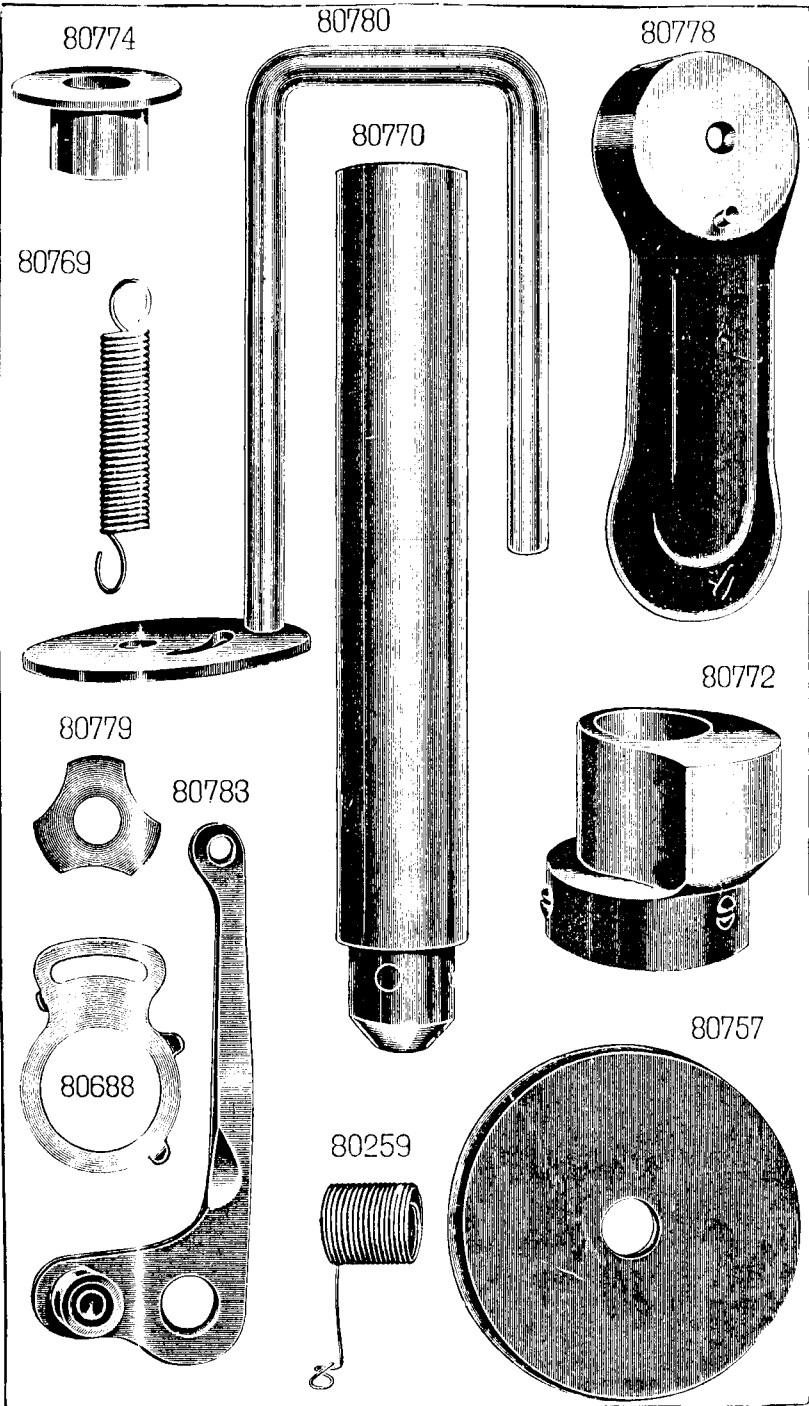


From the library of: Diamond Needle Corp

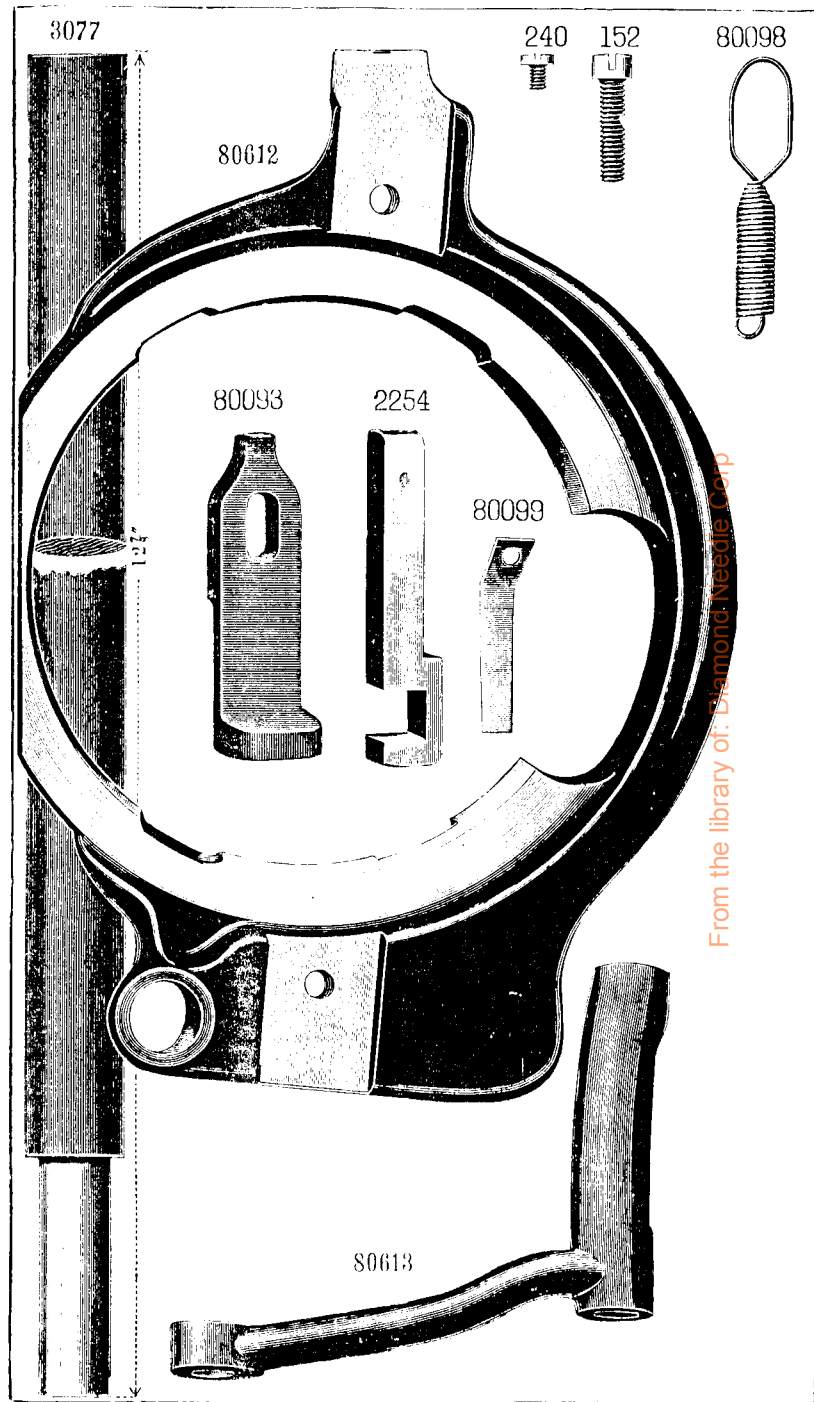
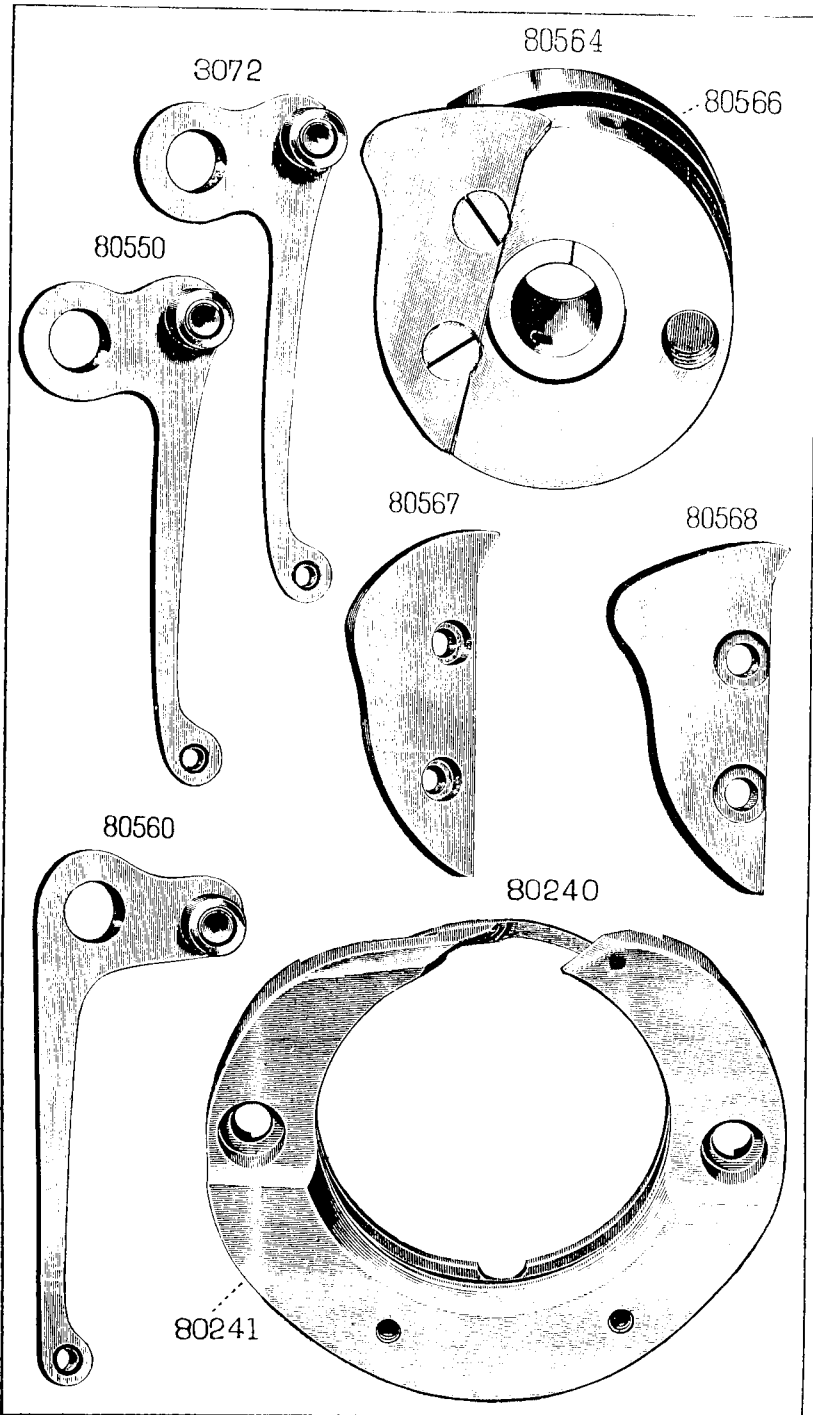




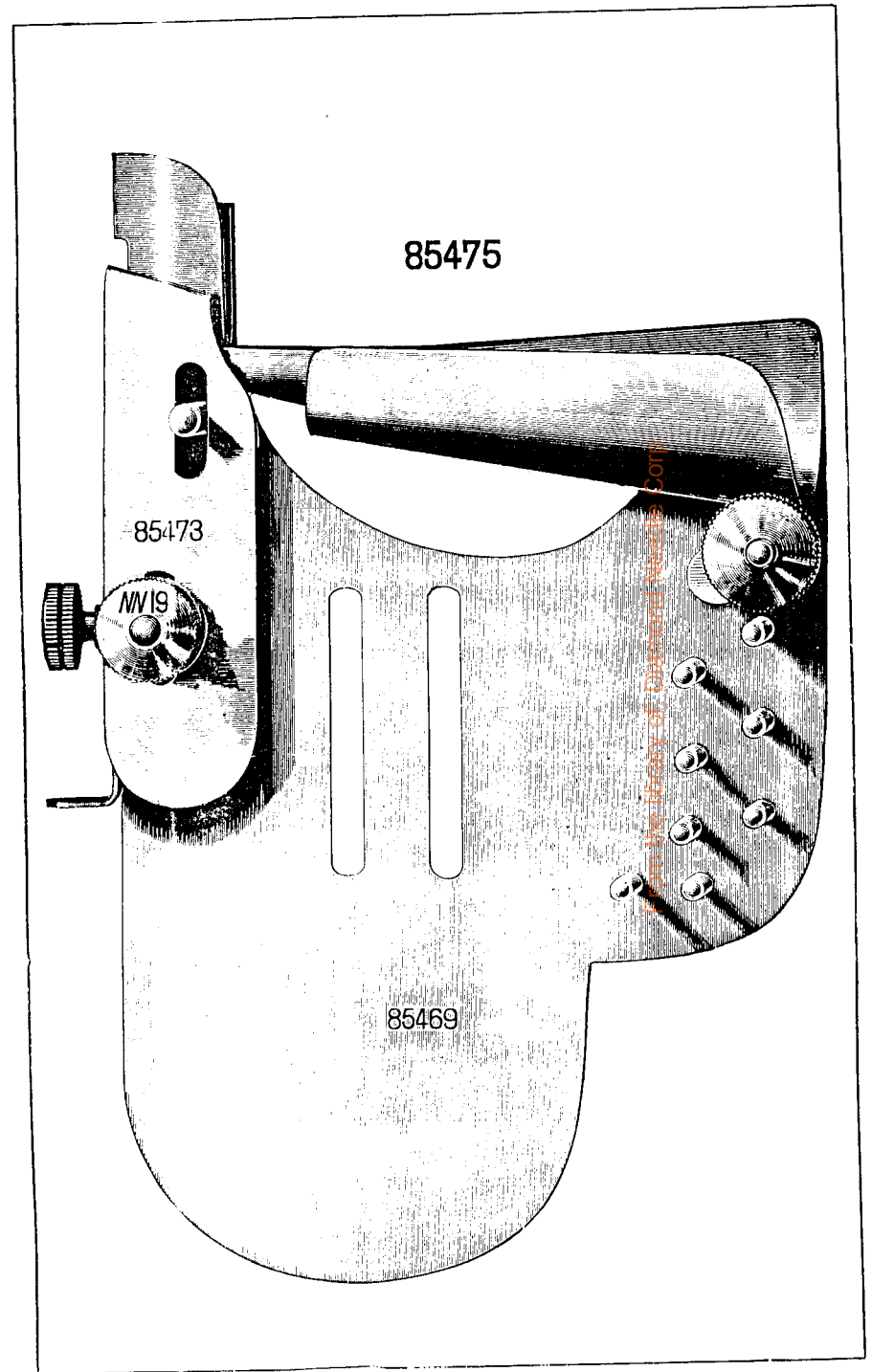
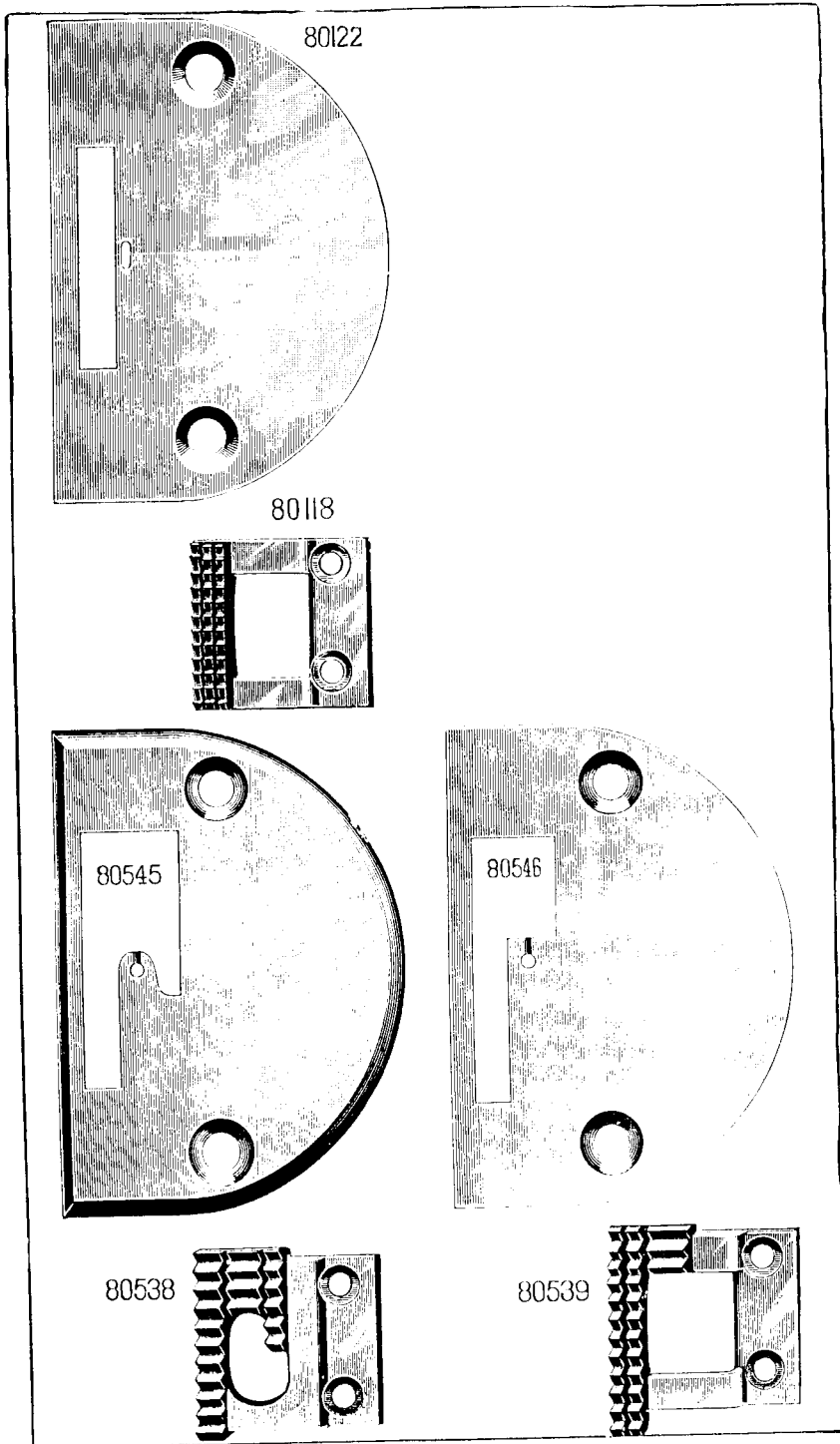


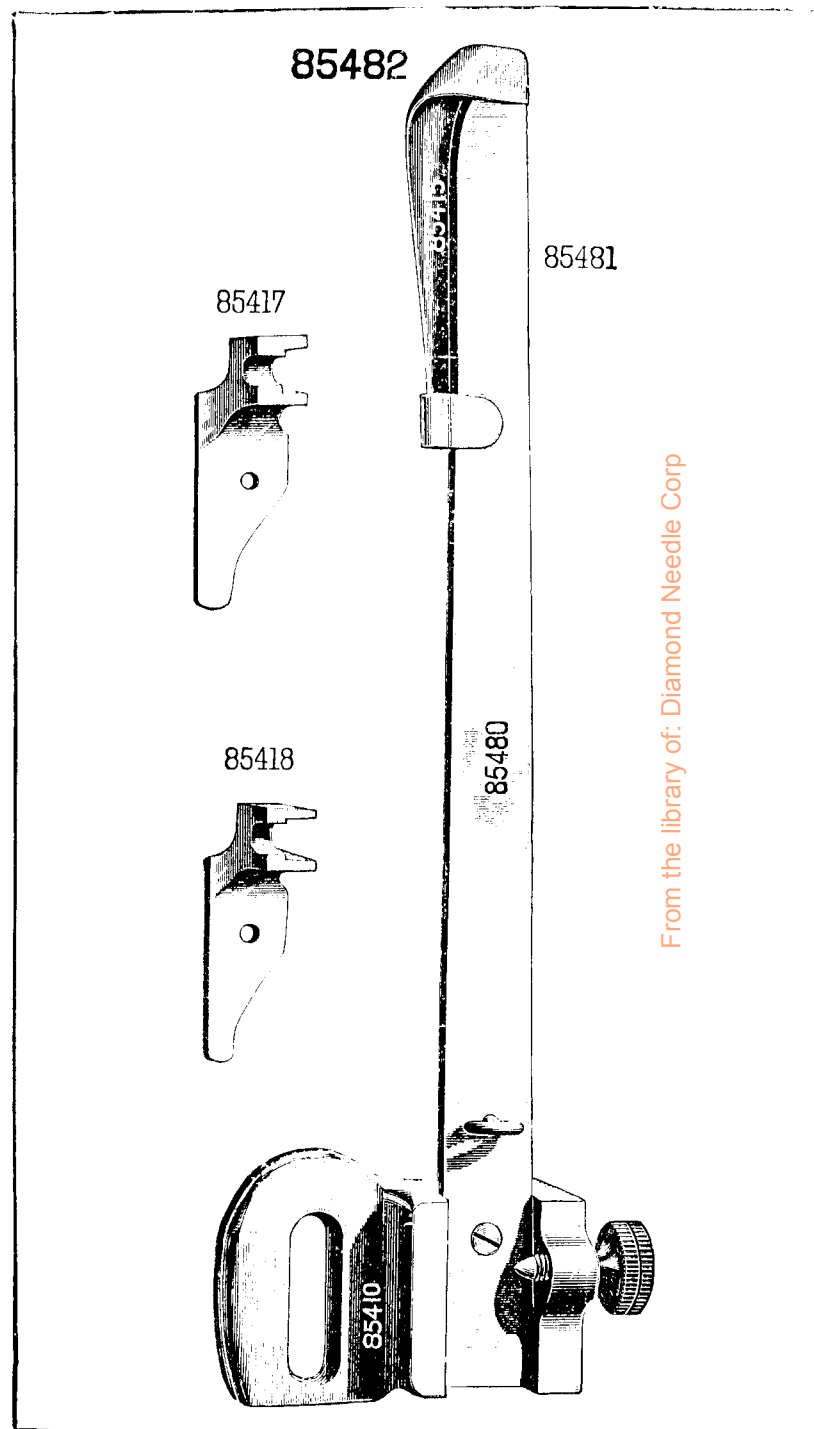
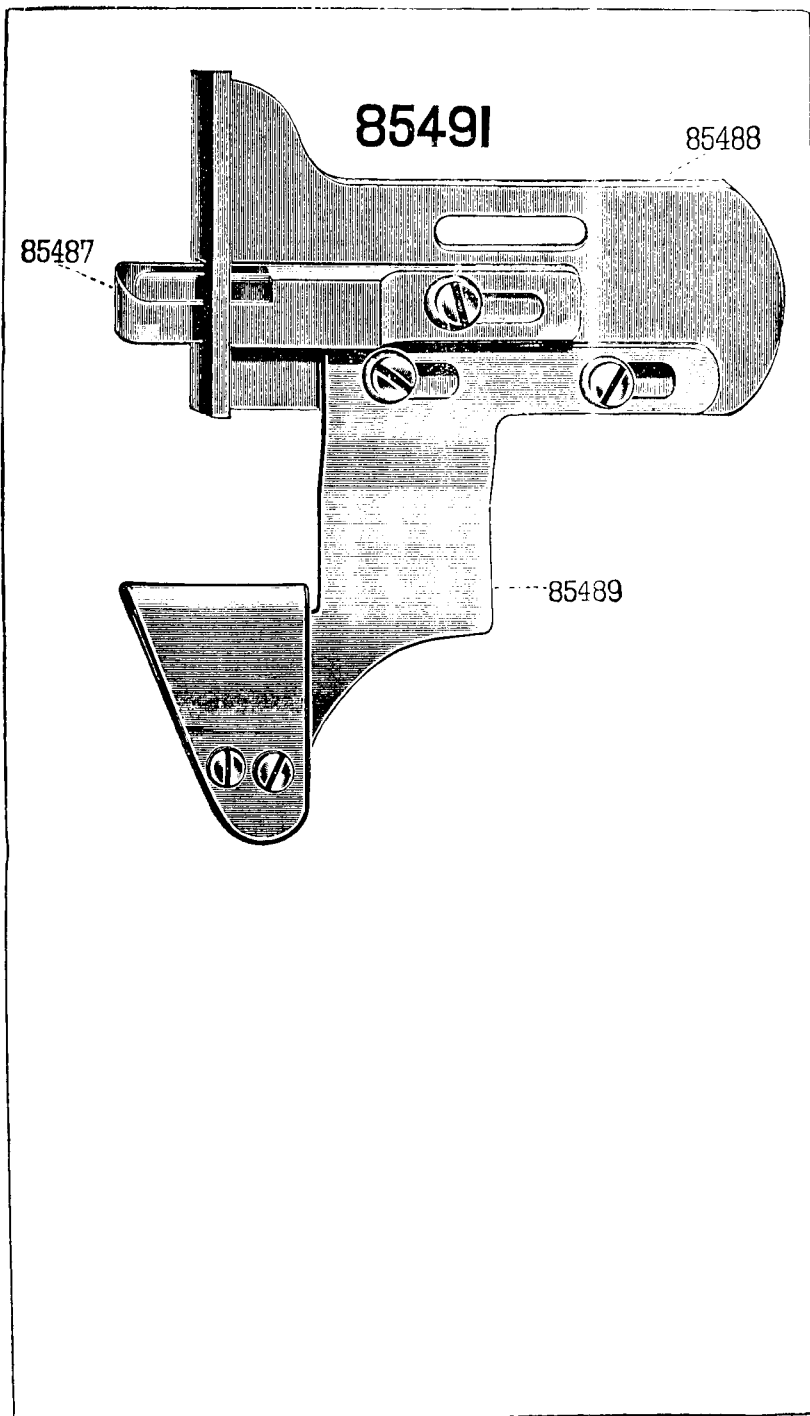


From the library of: Diamond Needle Corp

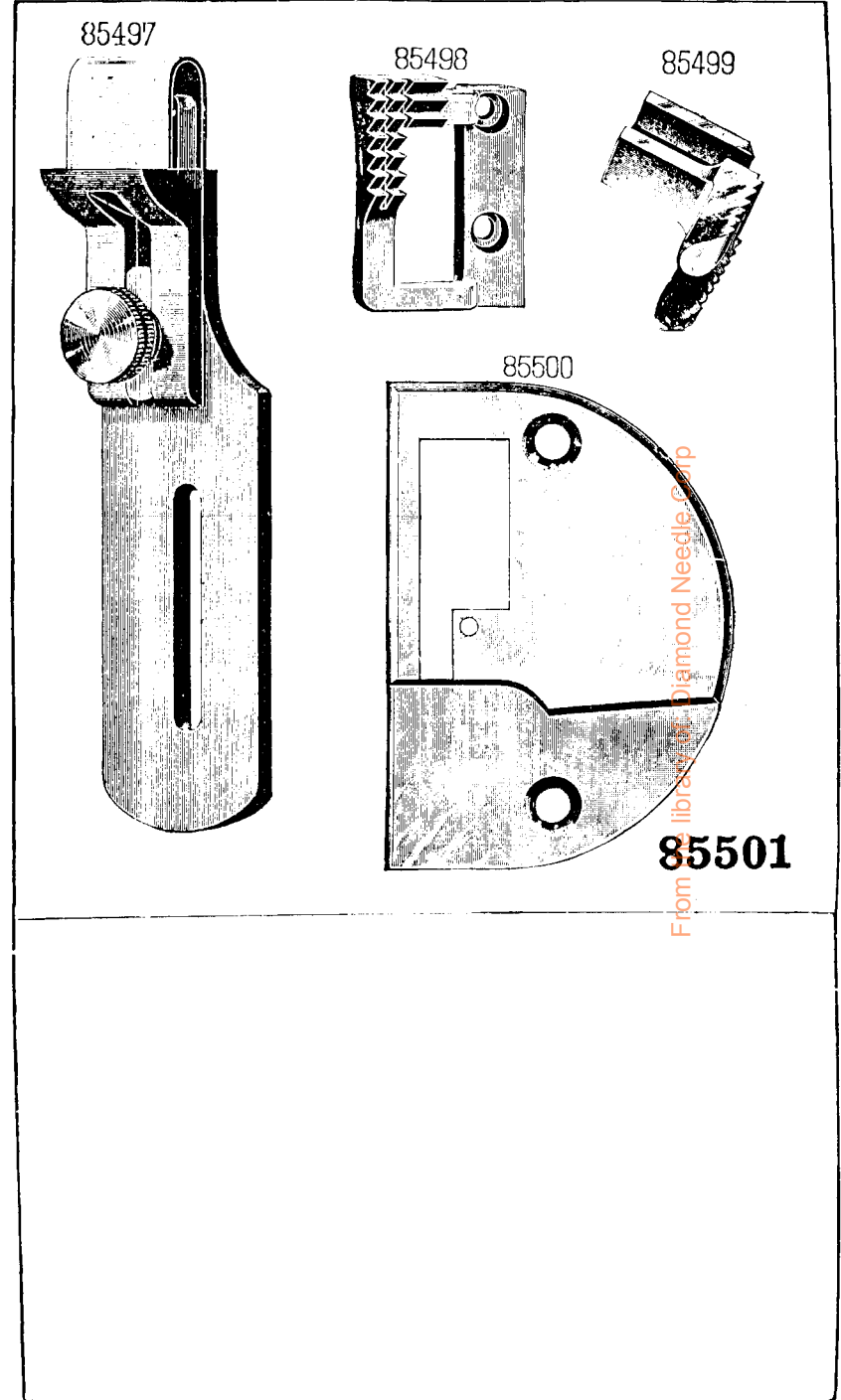
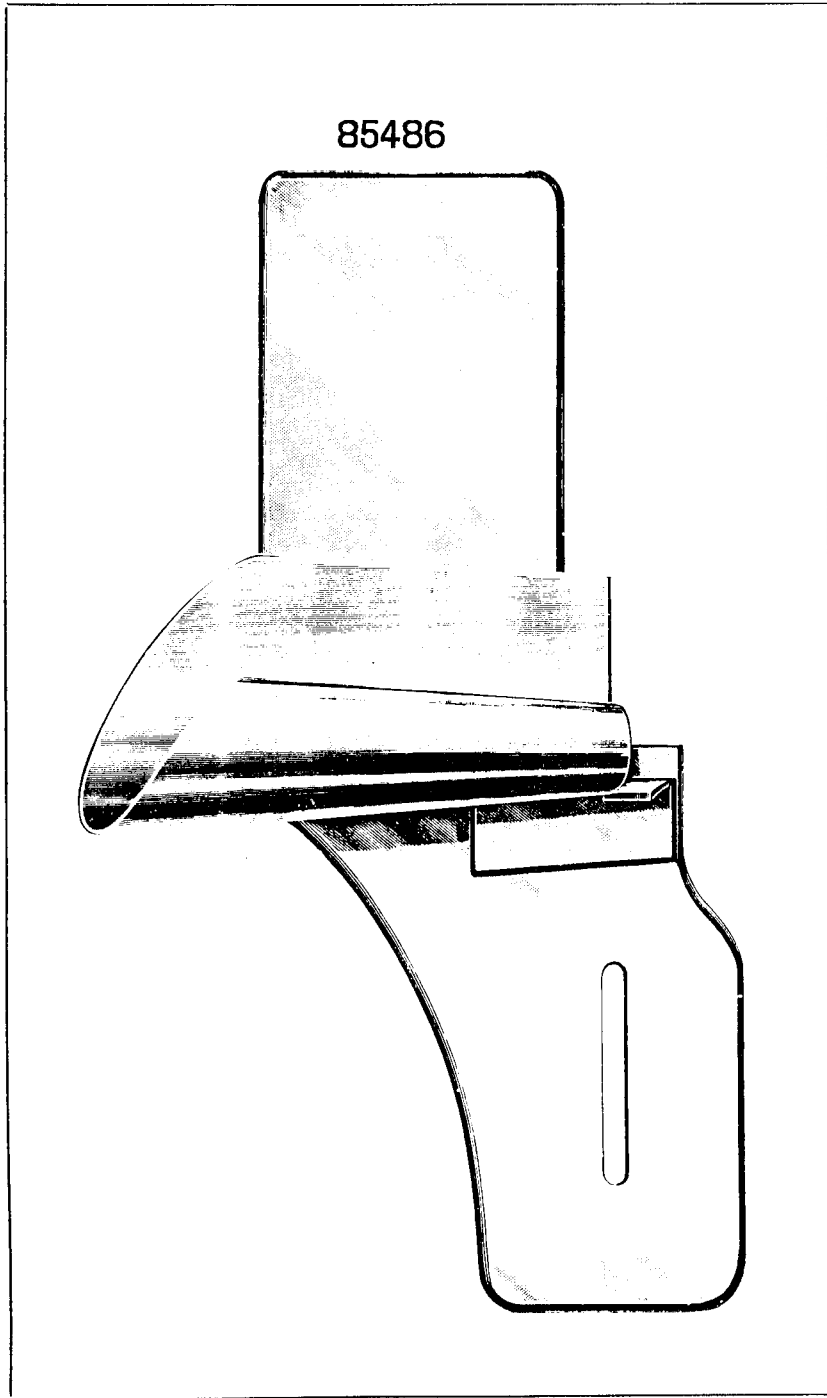


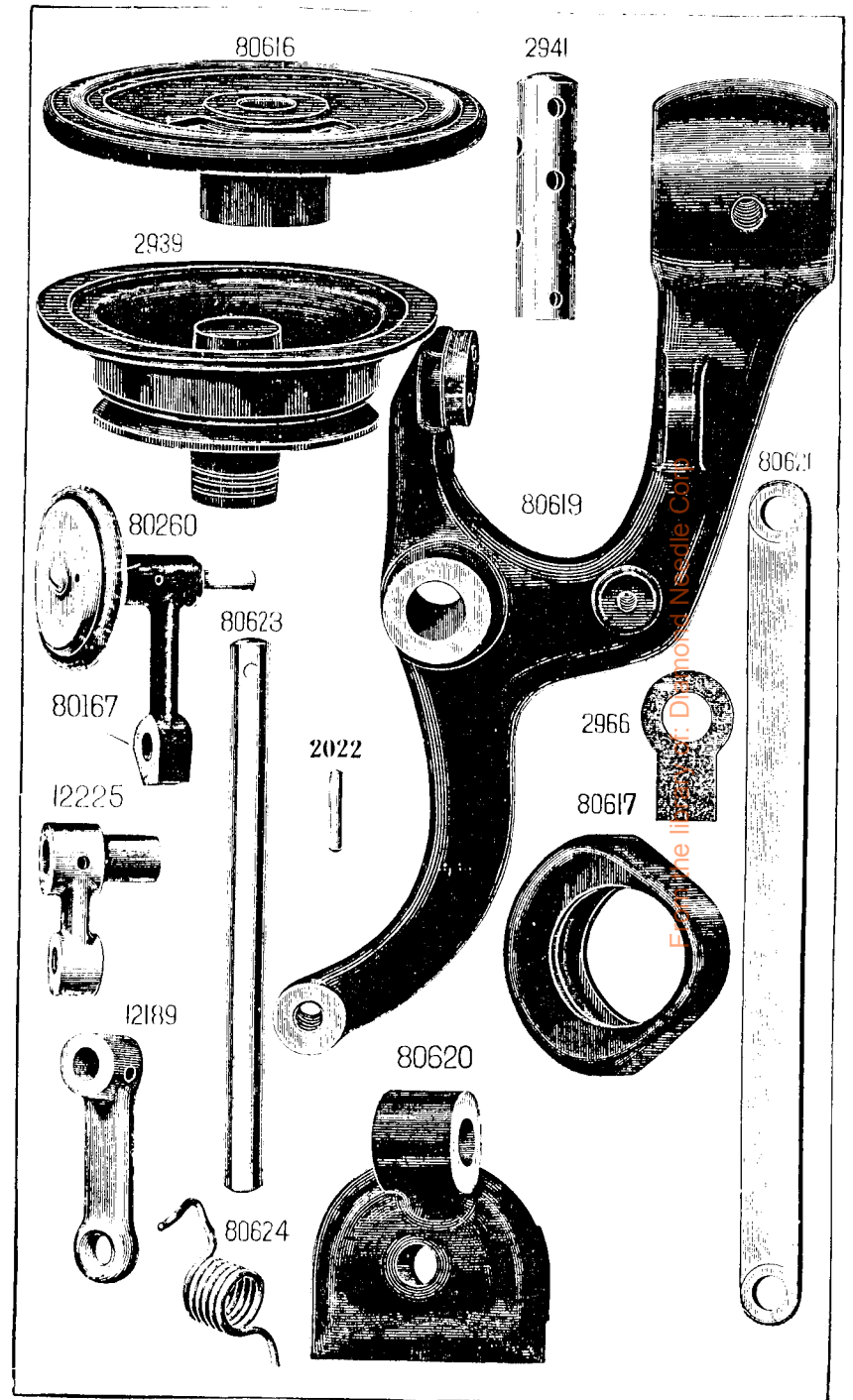
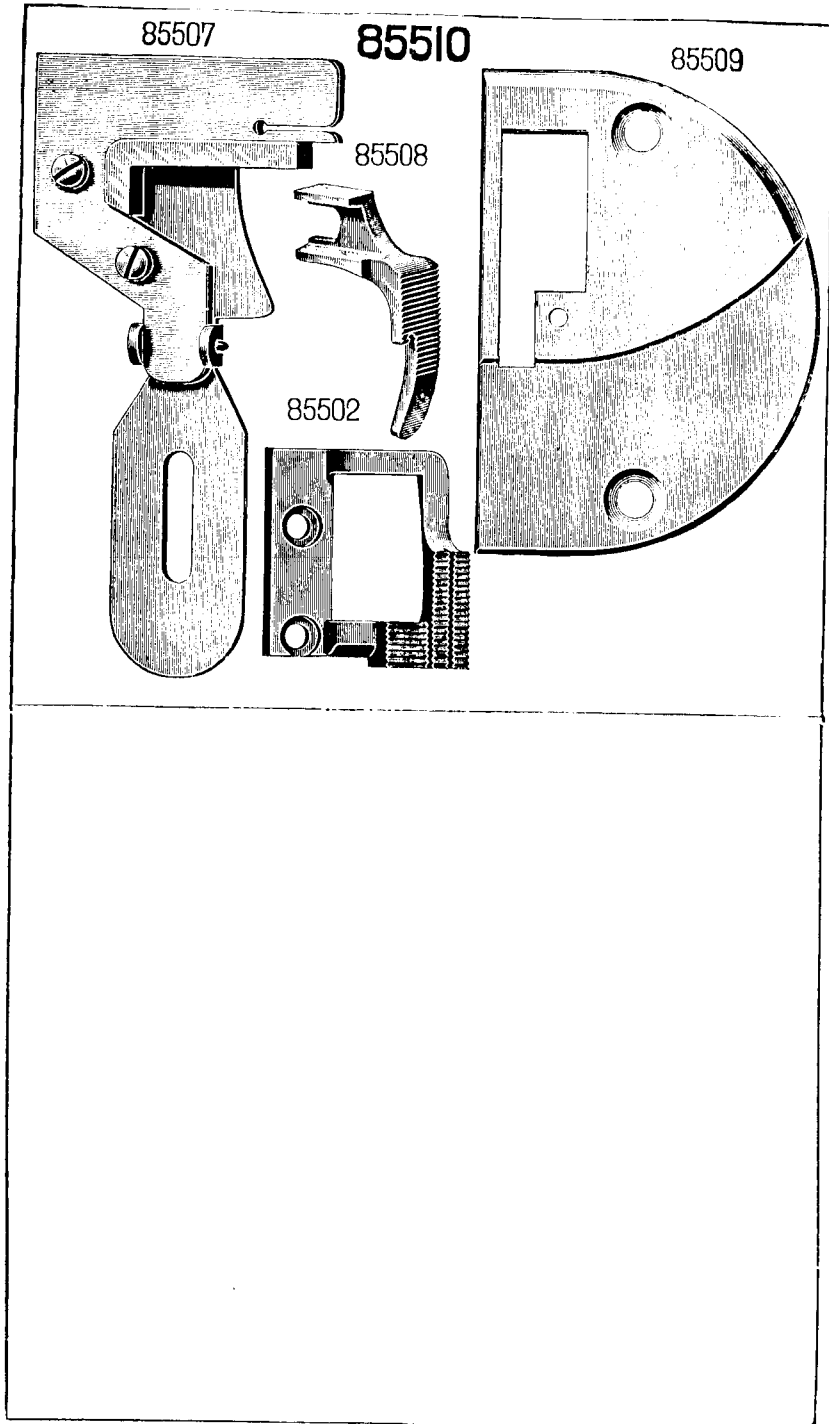
From the library of: Diamond Needle Corp

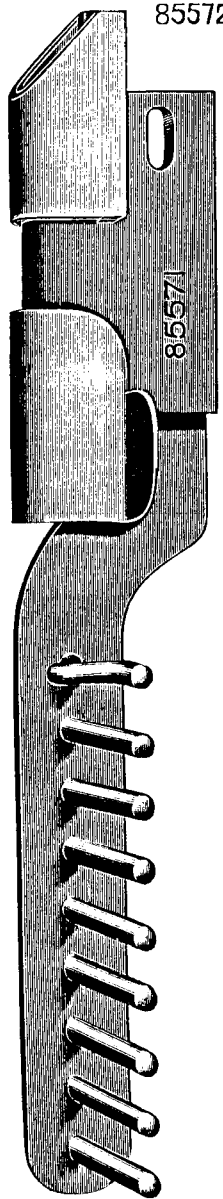




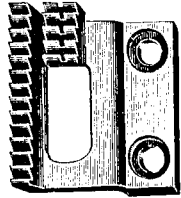
From the library of: Diamond Needle Corp



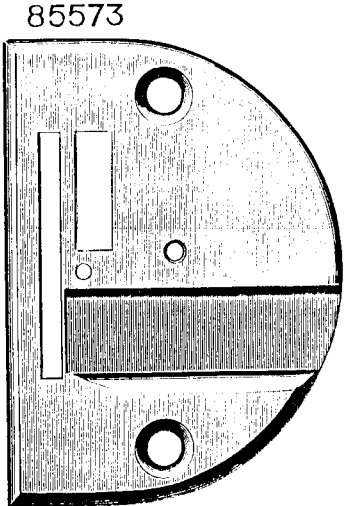




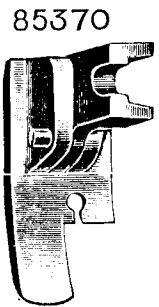
85574



85333



85573

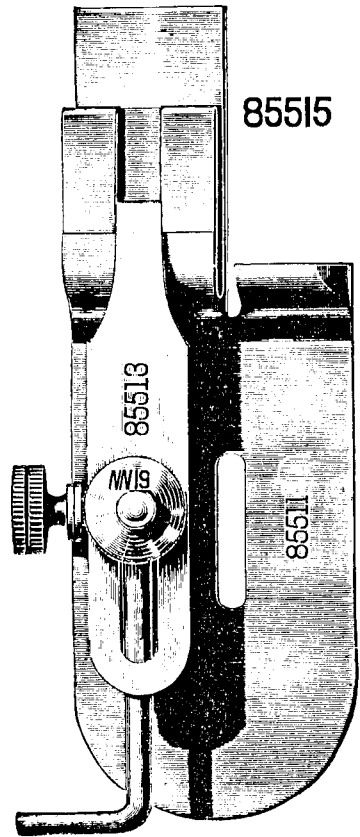


85370

85325



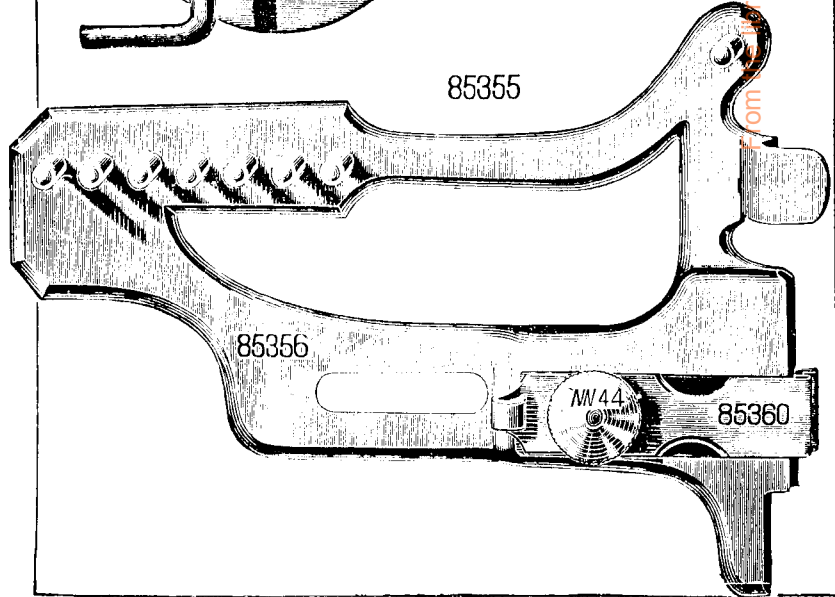
SS50



85515

85518

85511

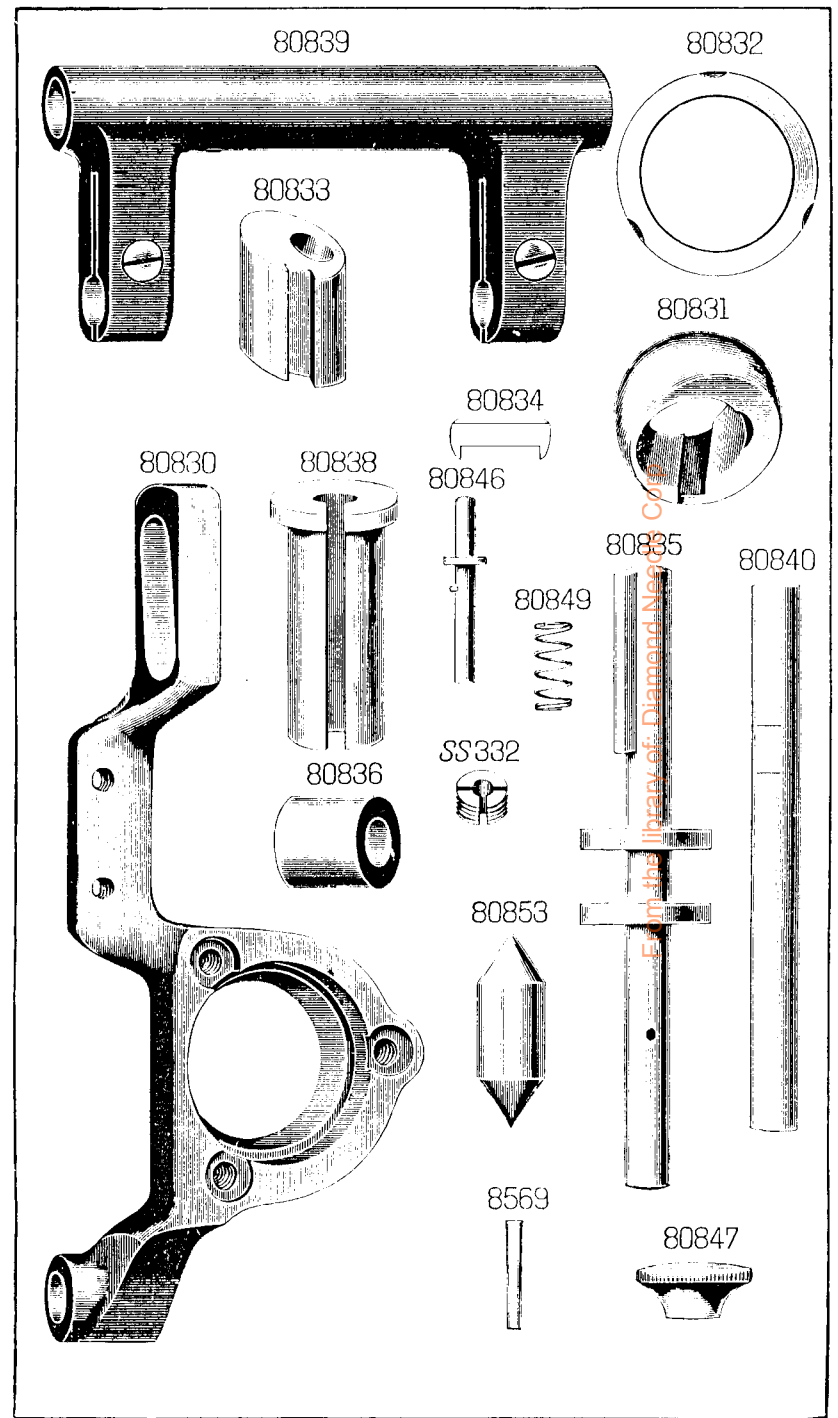
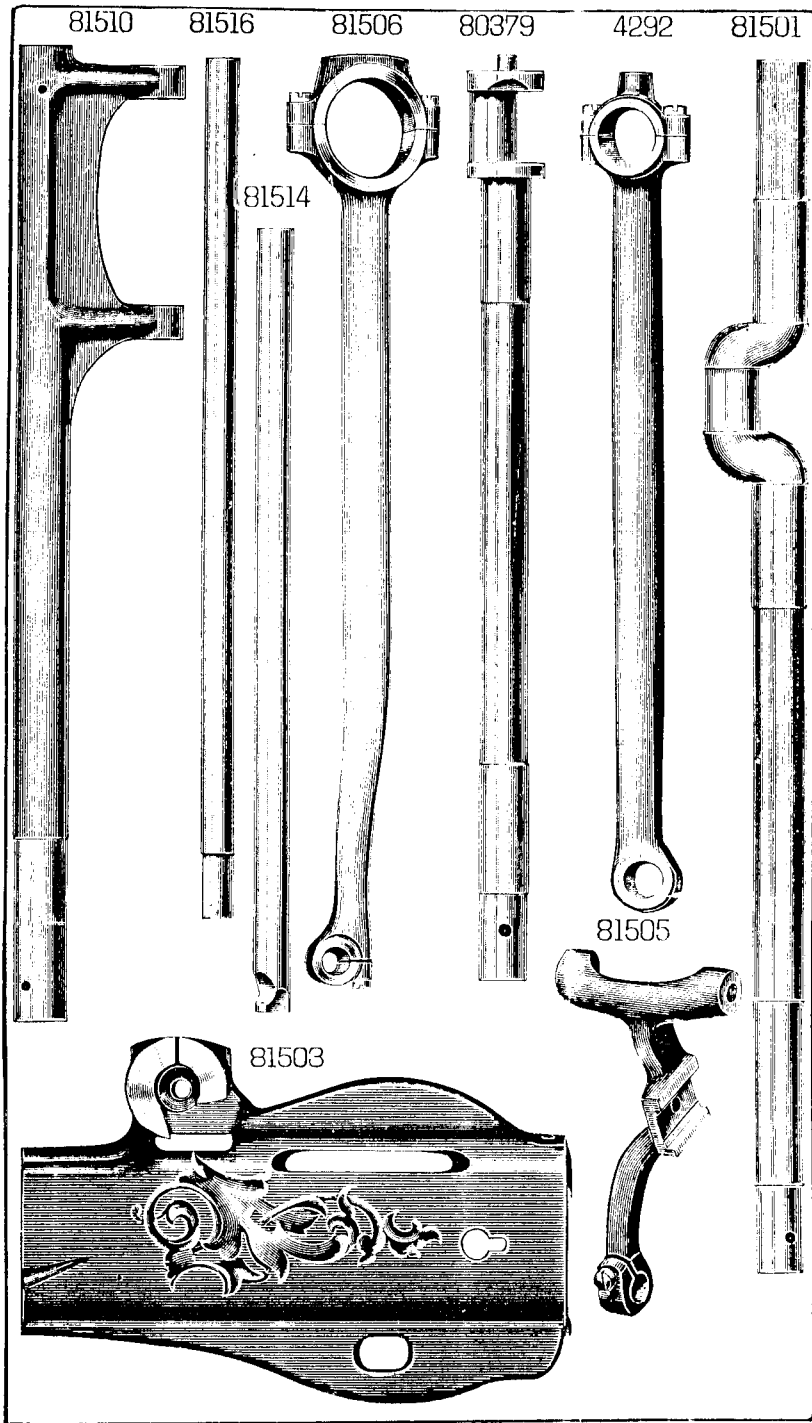


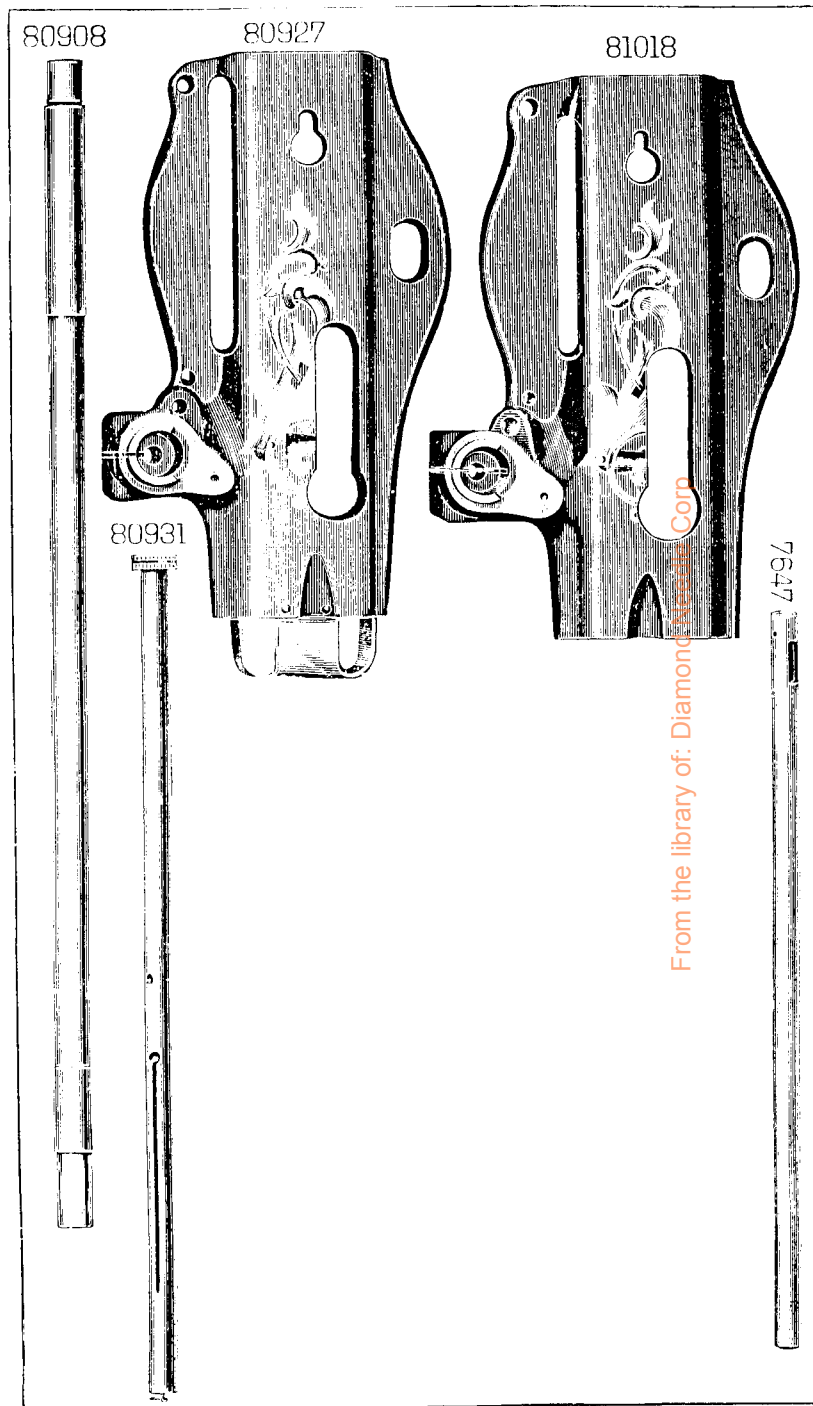
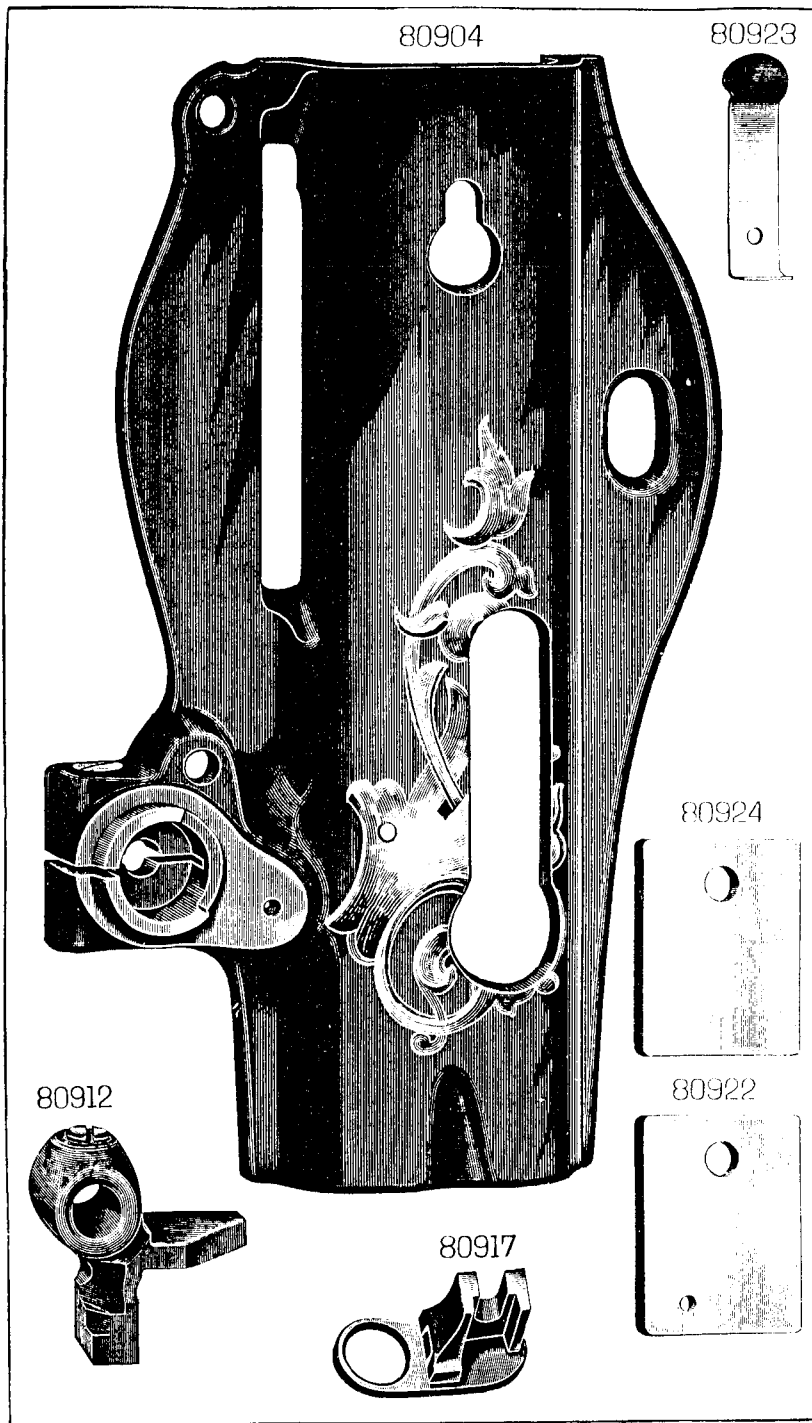
85355

85356

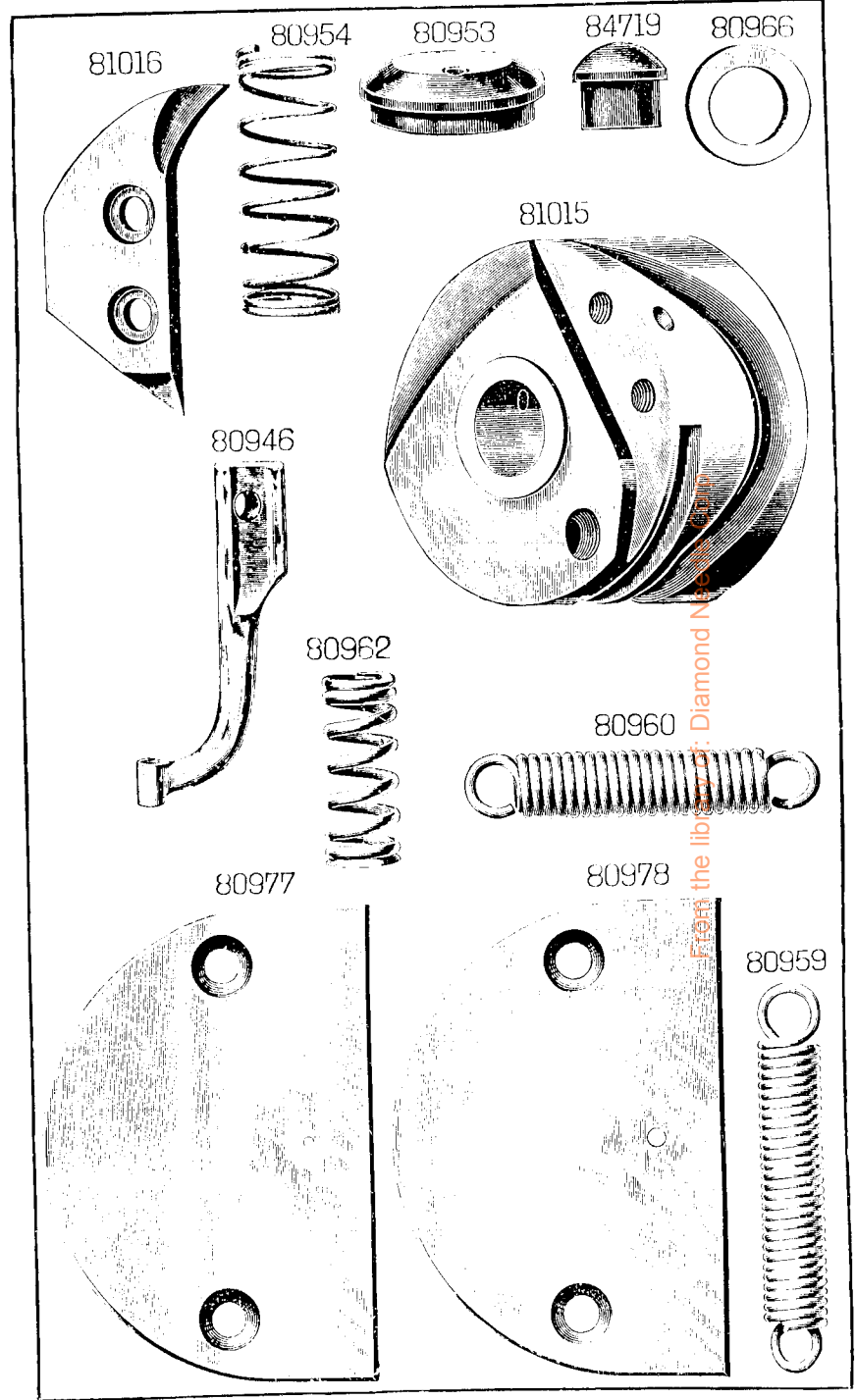
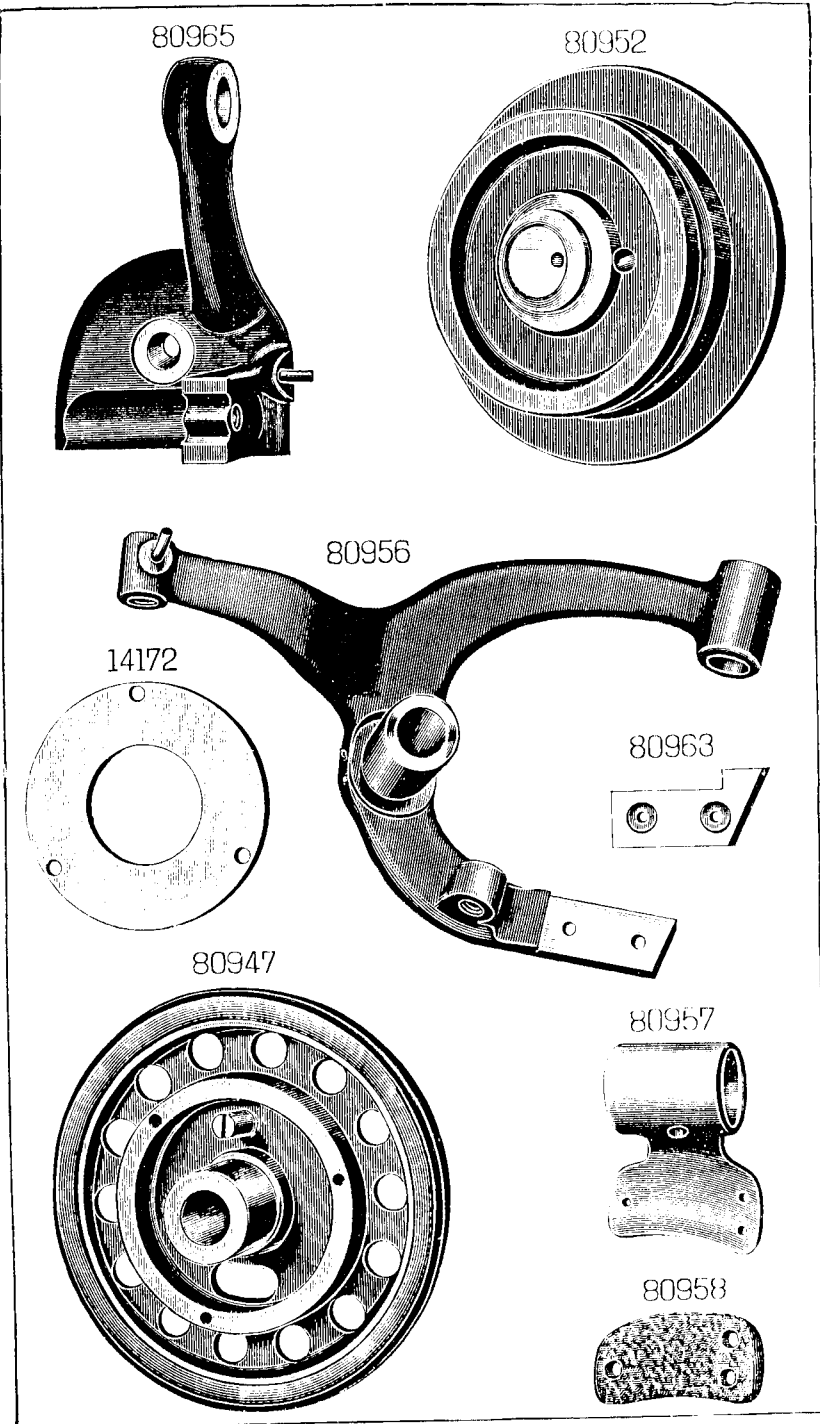
85360

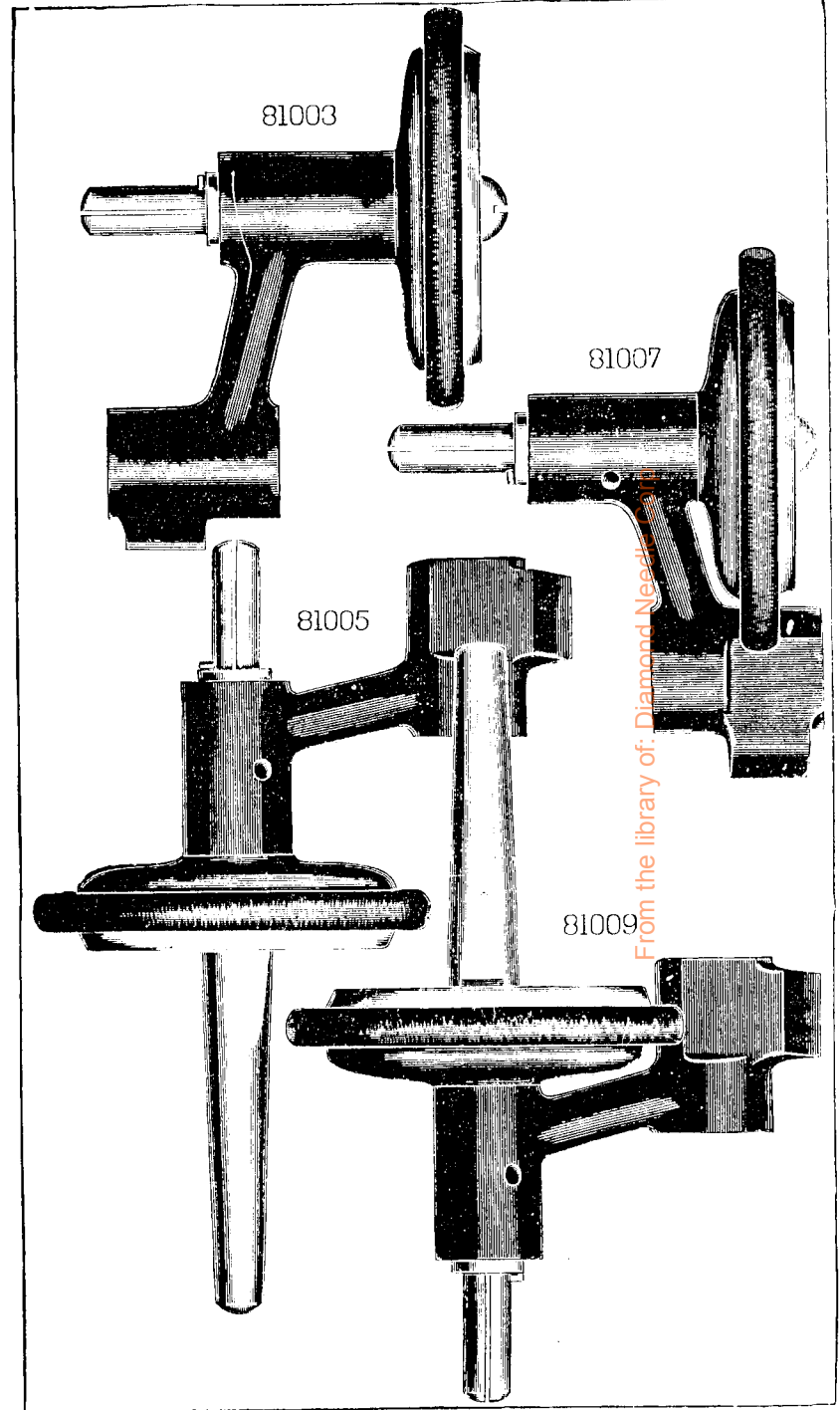
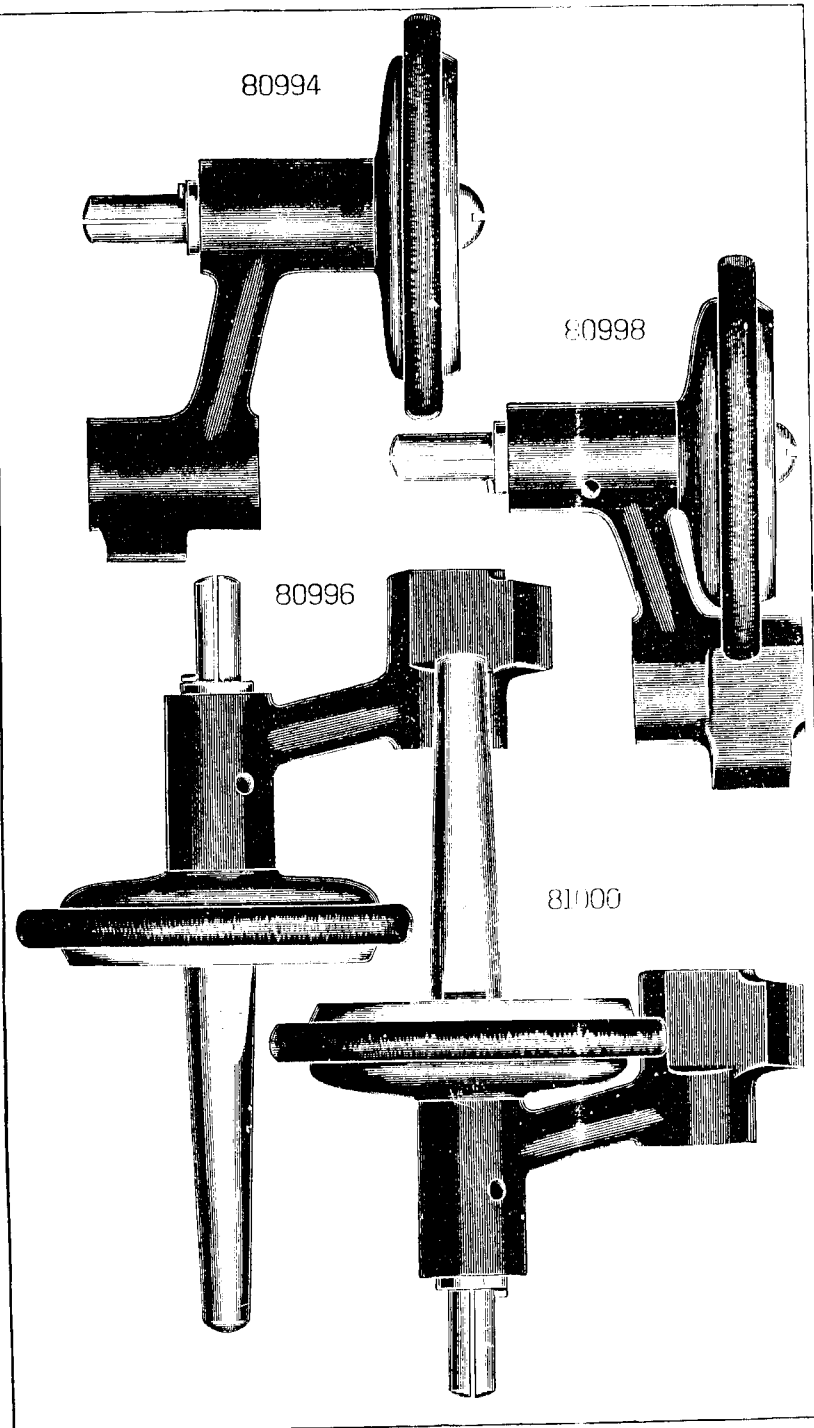
From Library of: Diamond Needle Corp





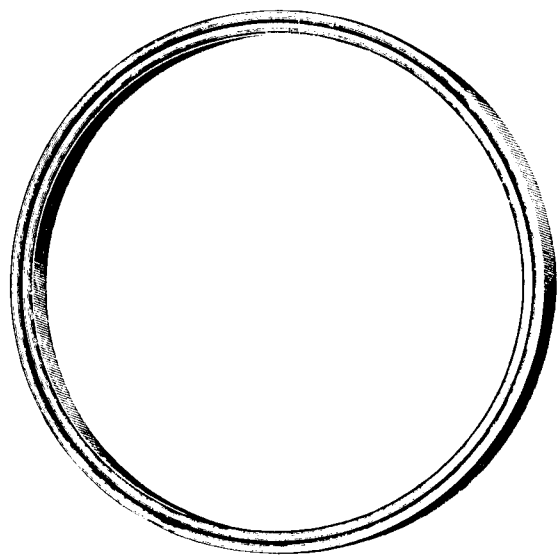
From the library of: Diamond Firearms Corp



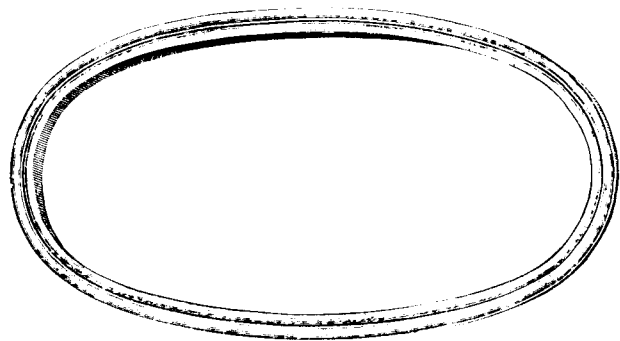


From the library of: Diamond Needle Co.

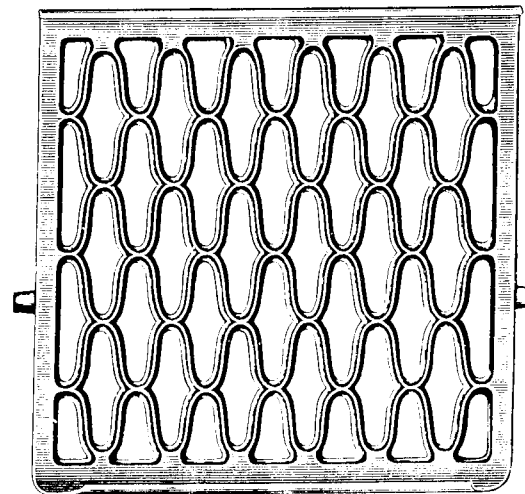
87589



96422

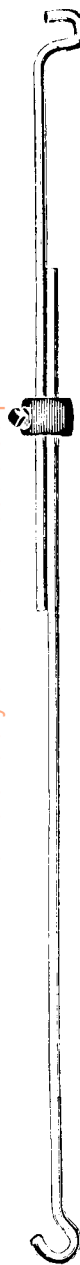


80250

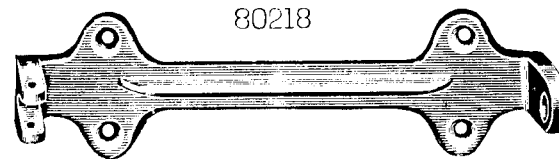


80220

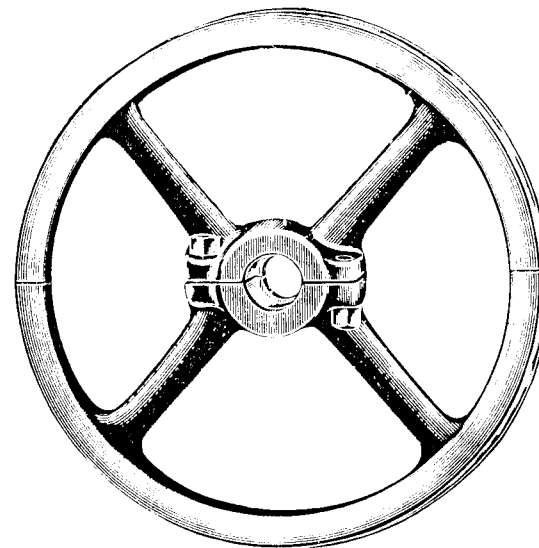
From the library of: Diamond Needle Corp



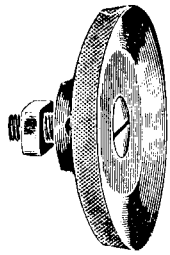
80218



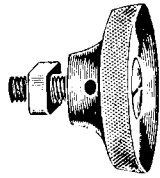
84275



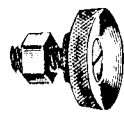
1839



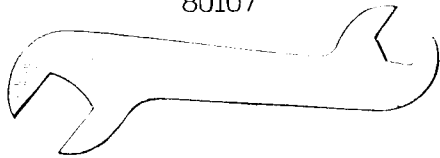
1842



1843



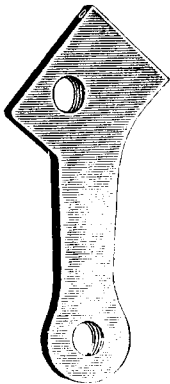
80107



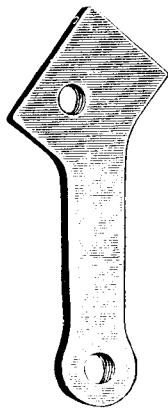
82462



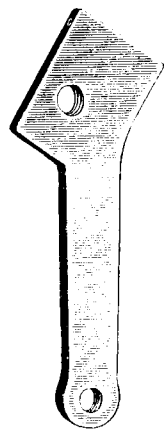
2204



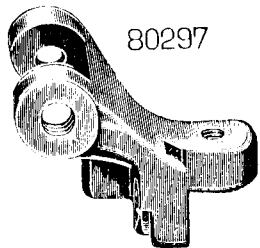
2203



2202



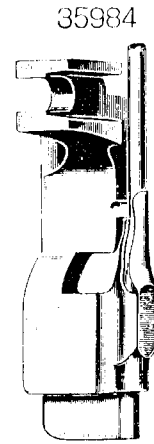
80297



80106

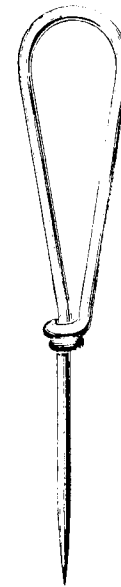


35985



35984

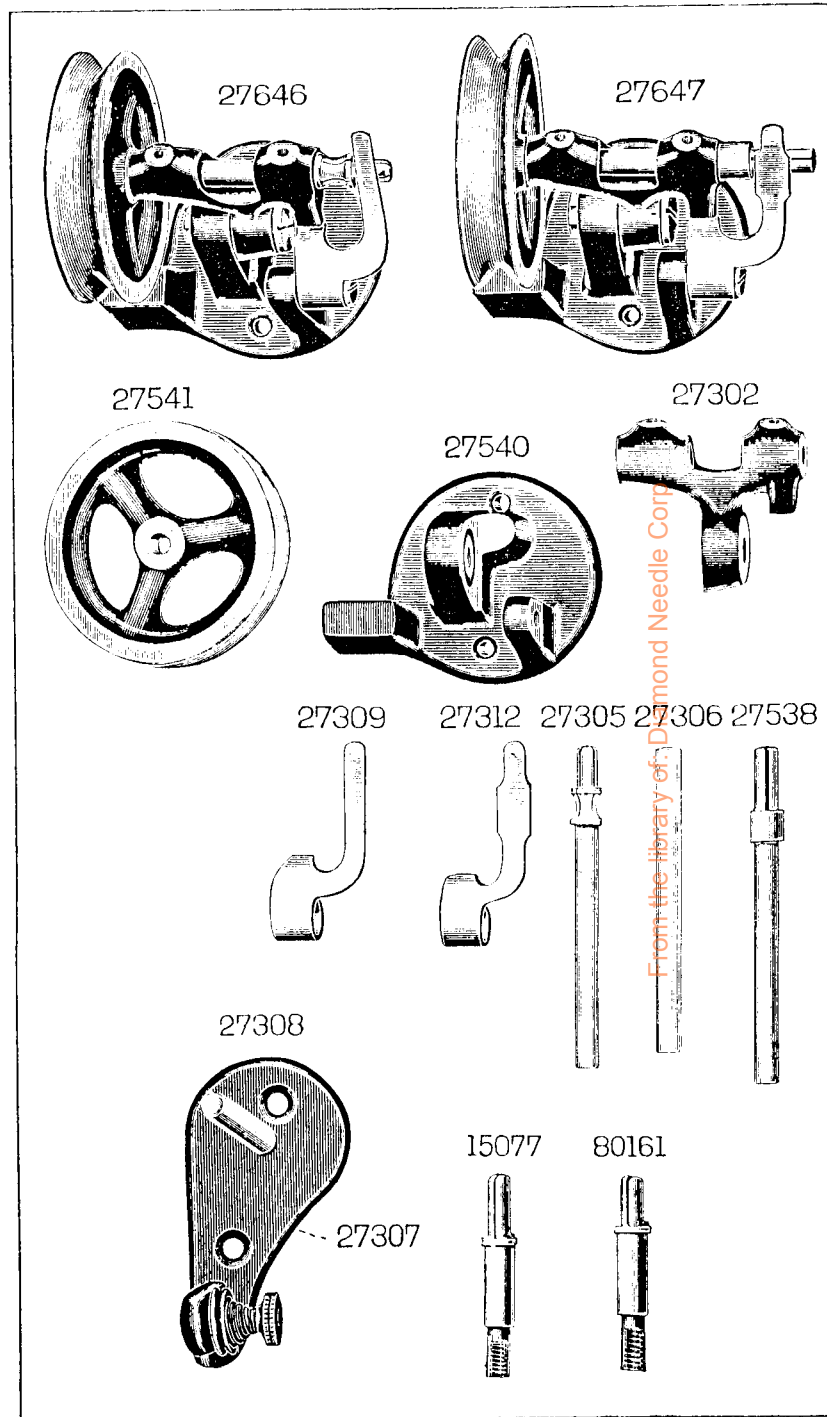
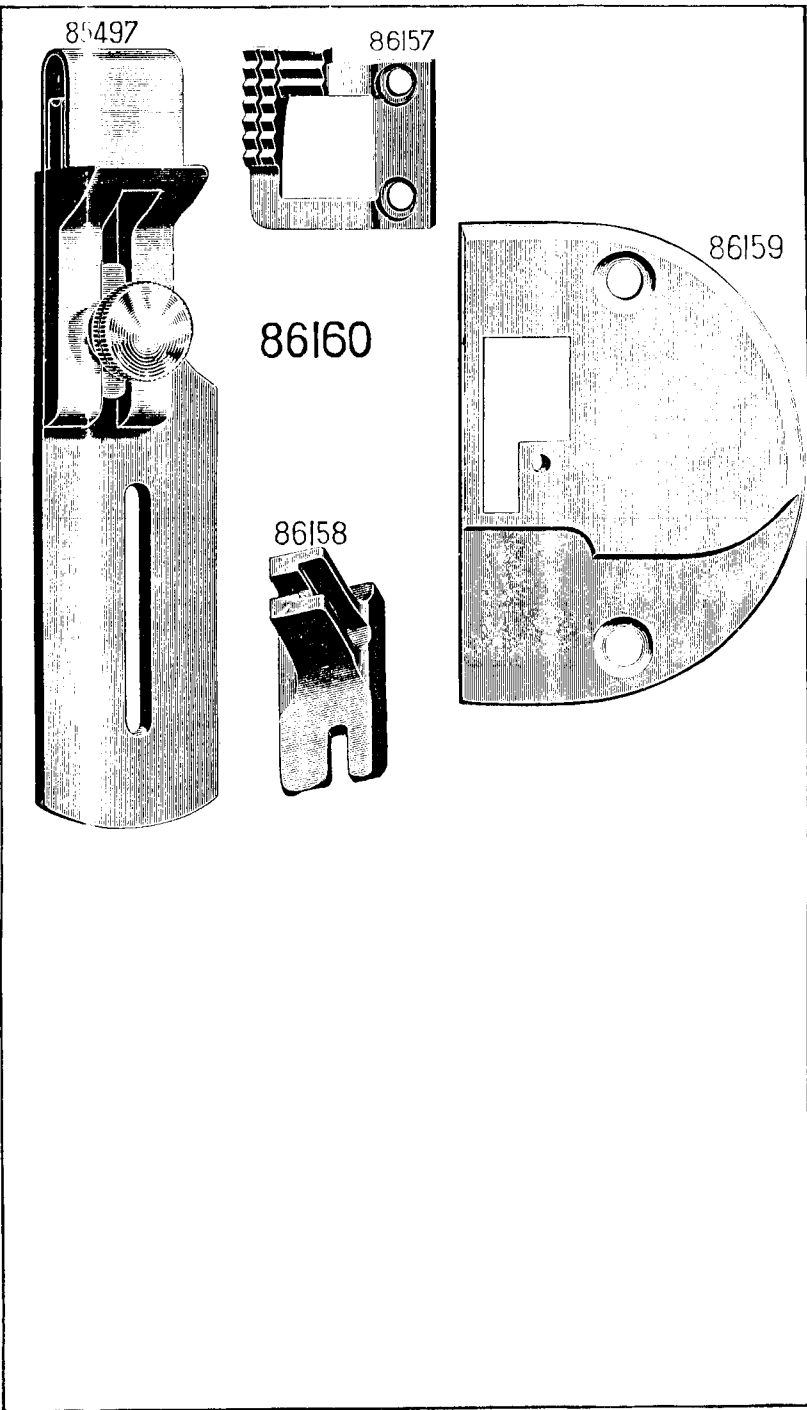
25539



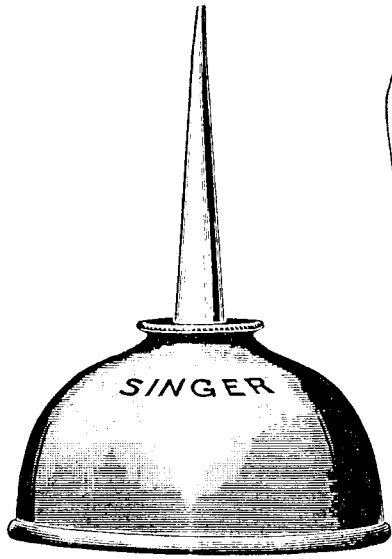
35983



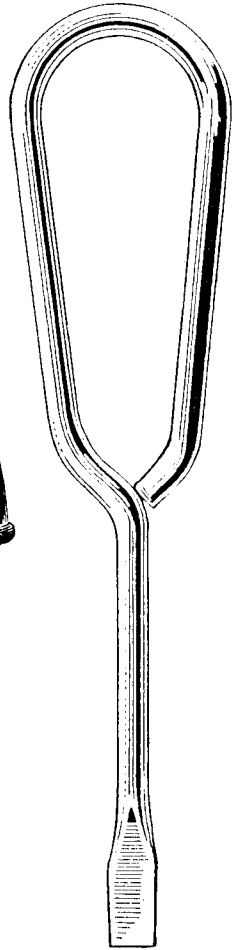
From the library of: Diamond Needle Corp



36569



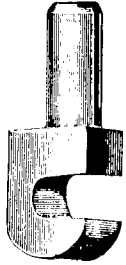
25537



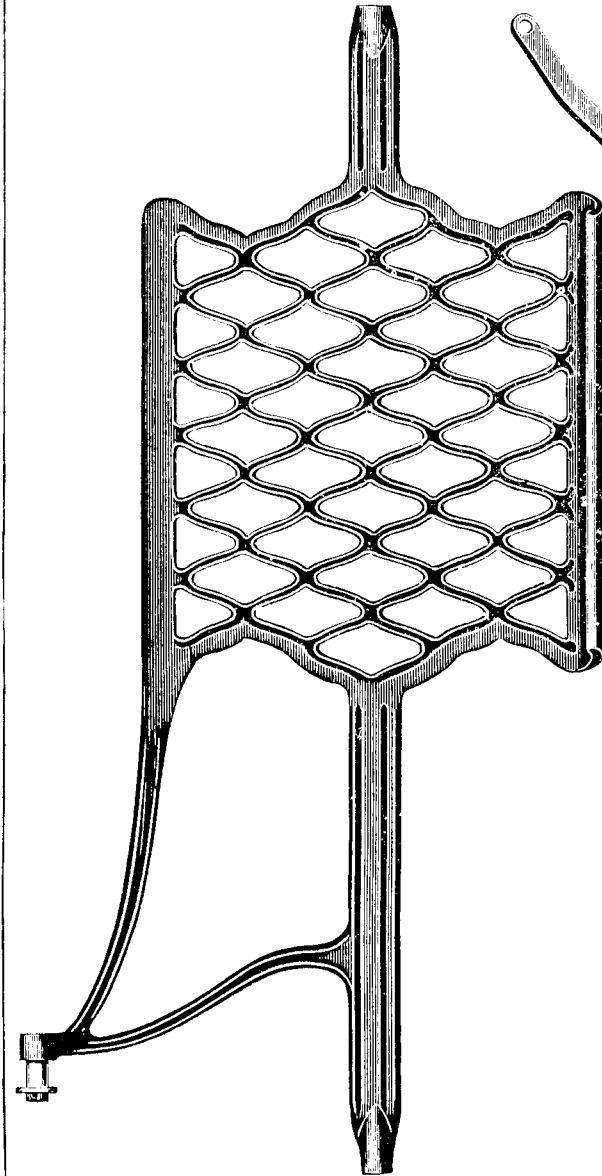
120378



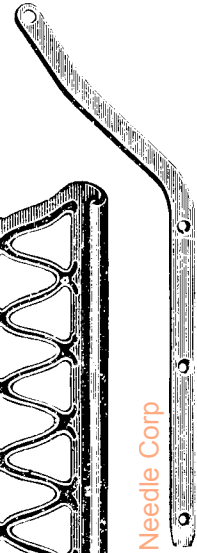
12361



82767



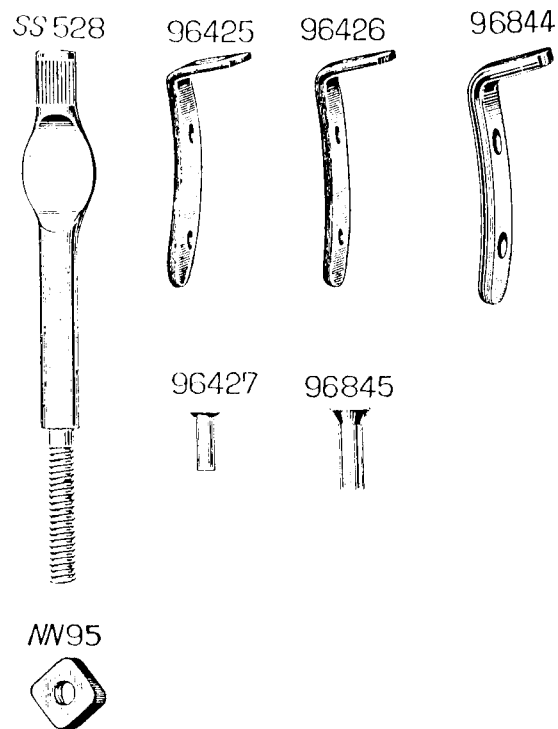
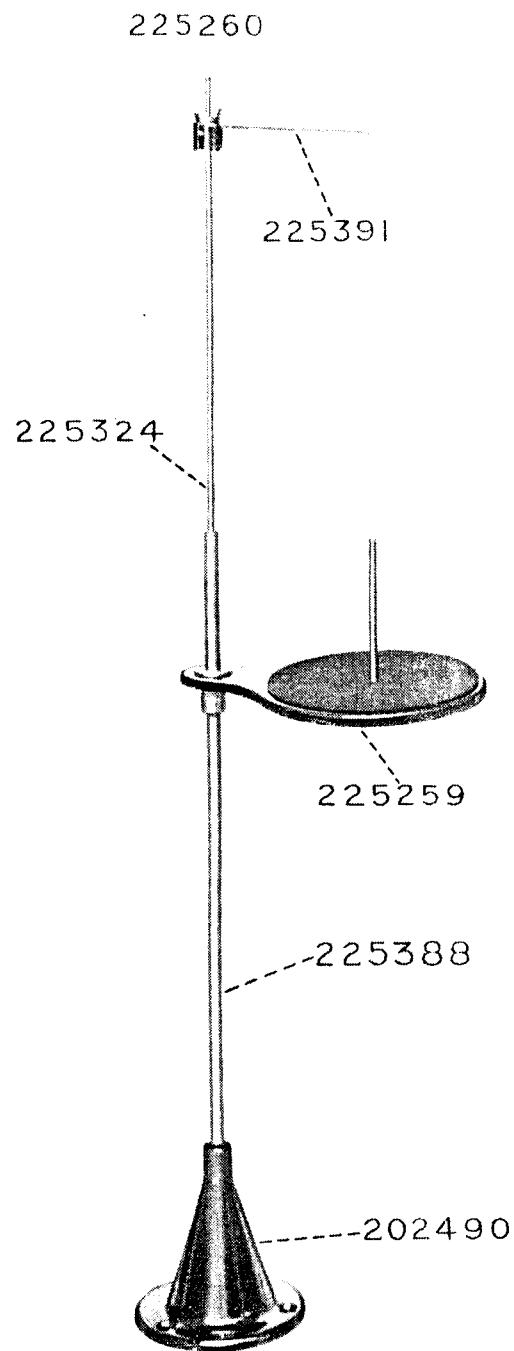
88995



88994



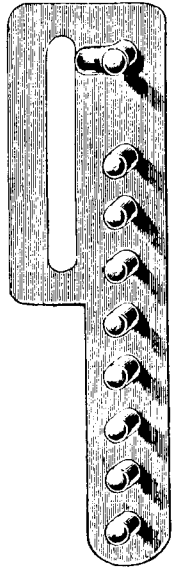
From the library of: Diamond Needle Corp



From the library of: Diamond Needle Corp

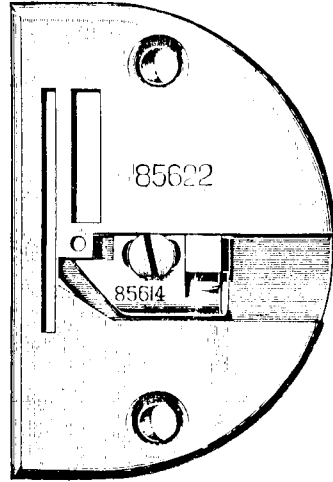
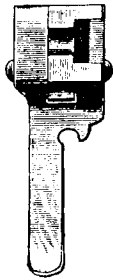
85623

85321



85621

85618

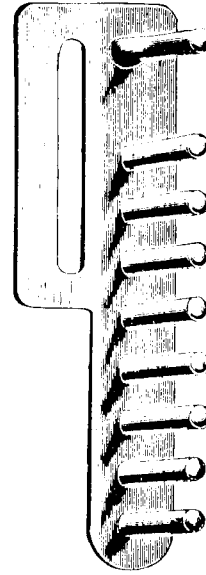


85622

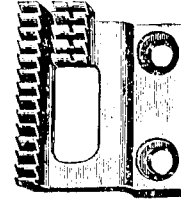
85614

85331

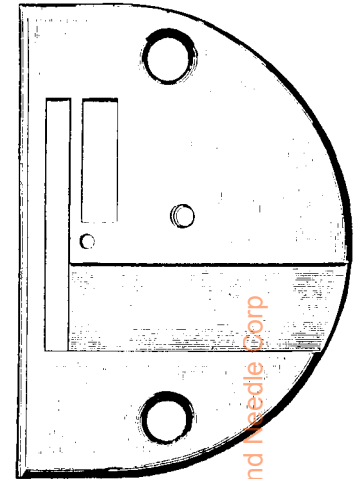
85321



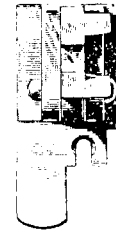
85333



85332

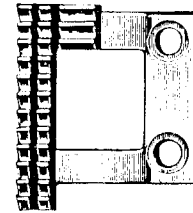


85327



85344

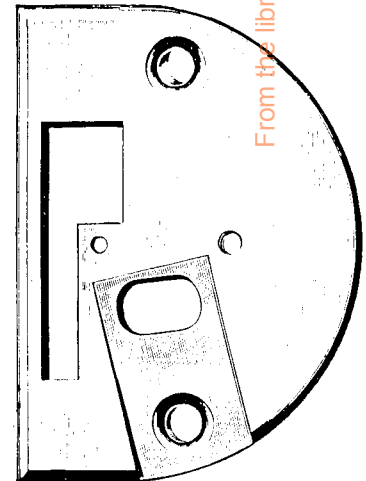
85345



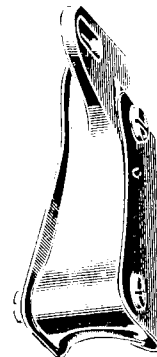
85343



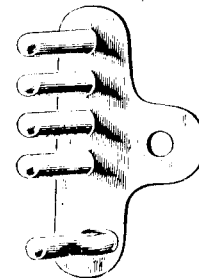
85346



85335

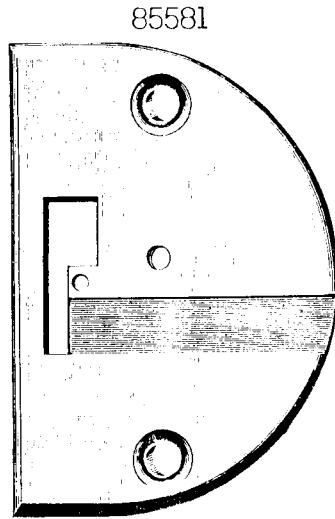
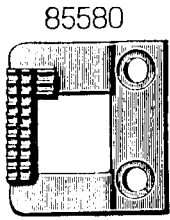
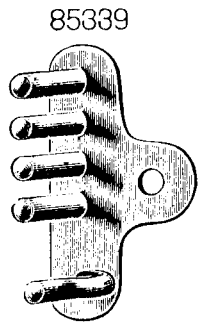


85339

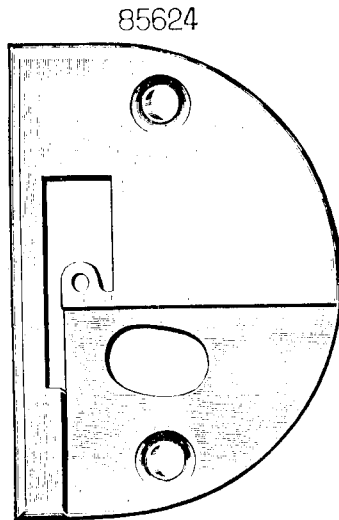
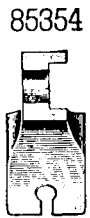
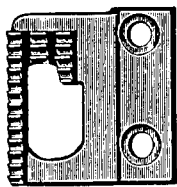
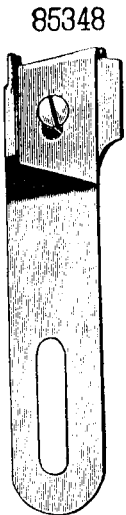


From the library of: Diamond Needle Corp.

85582

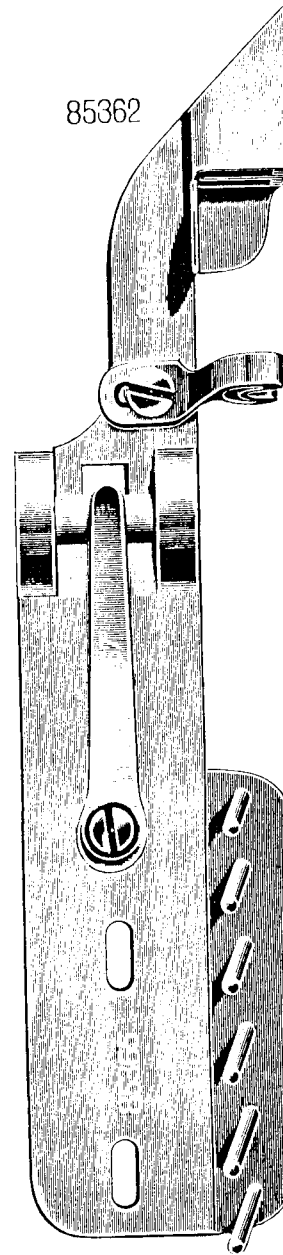


85625



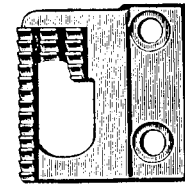
85456

85362

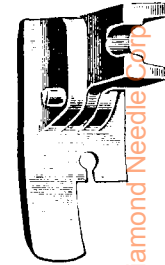


85364

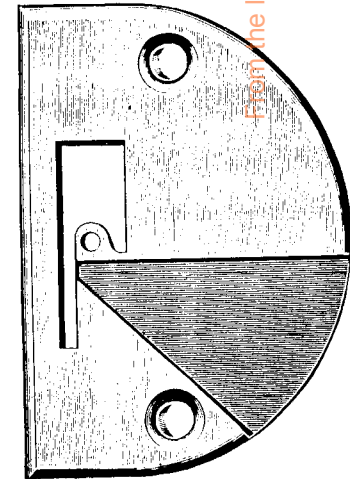
85454



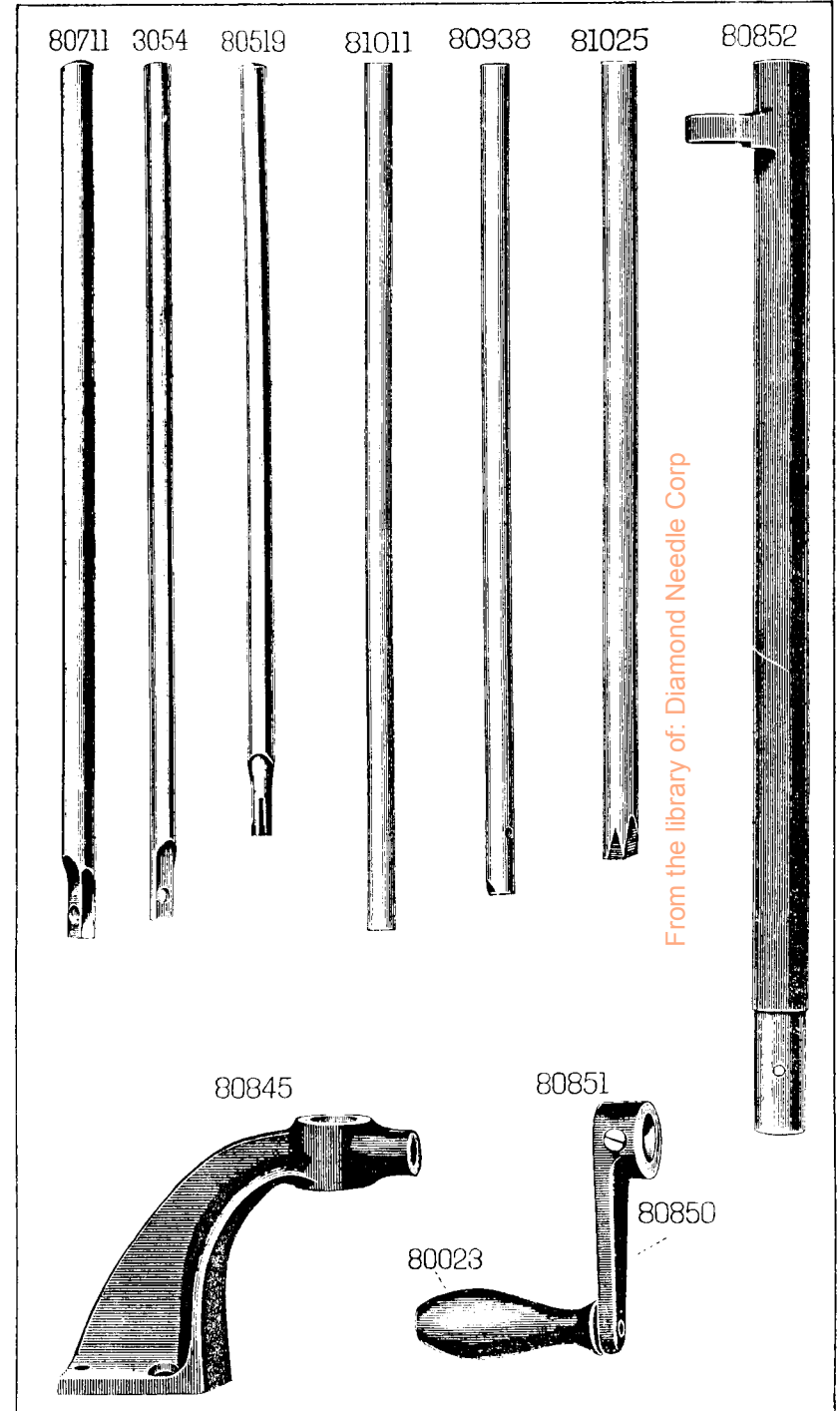
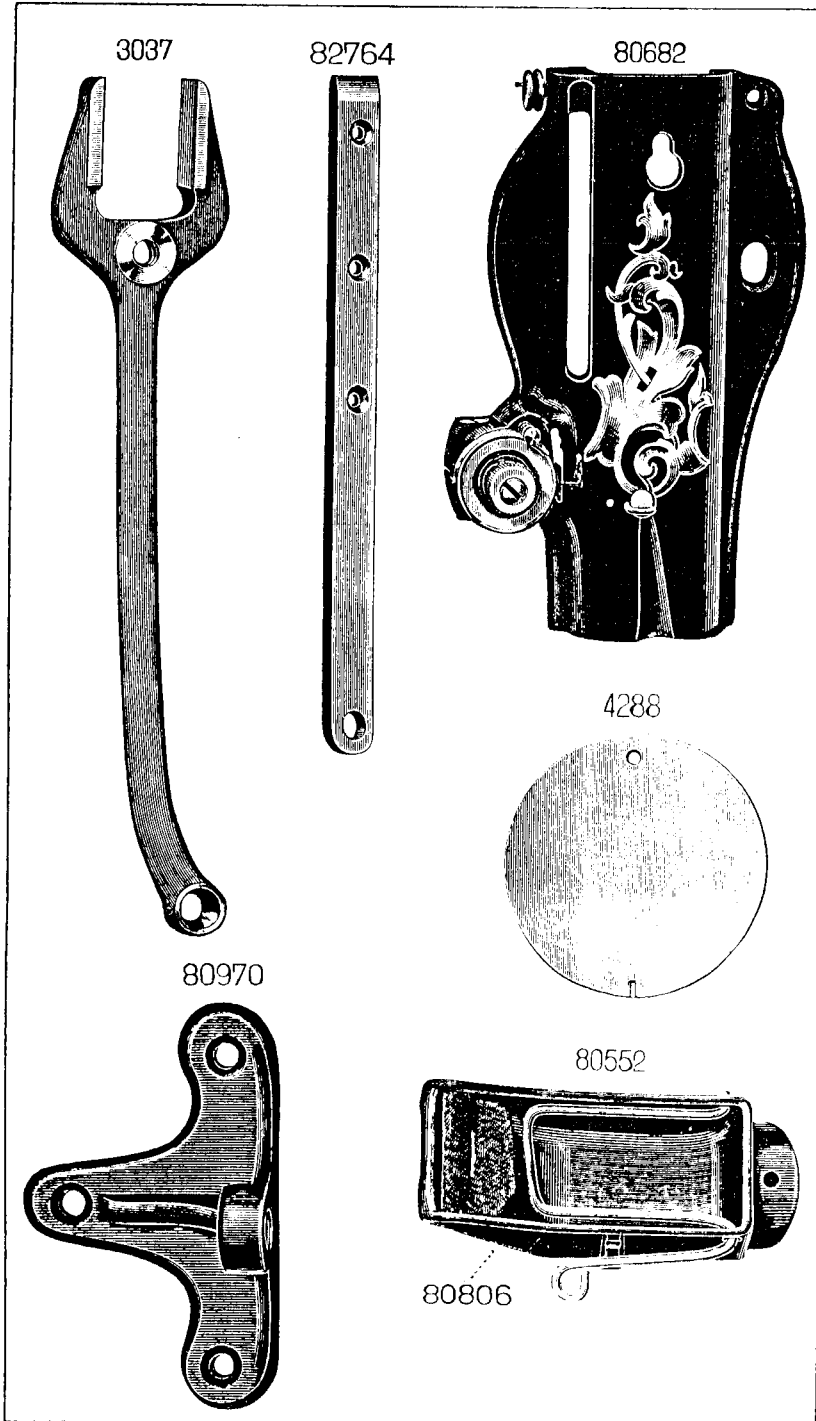
85370

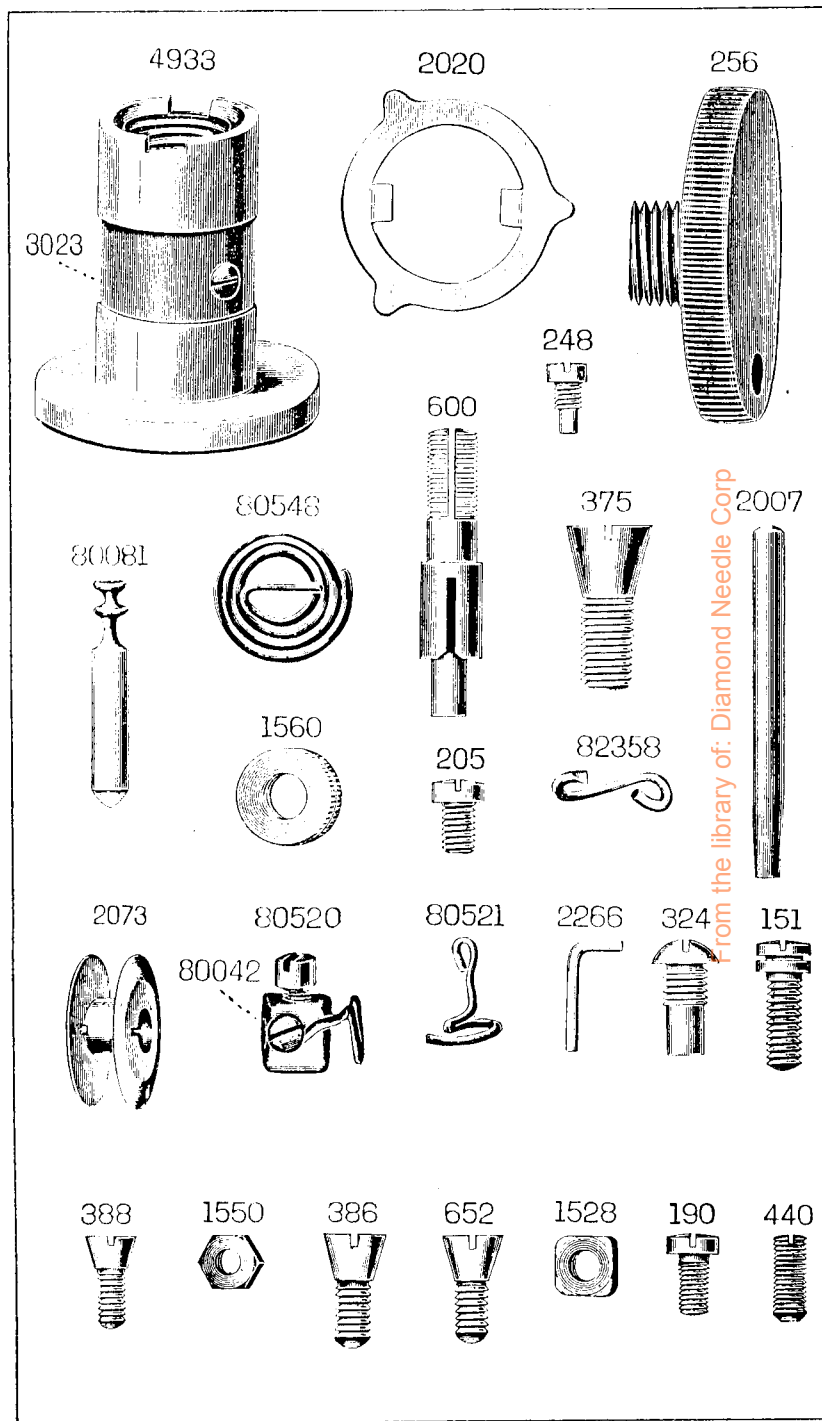
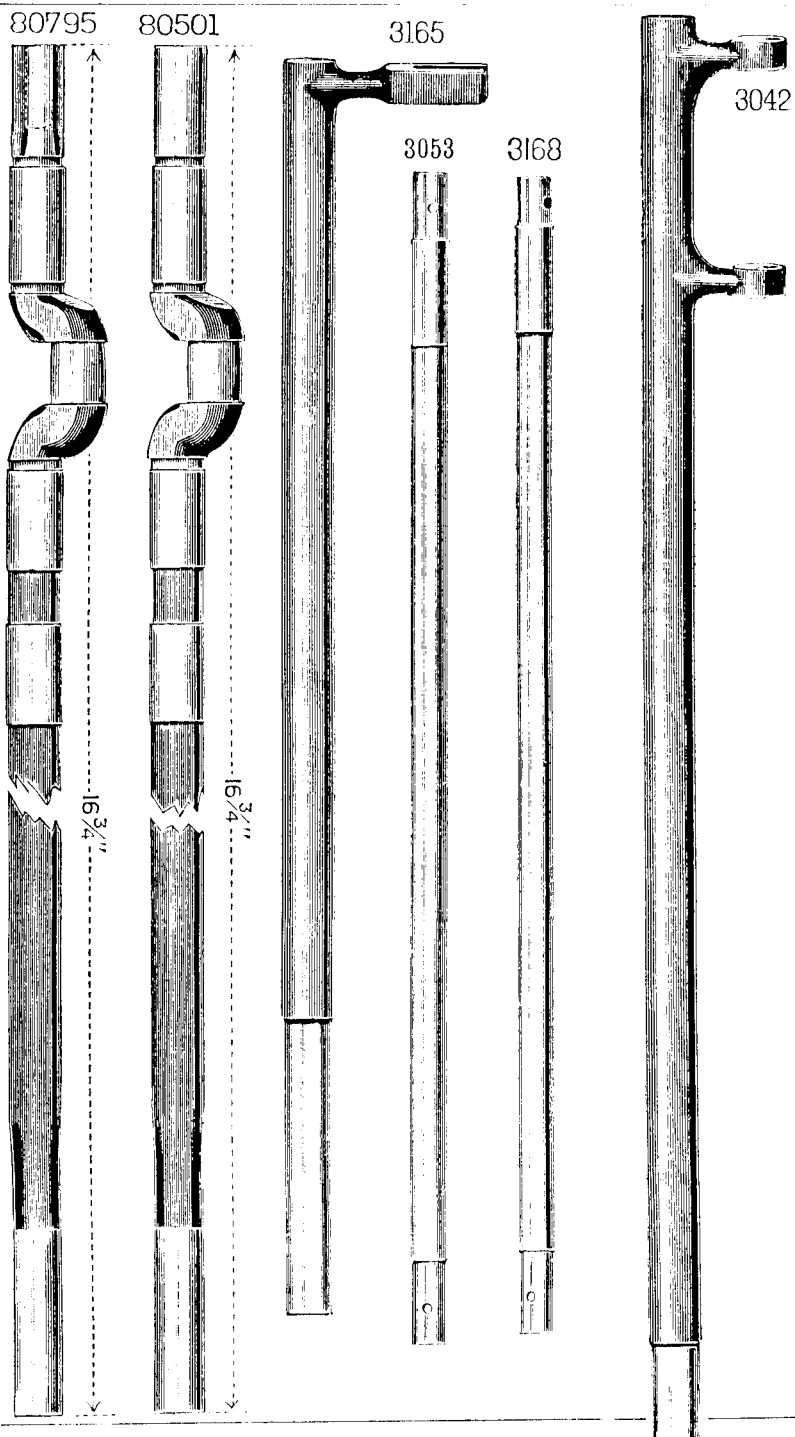


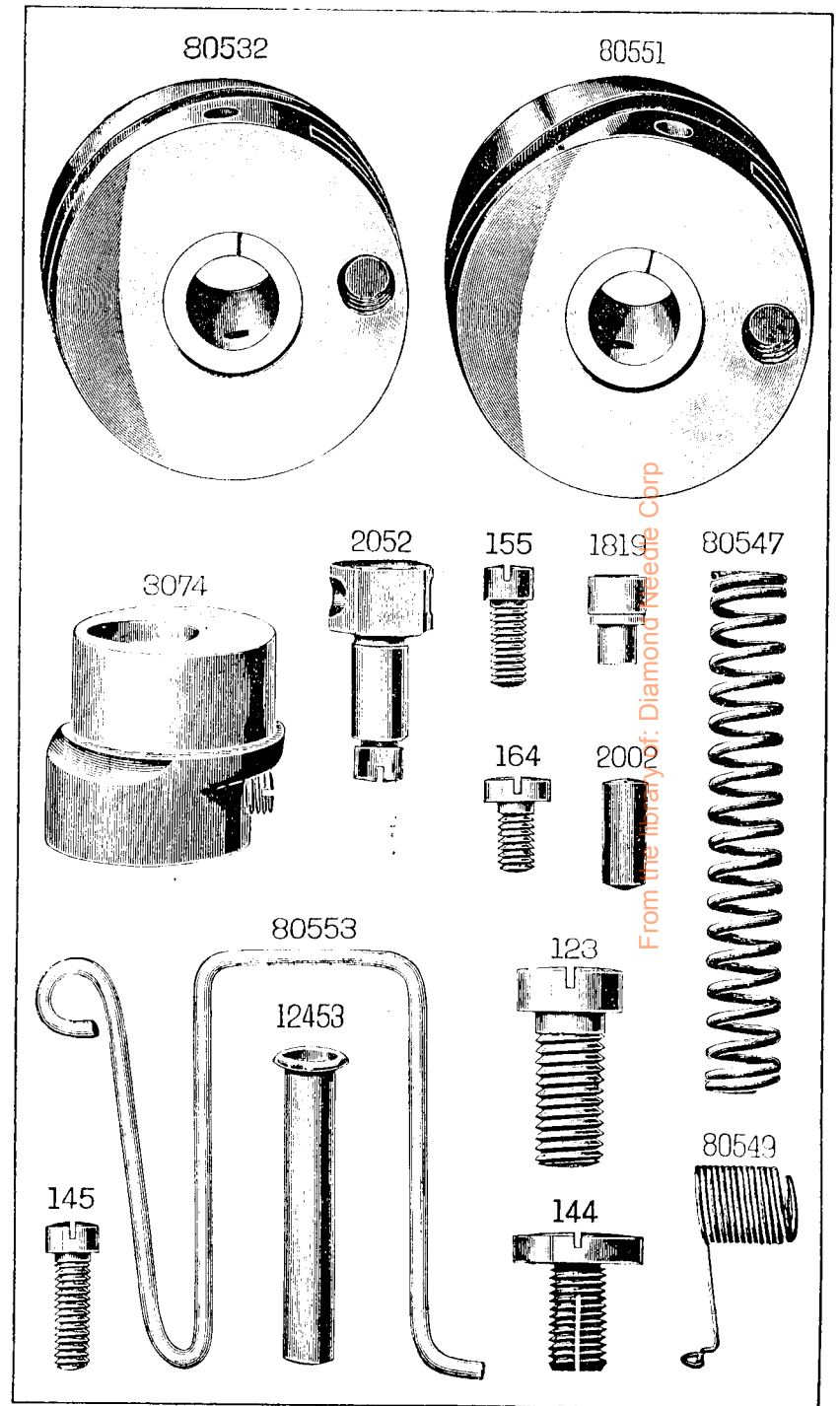
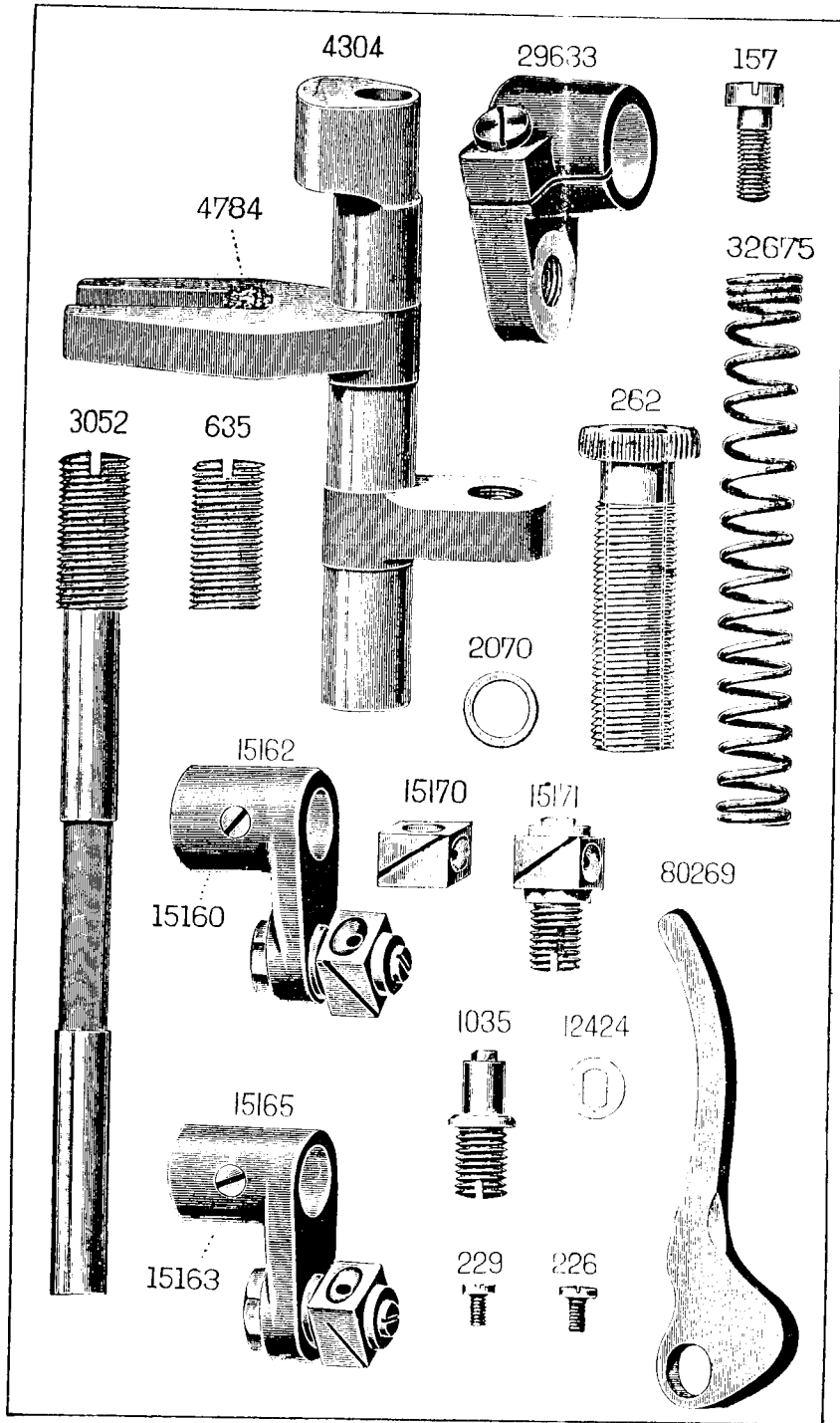
85455



From the library of: Diamond Needle Corp

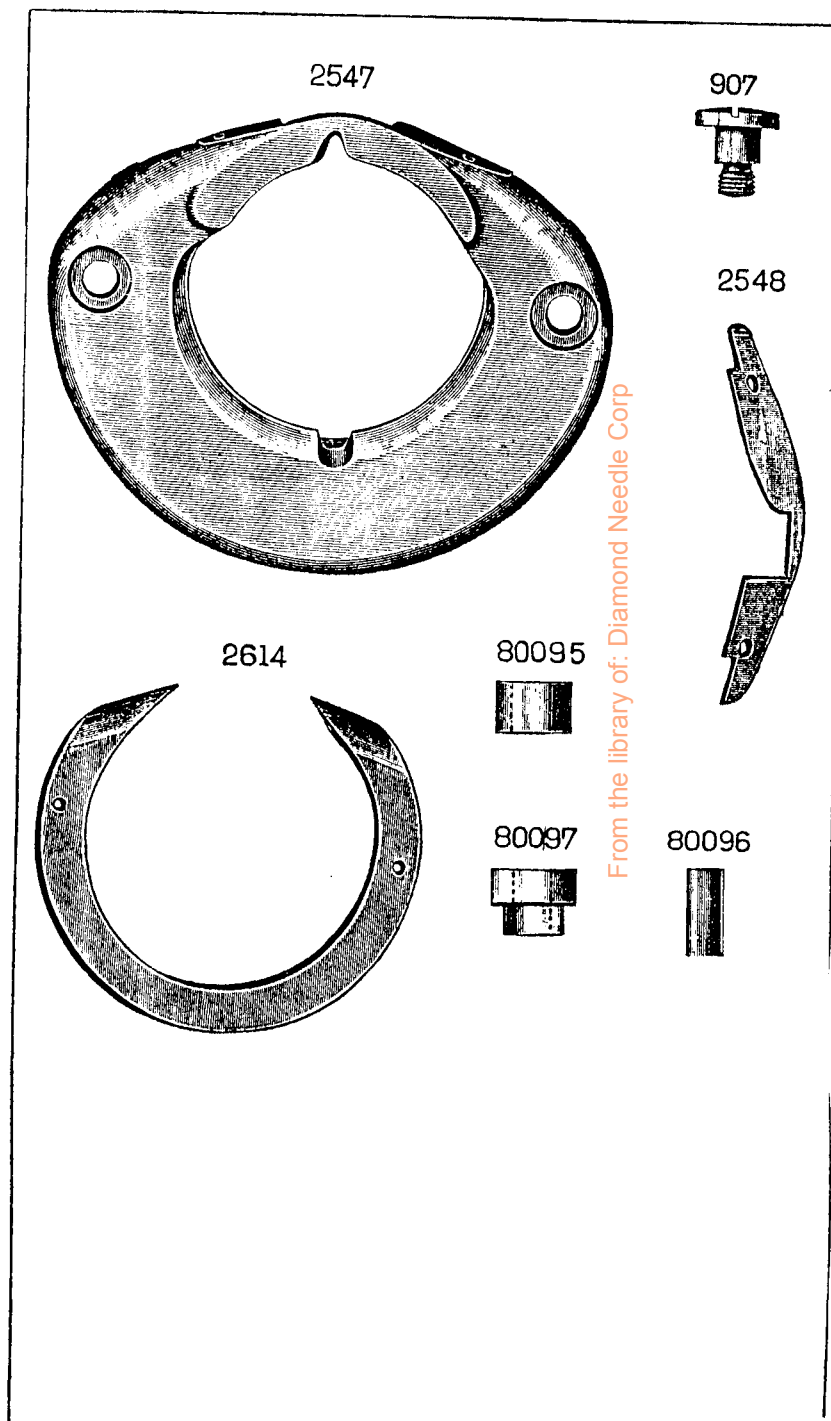
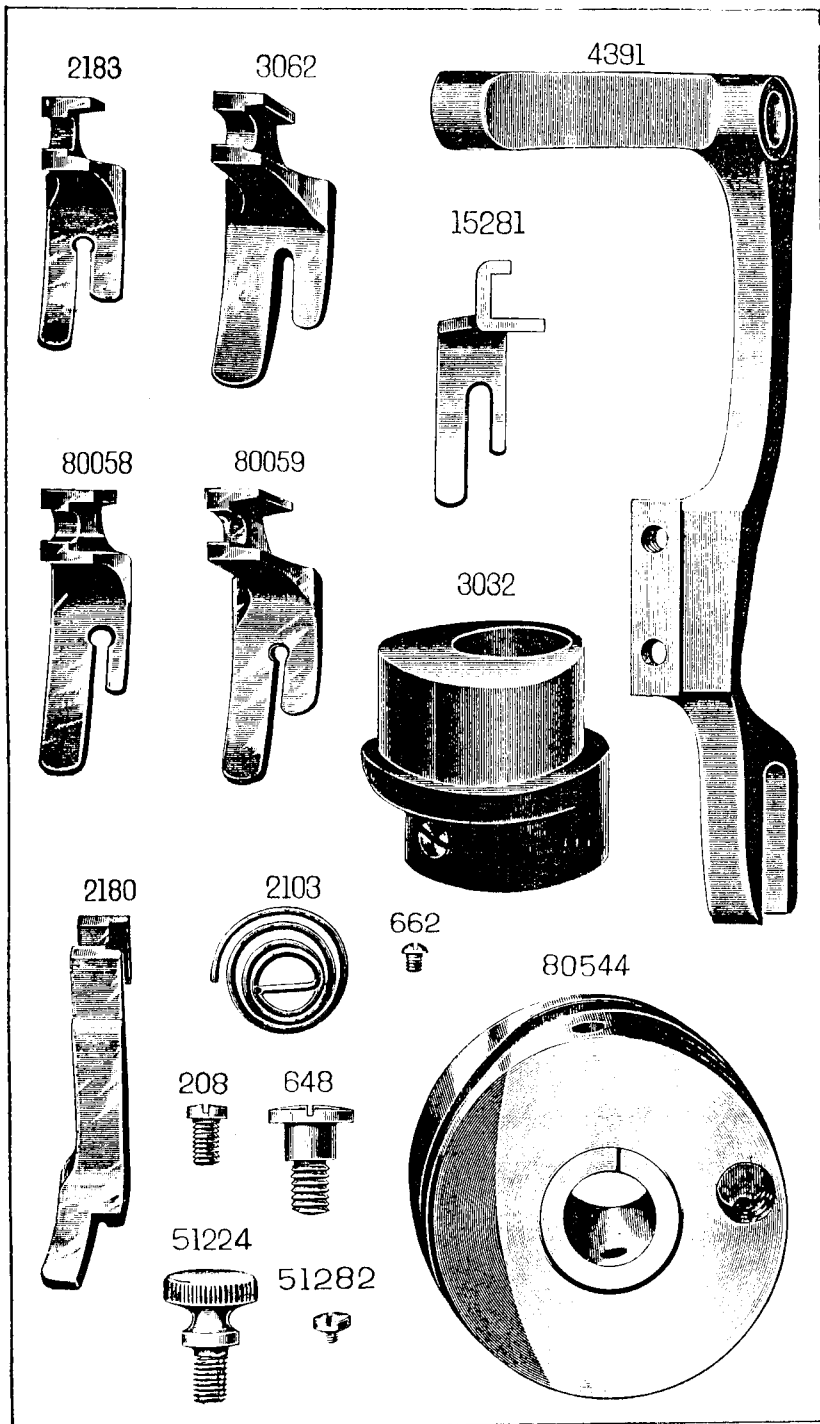


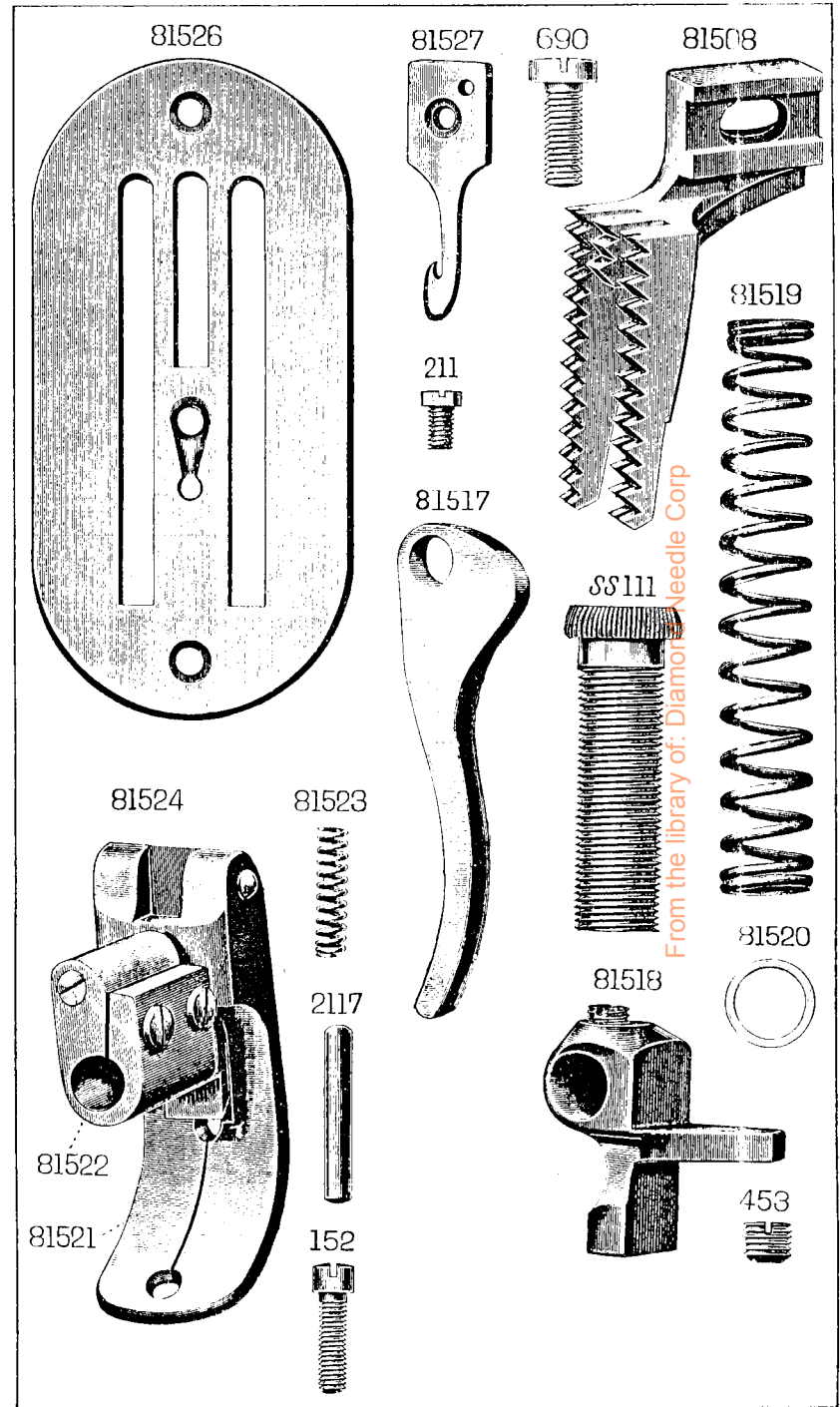
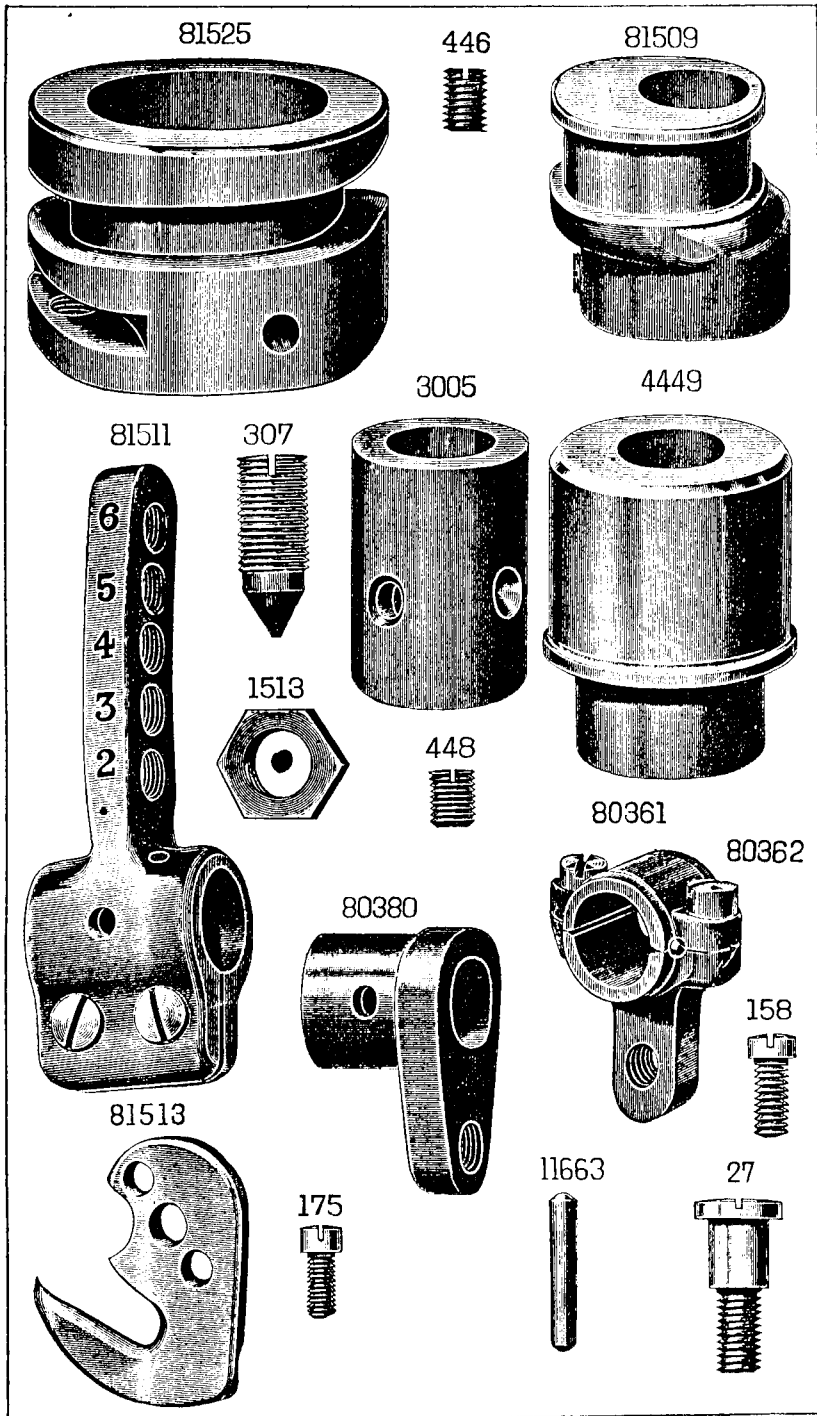


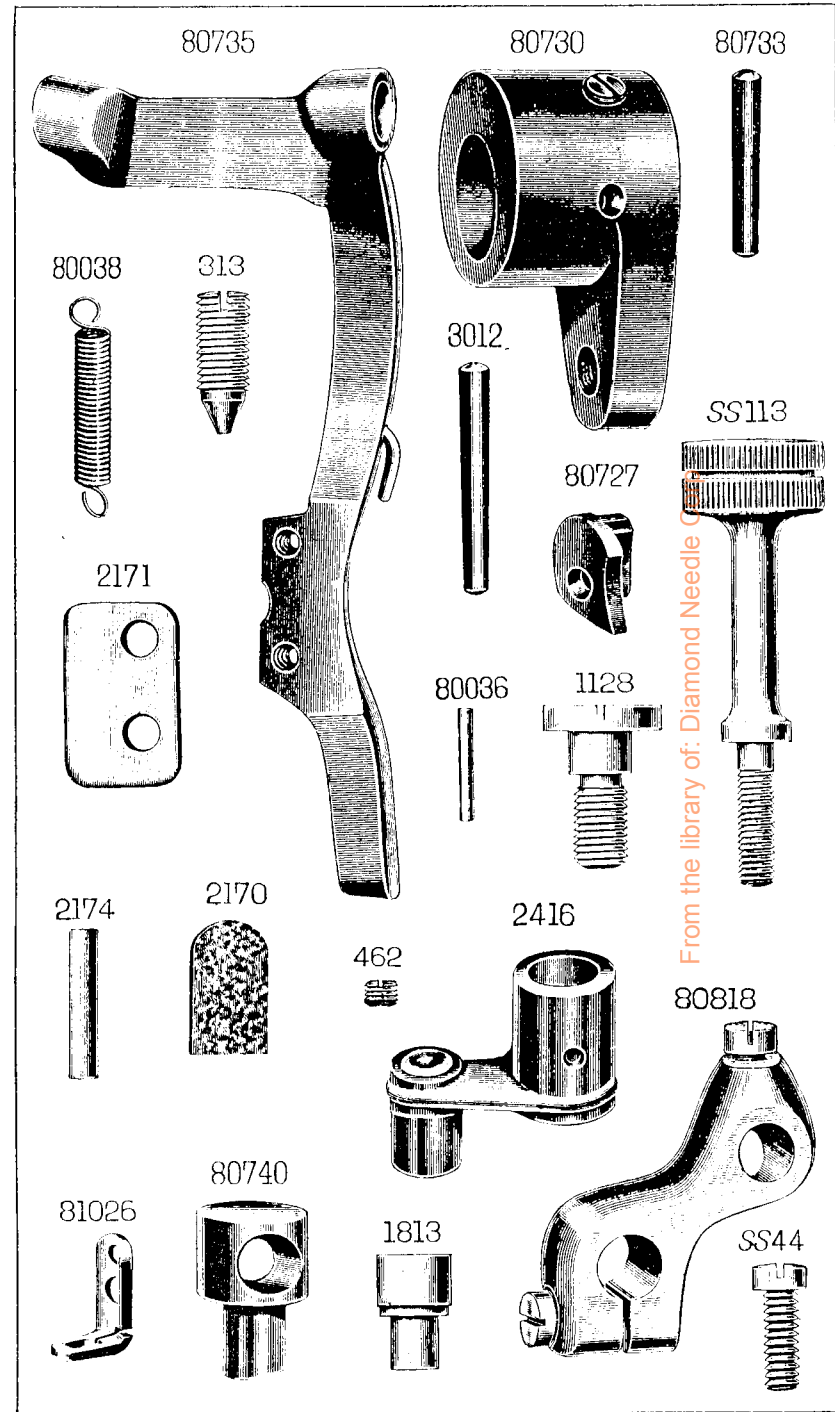
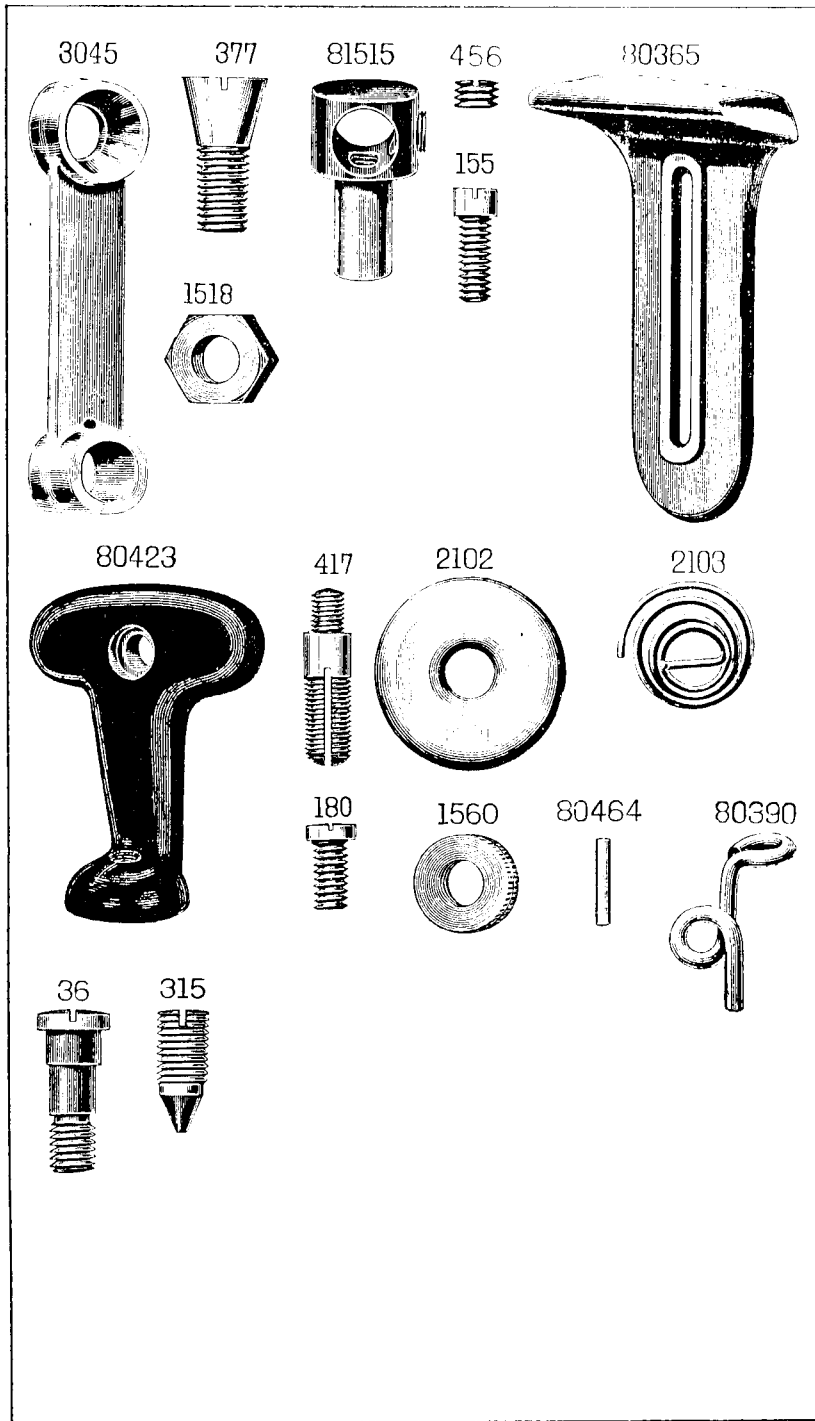


From the library of: Diamond Needle Corp

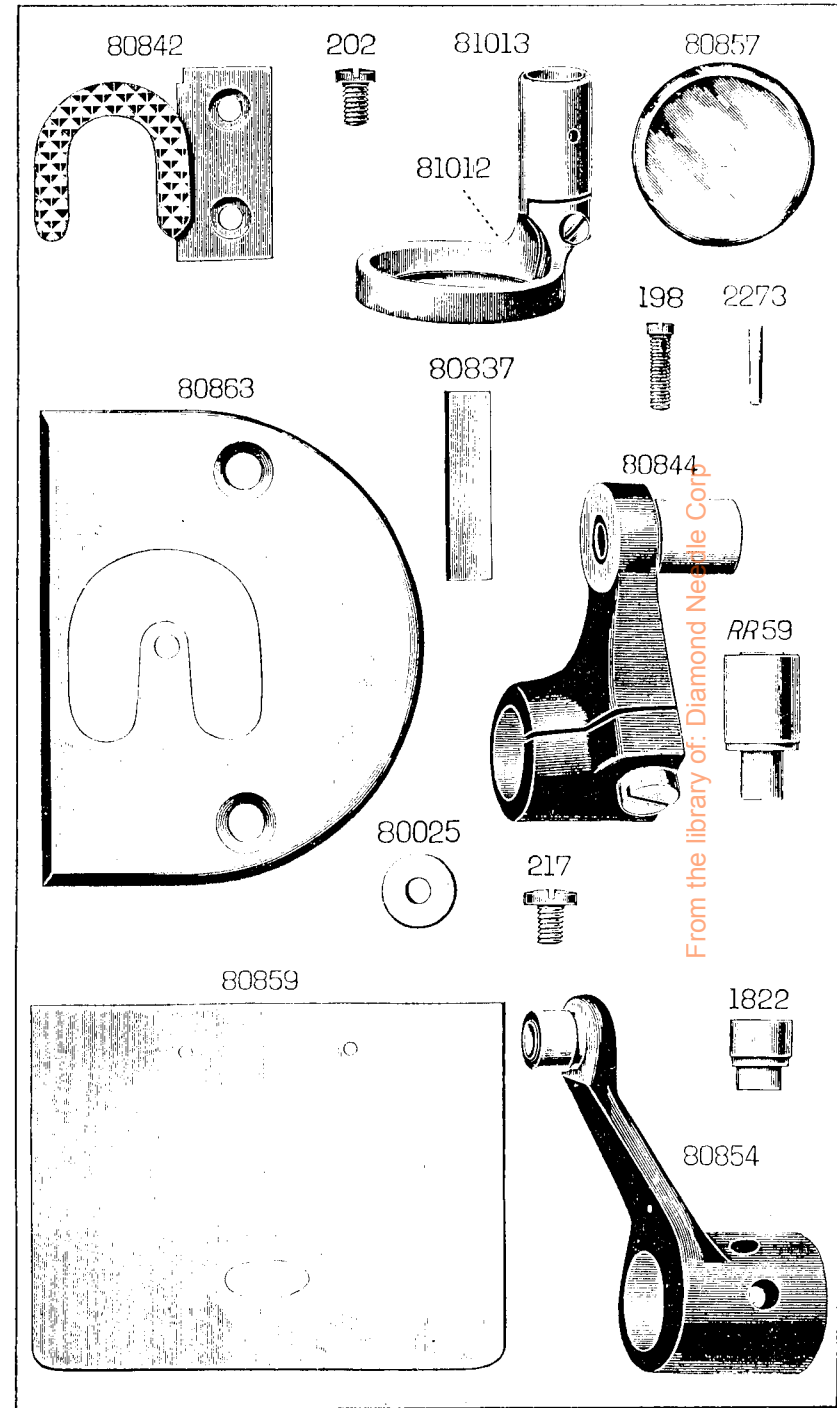
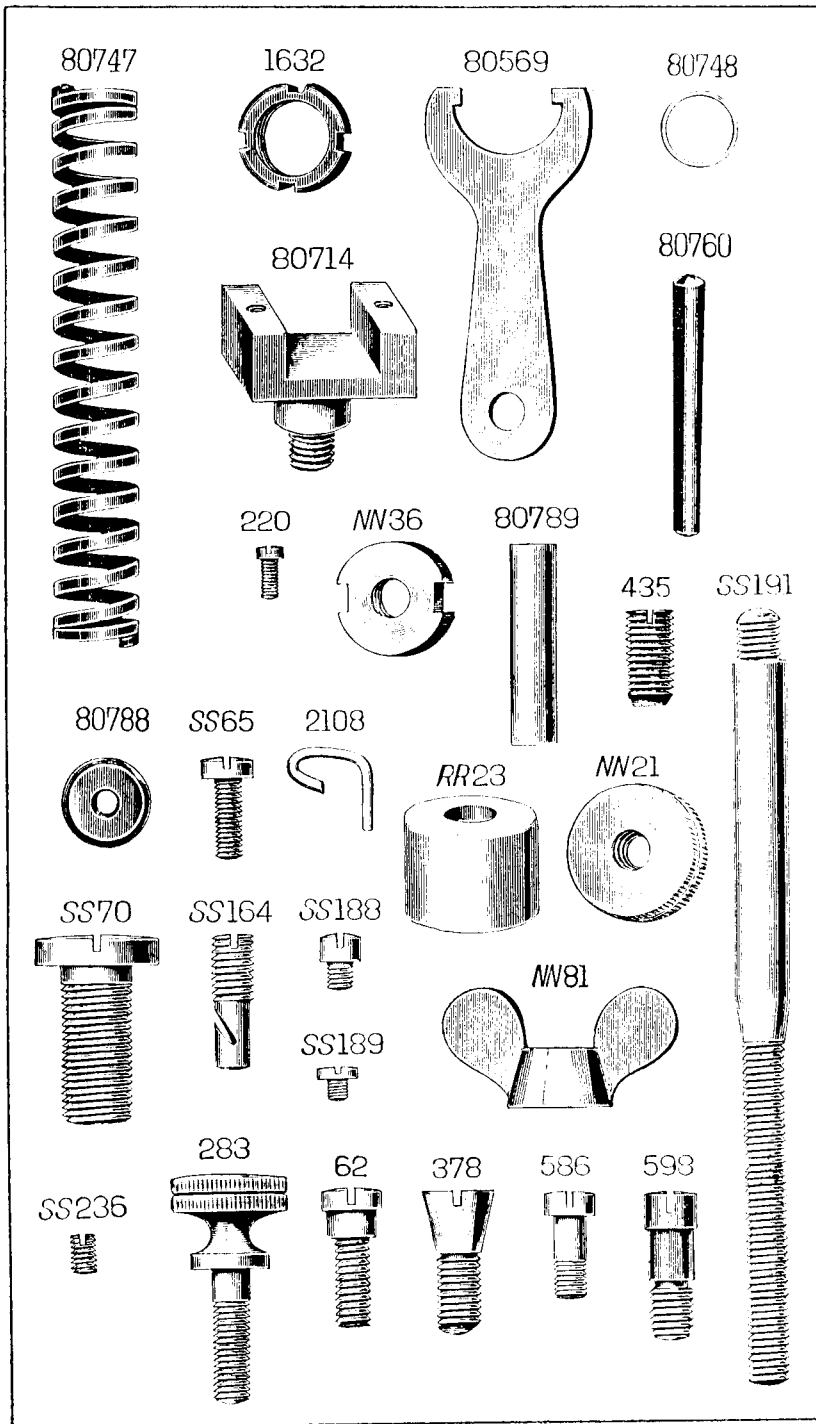
INSERT in FORM K5697 (List of Parts for 16K Machines)
in place of PLATE 2445

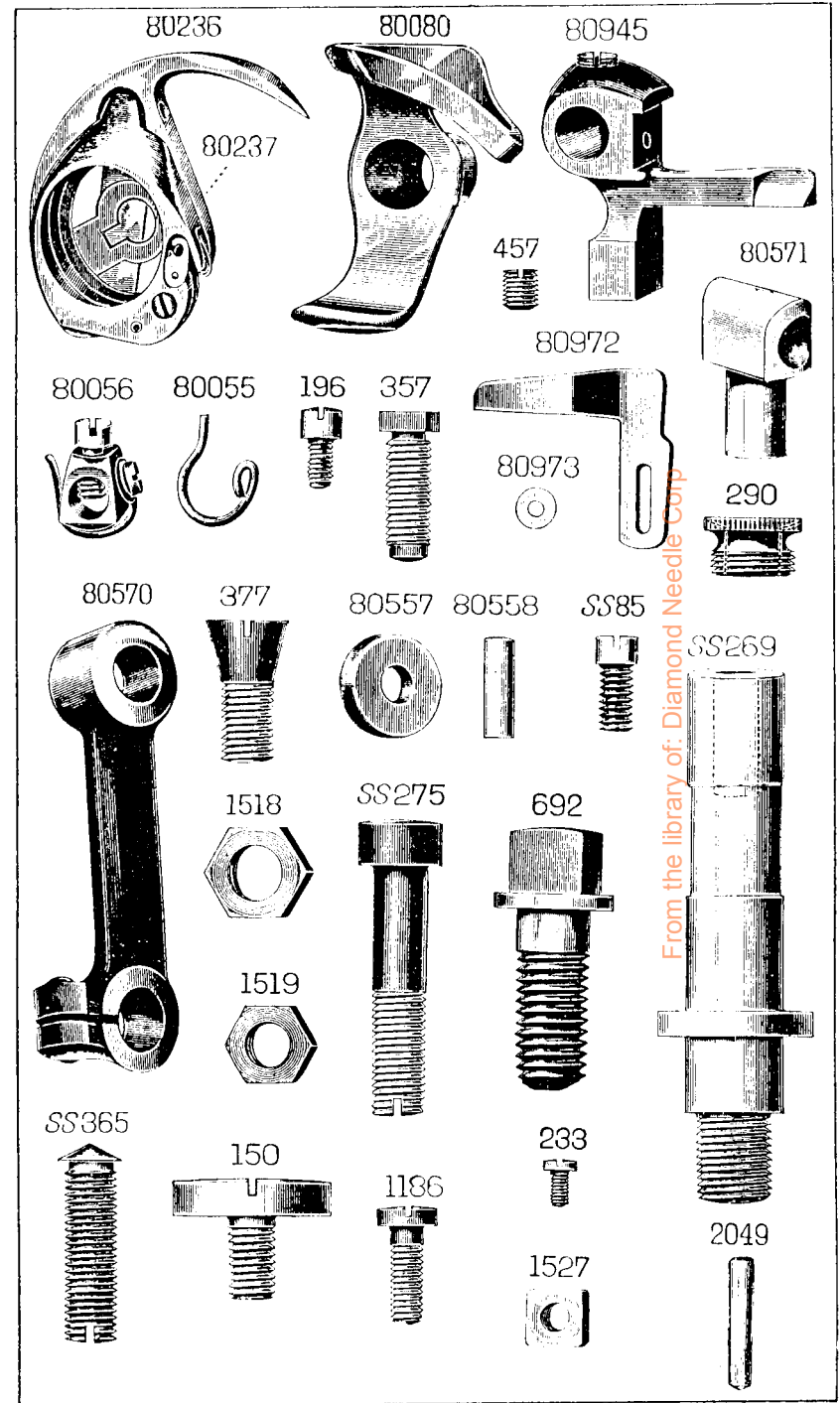
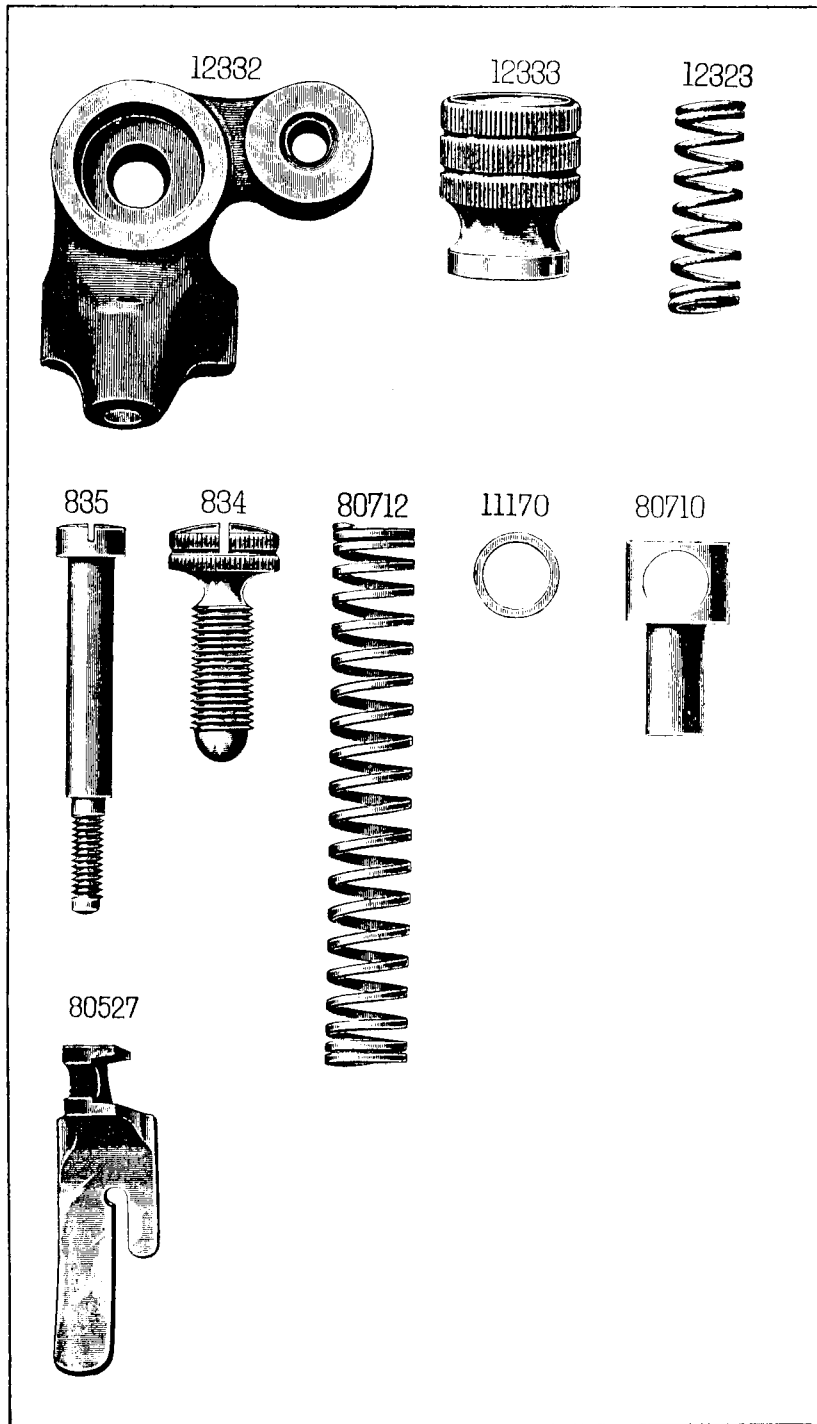


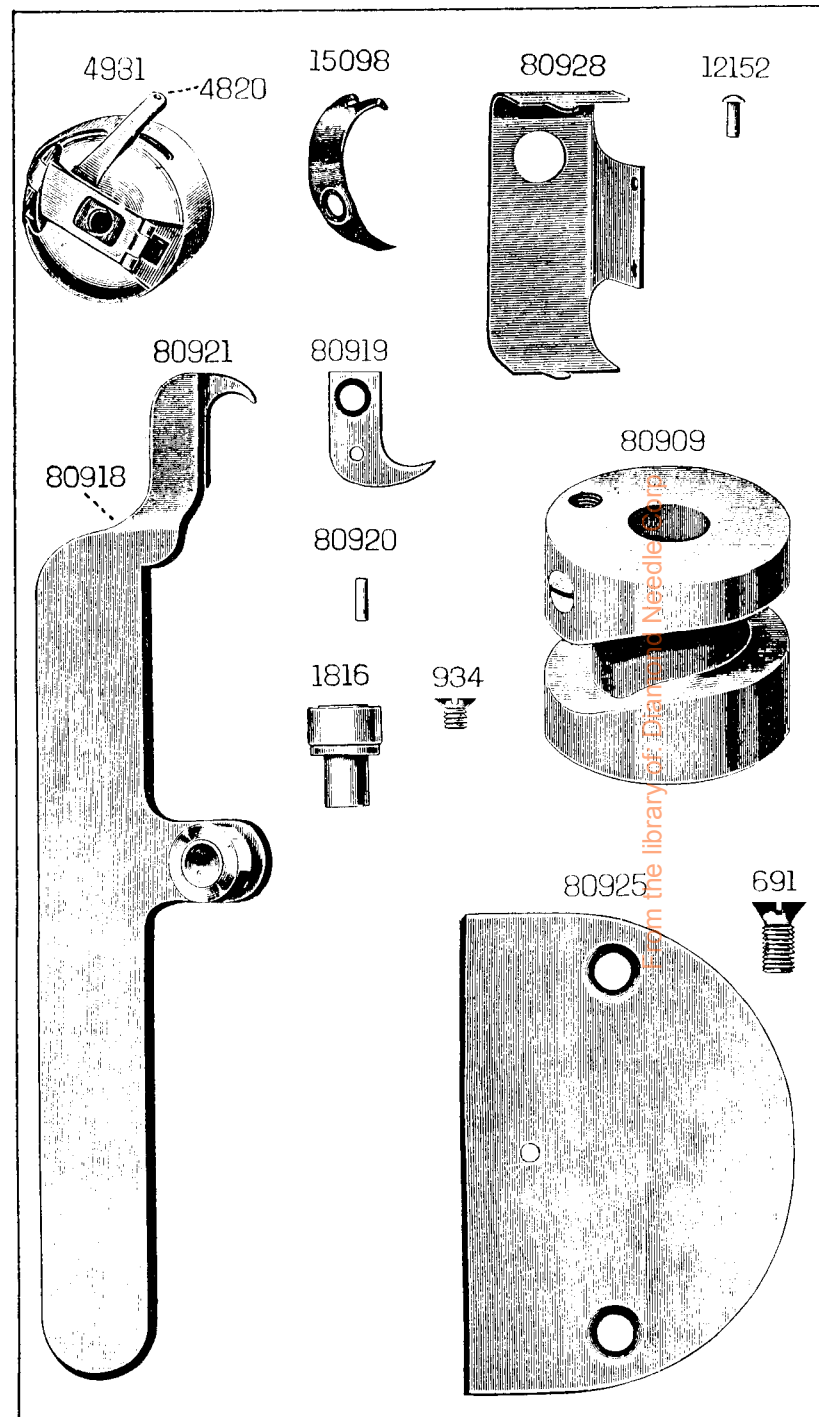
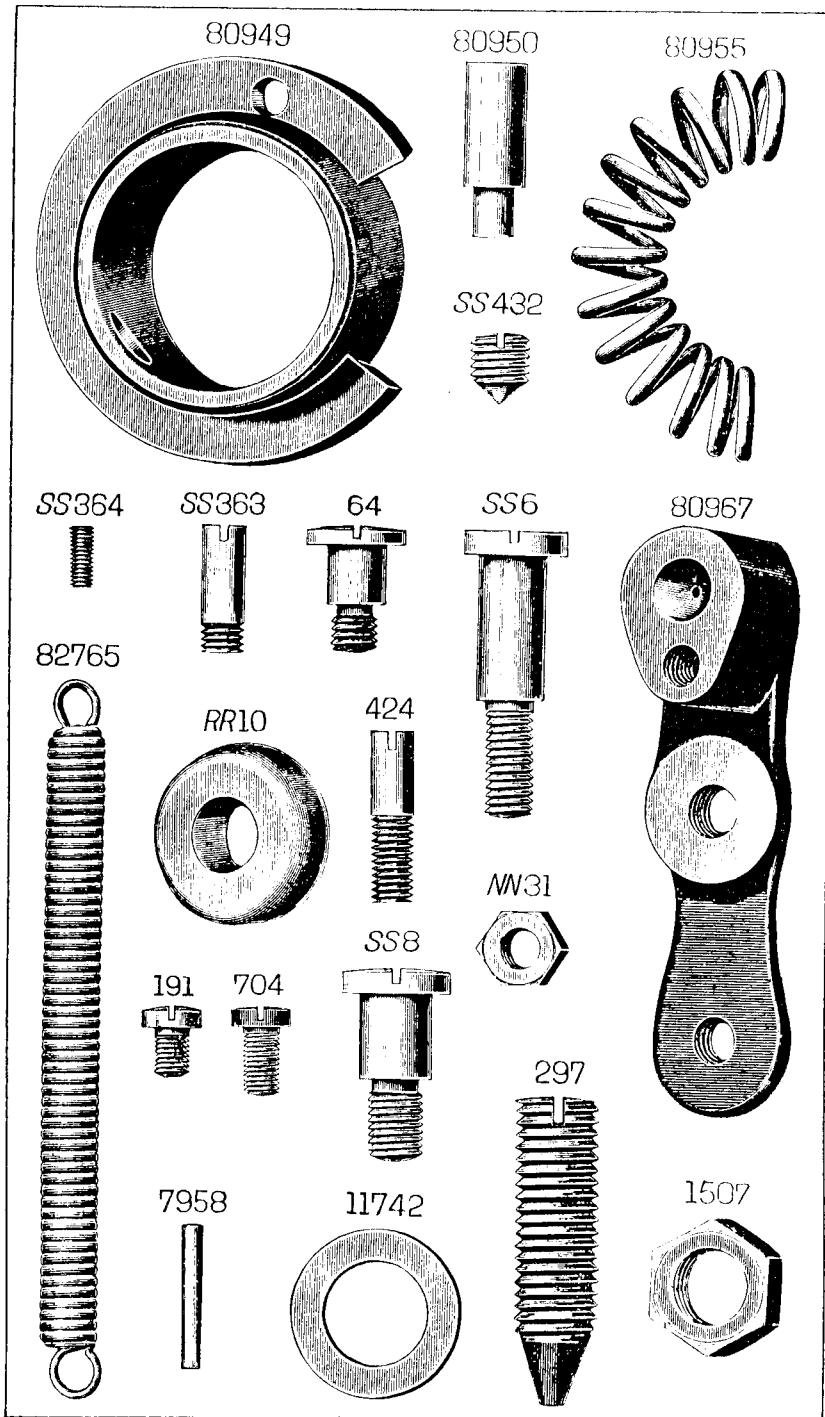


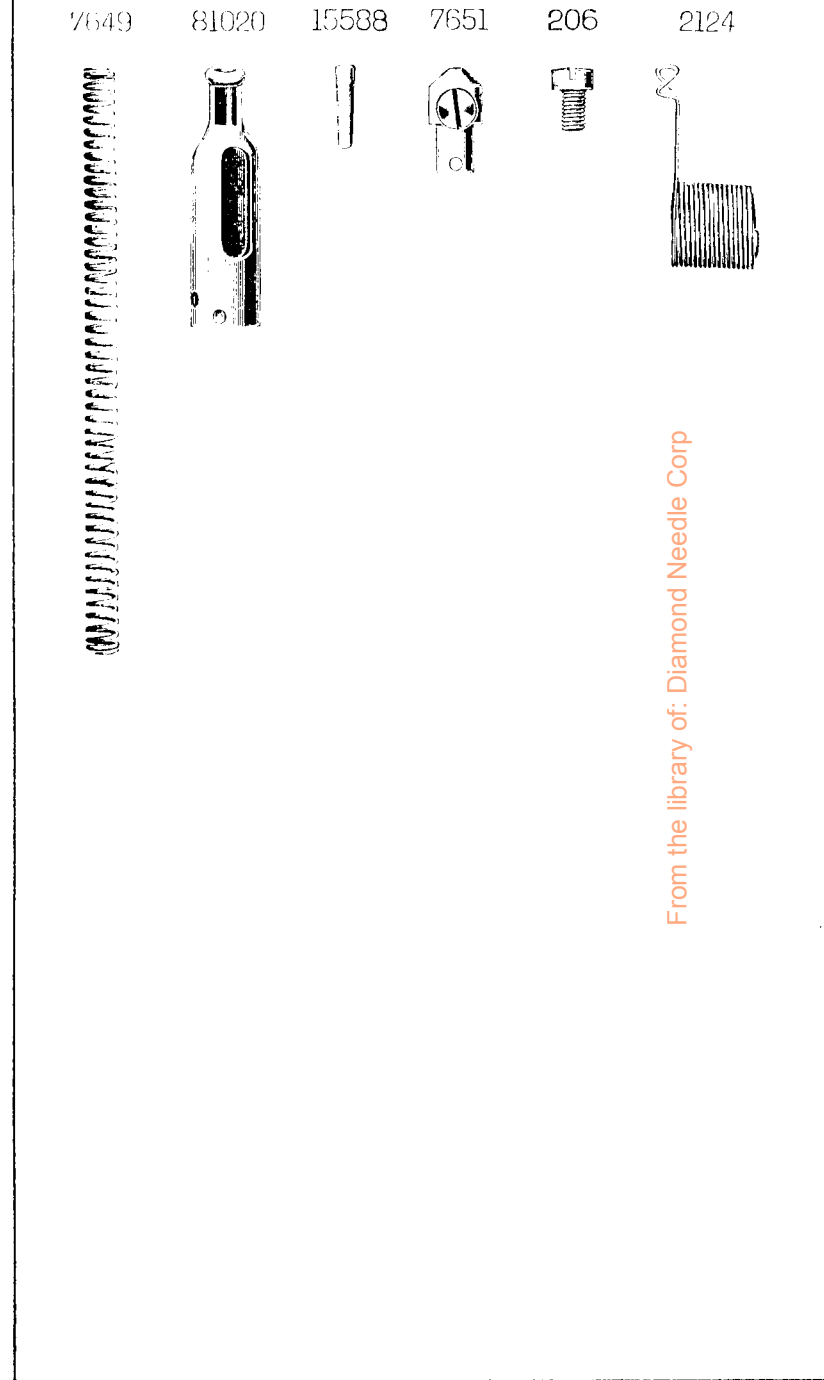
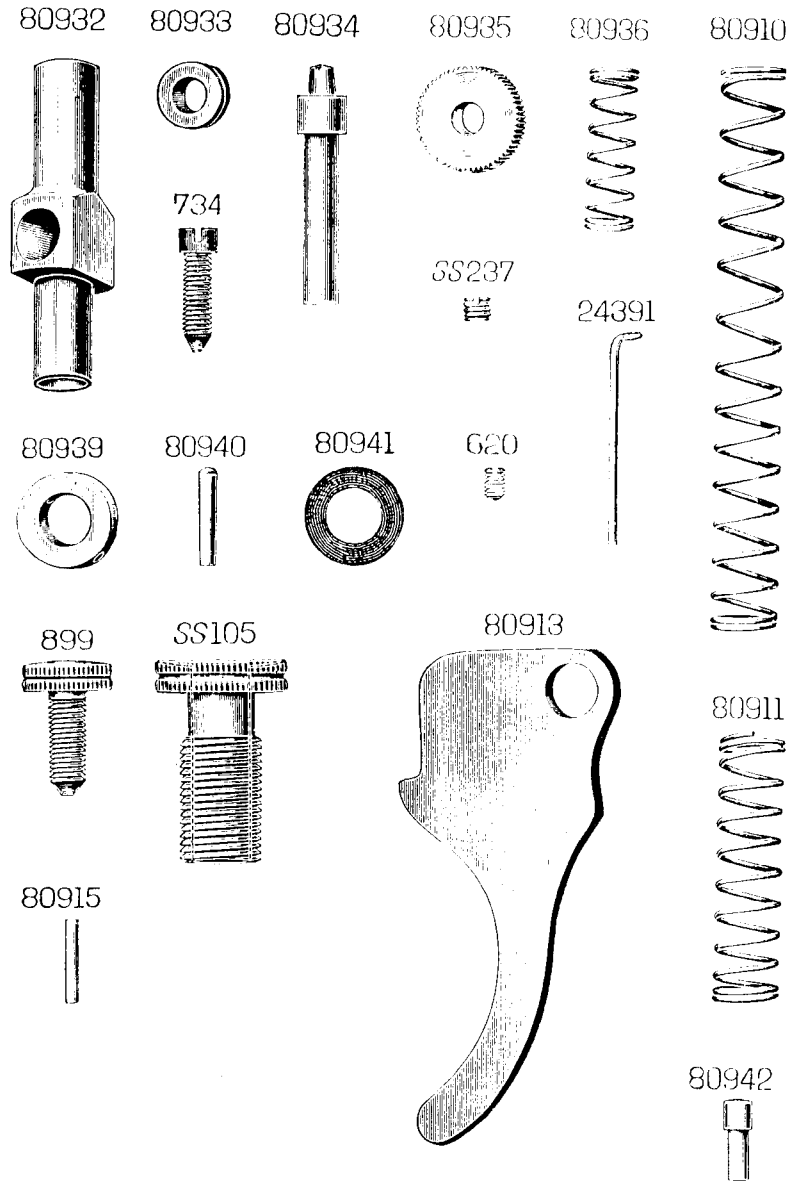


From the library of: Diamond Needle Co.

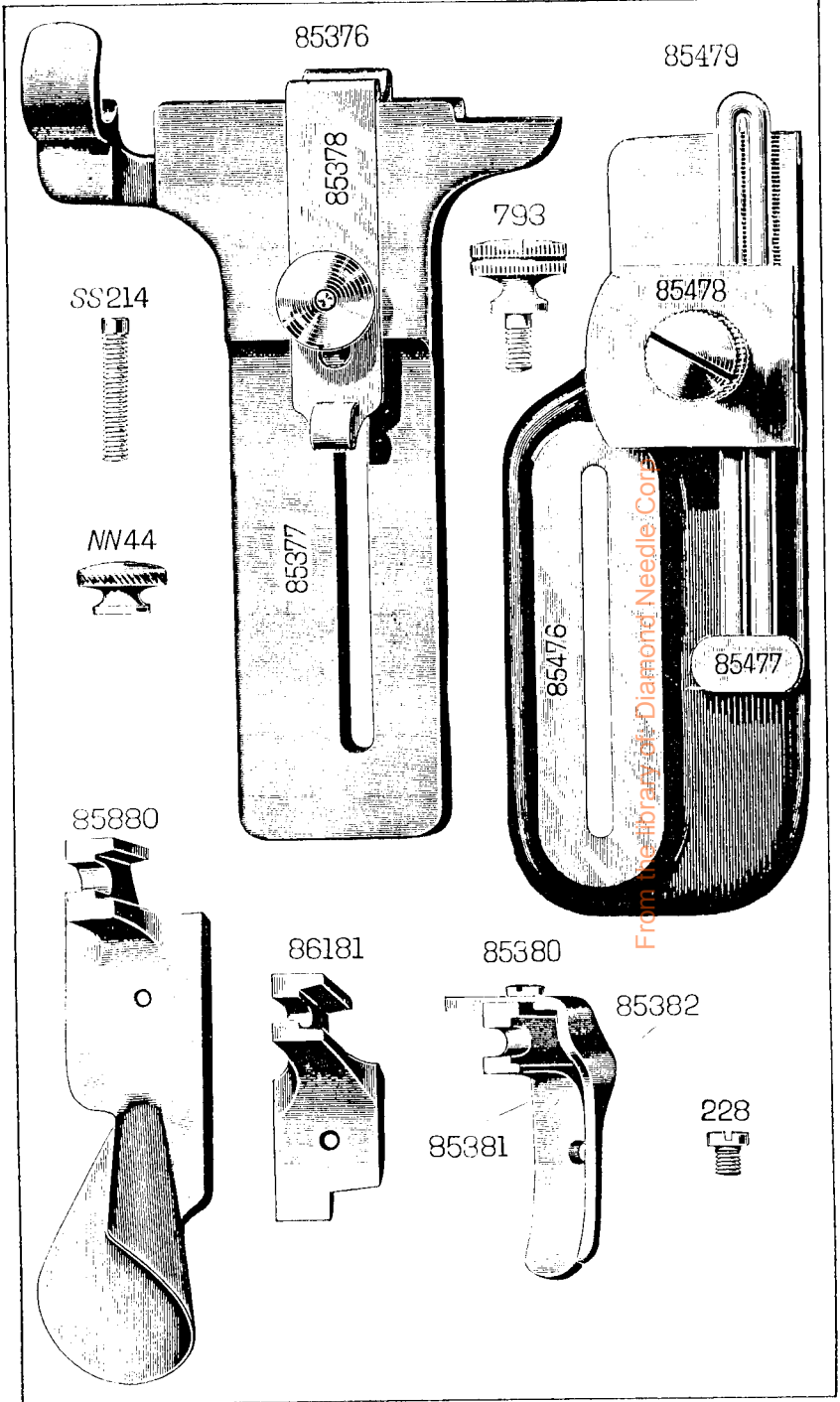
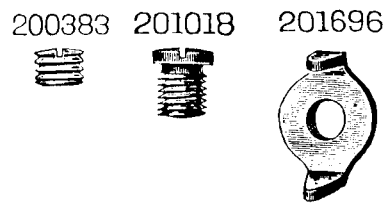
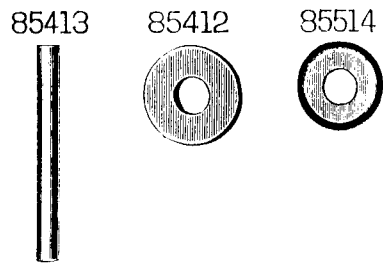
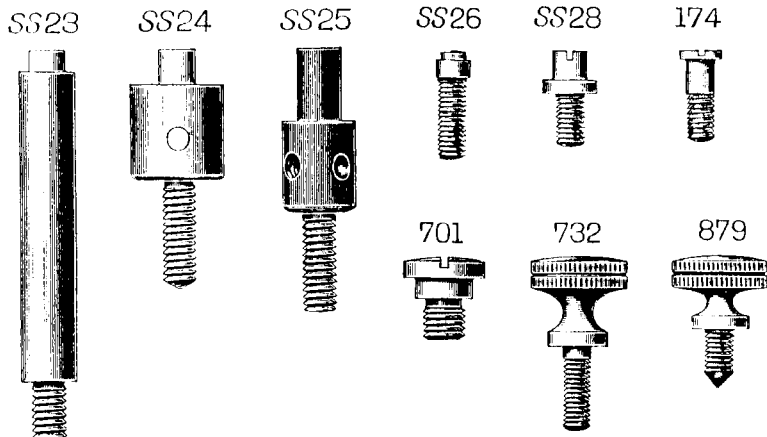


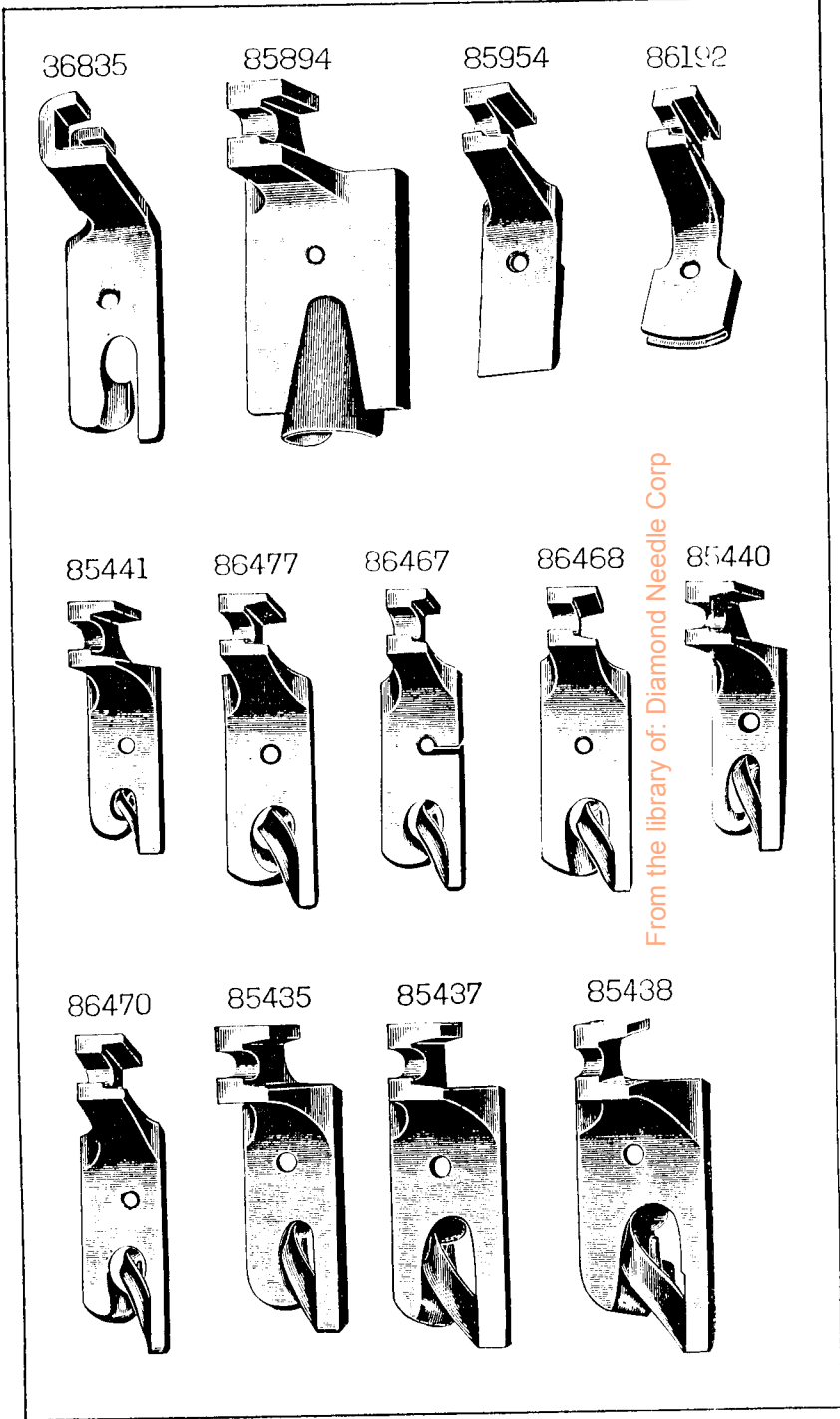
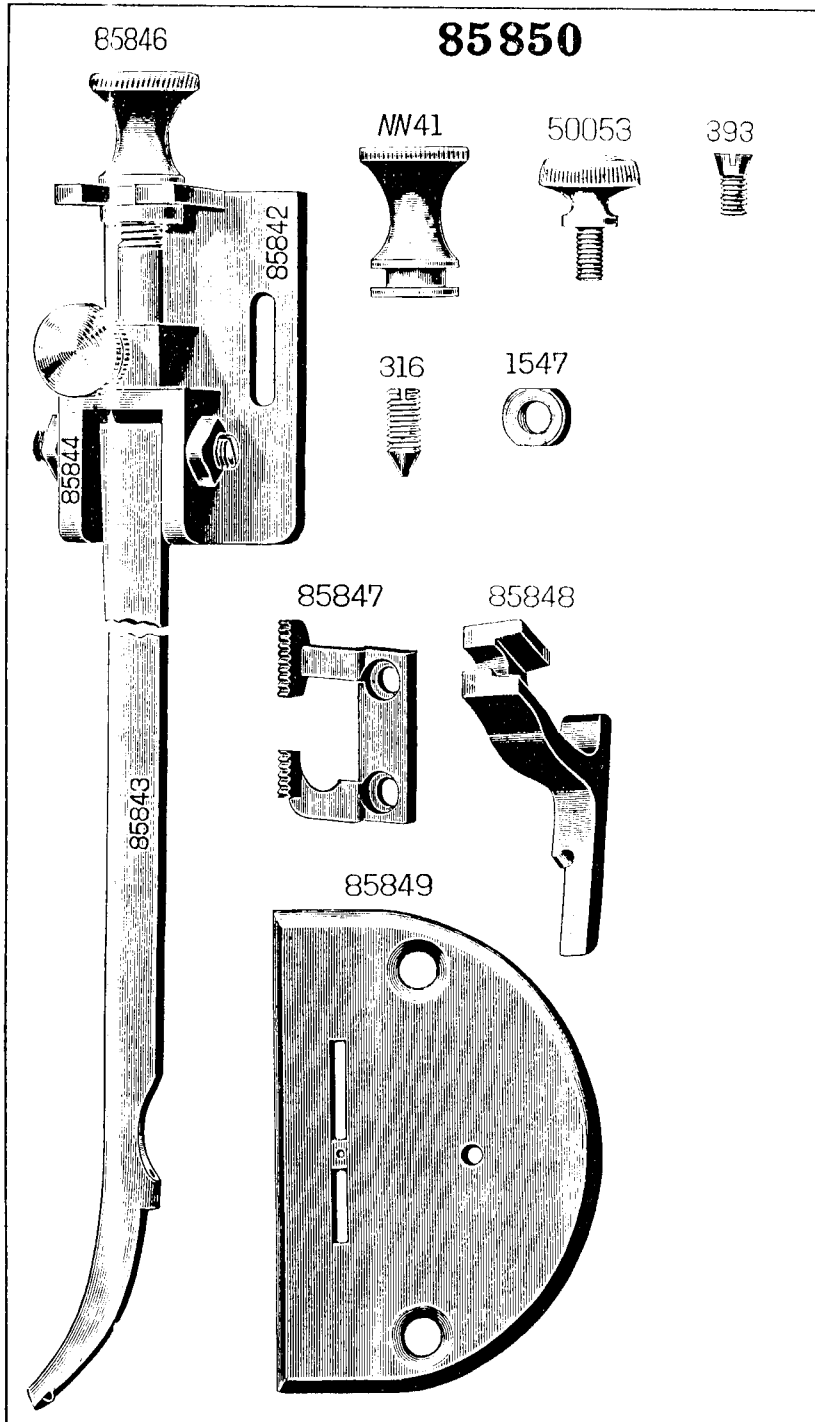




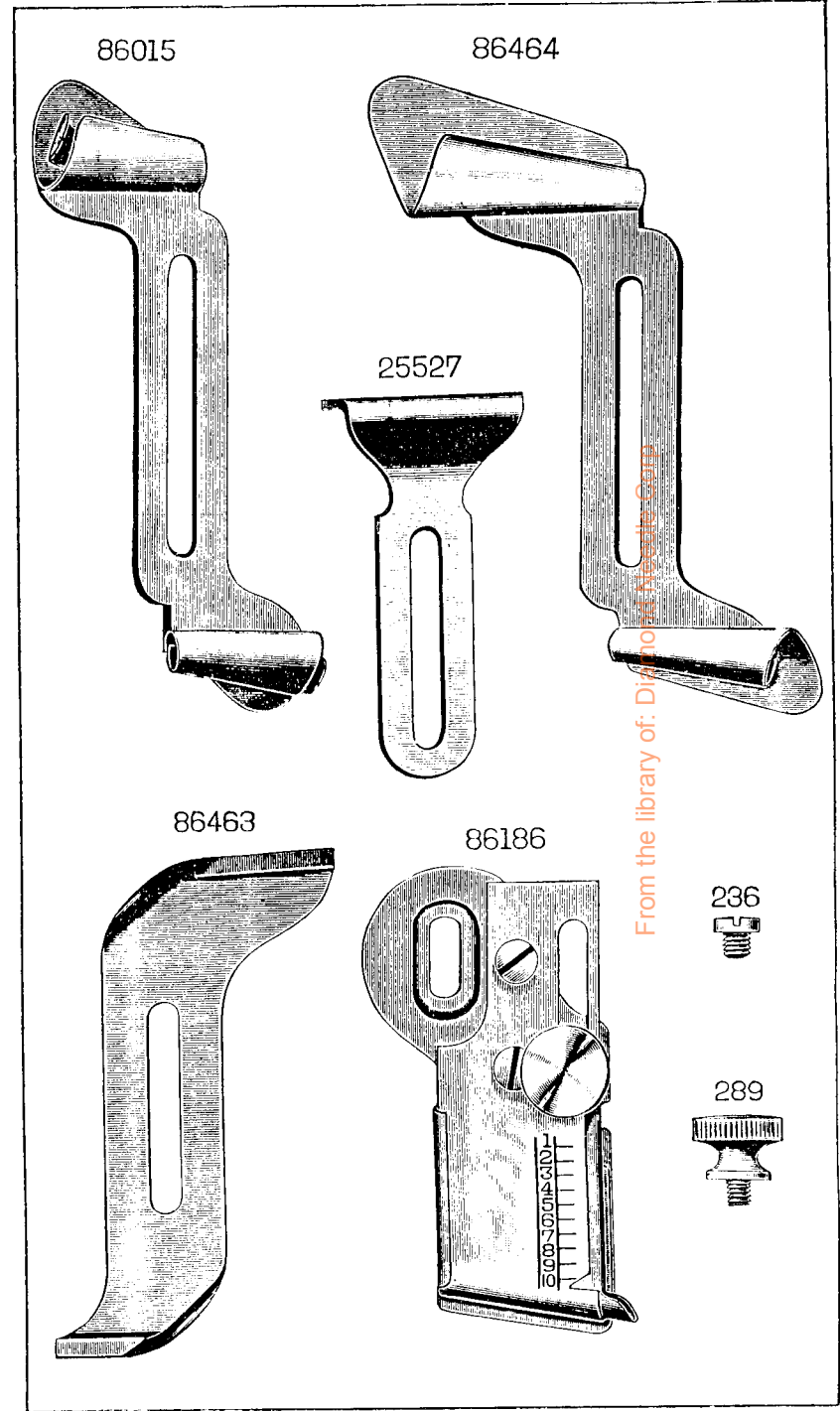
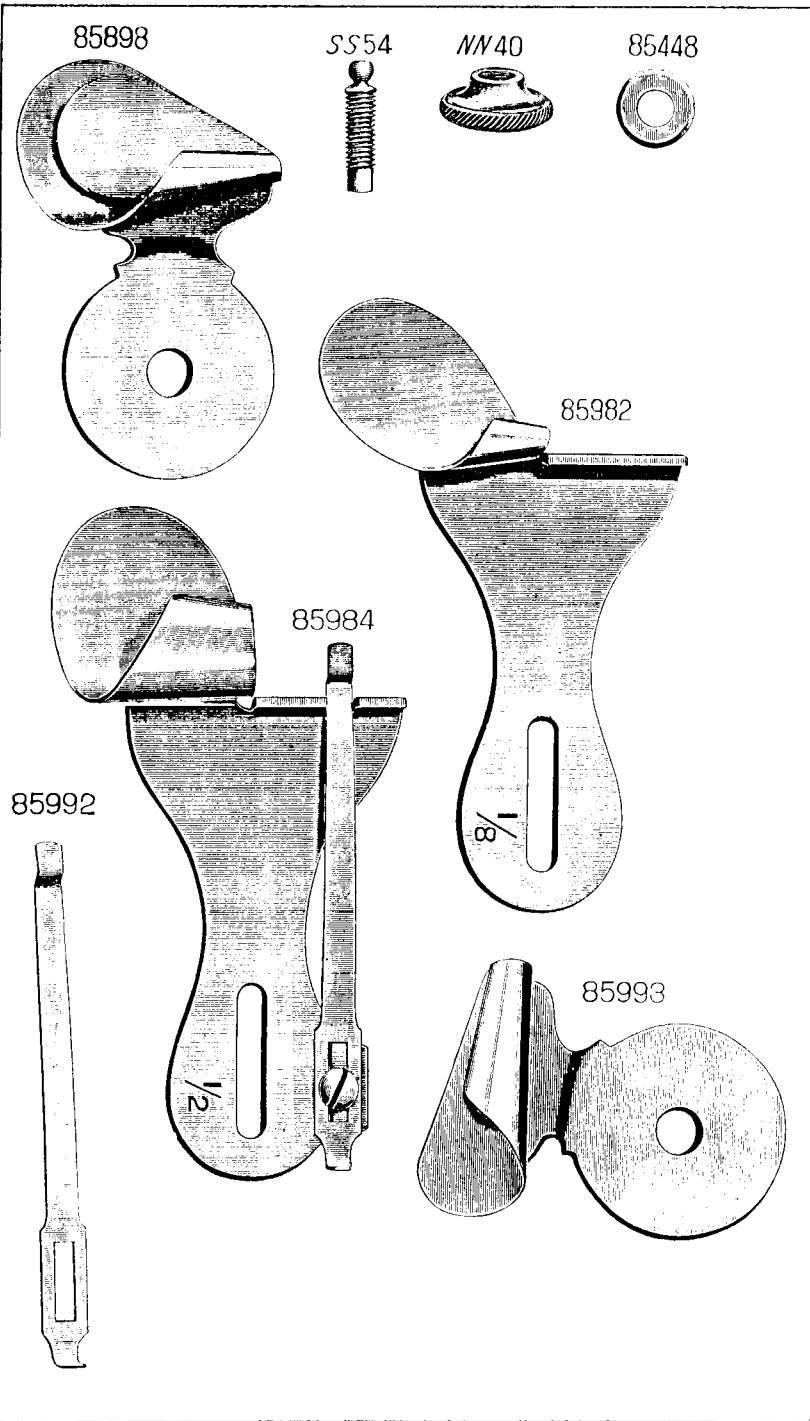


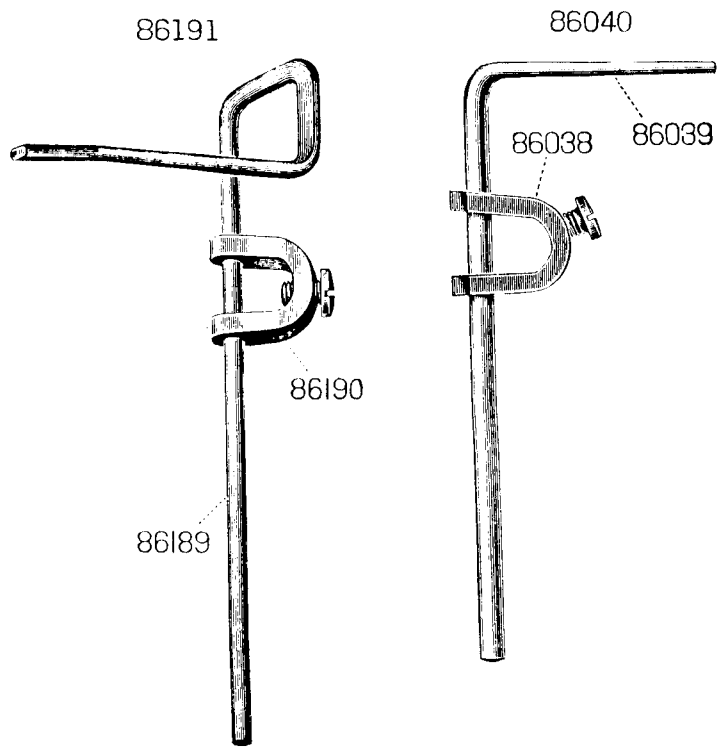
From the library of: Diamond Needle Corp



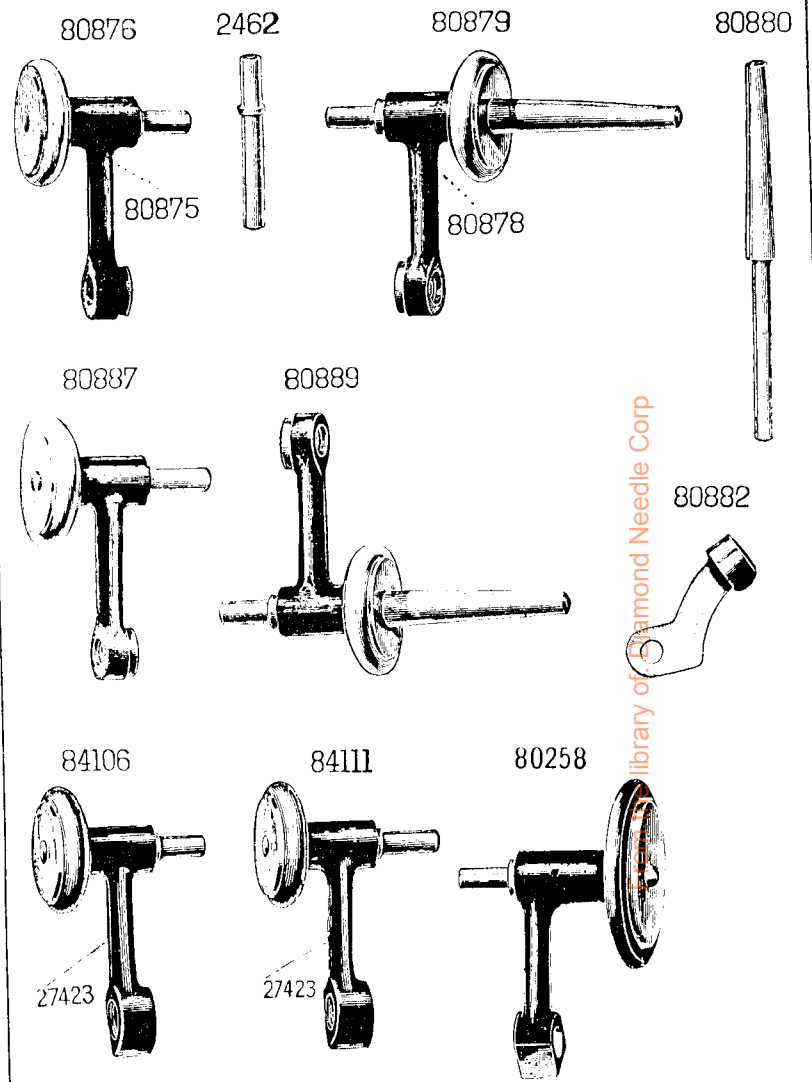
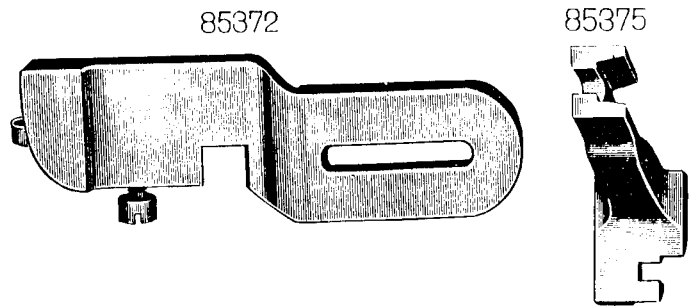


From the library of: Diamond Needle Corp

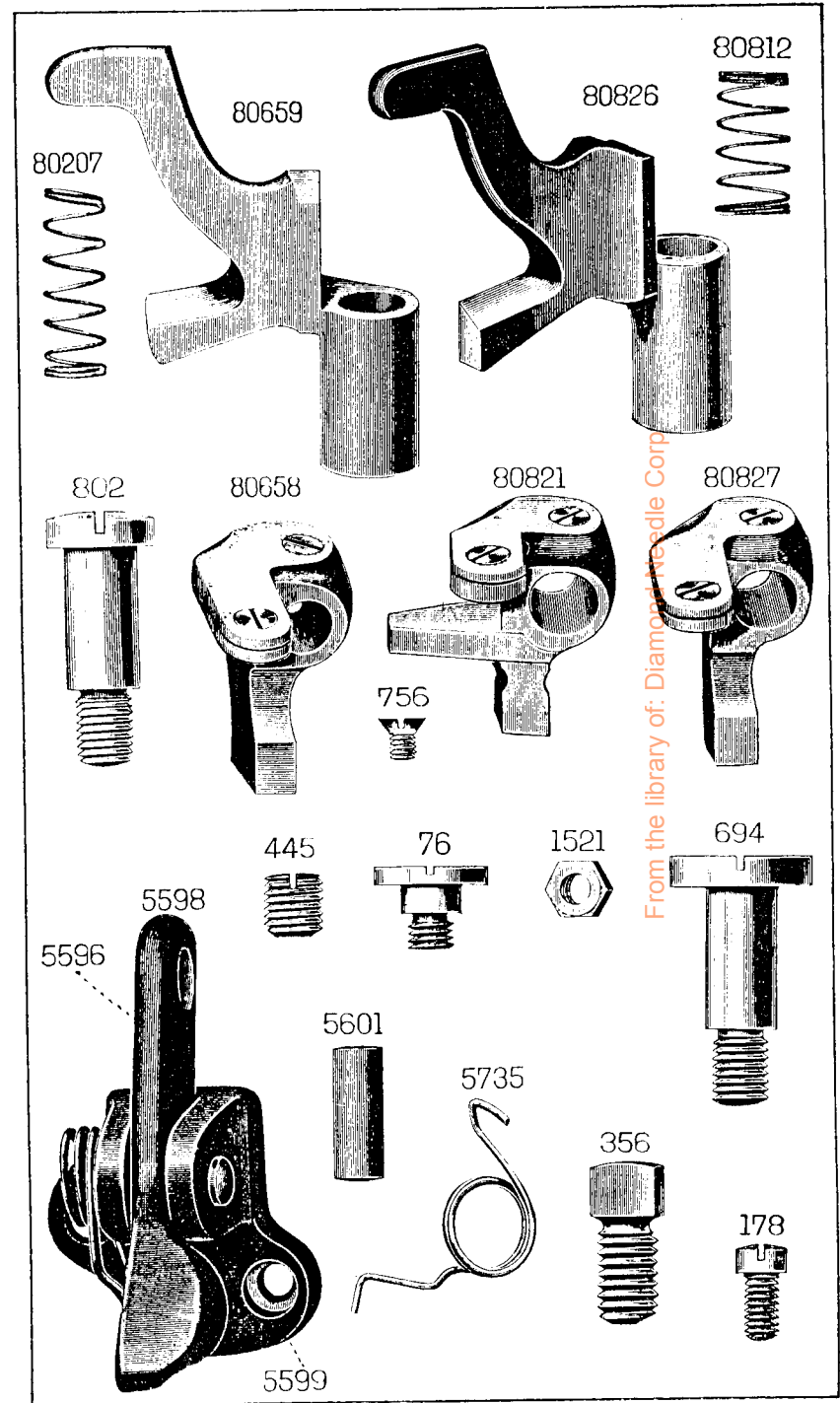
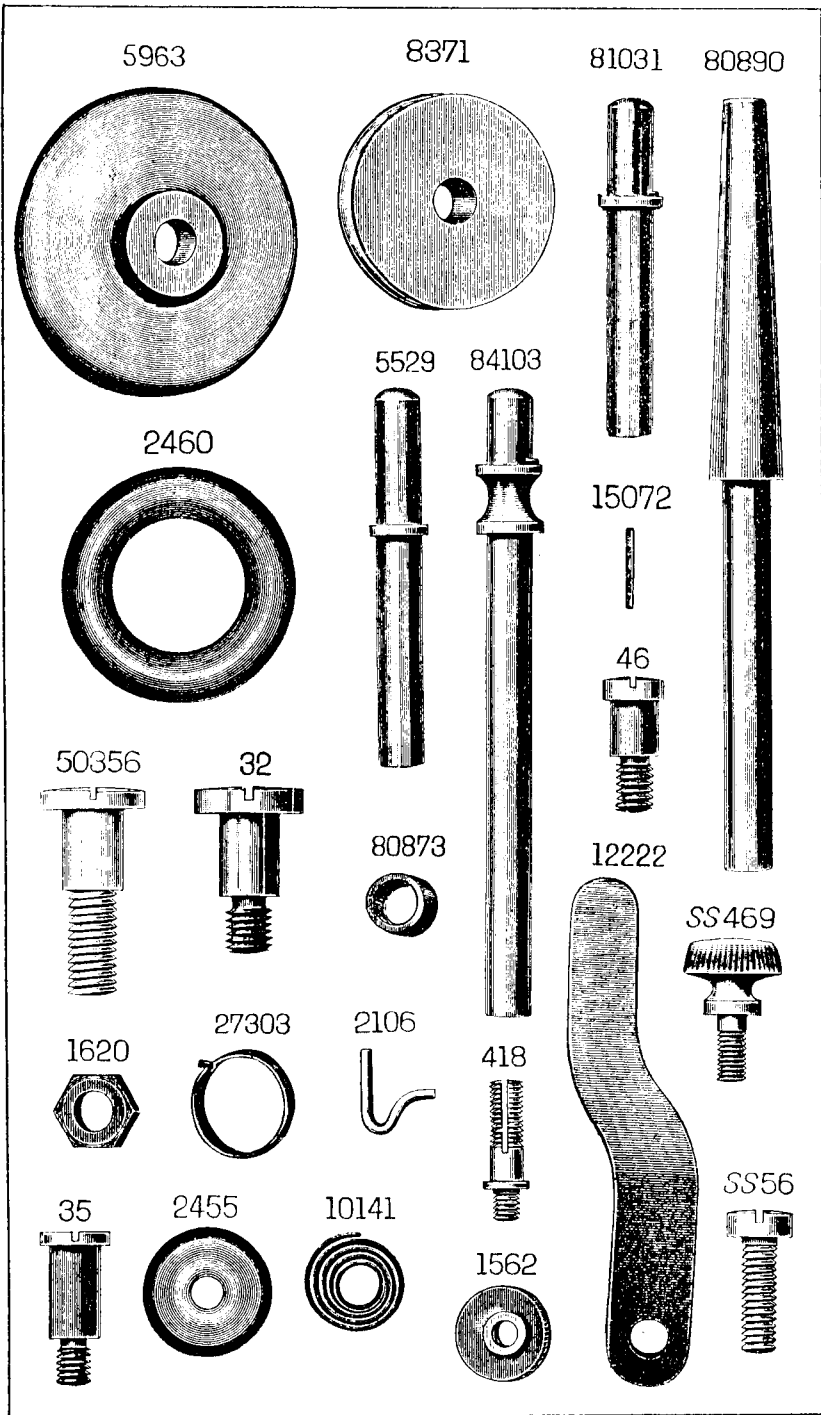




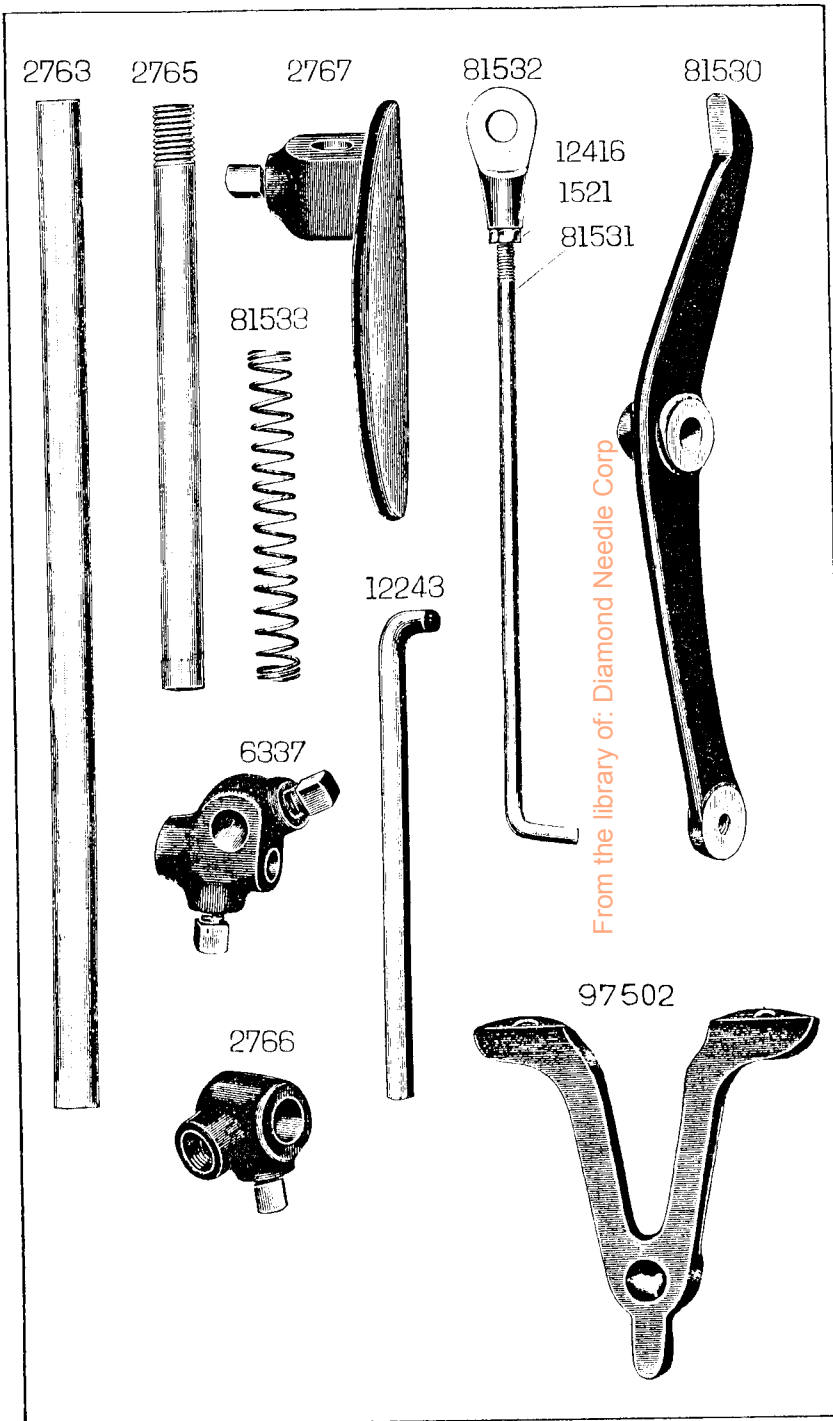
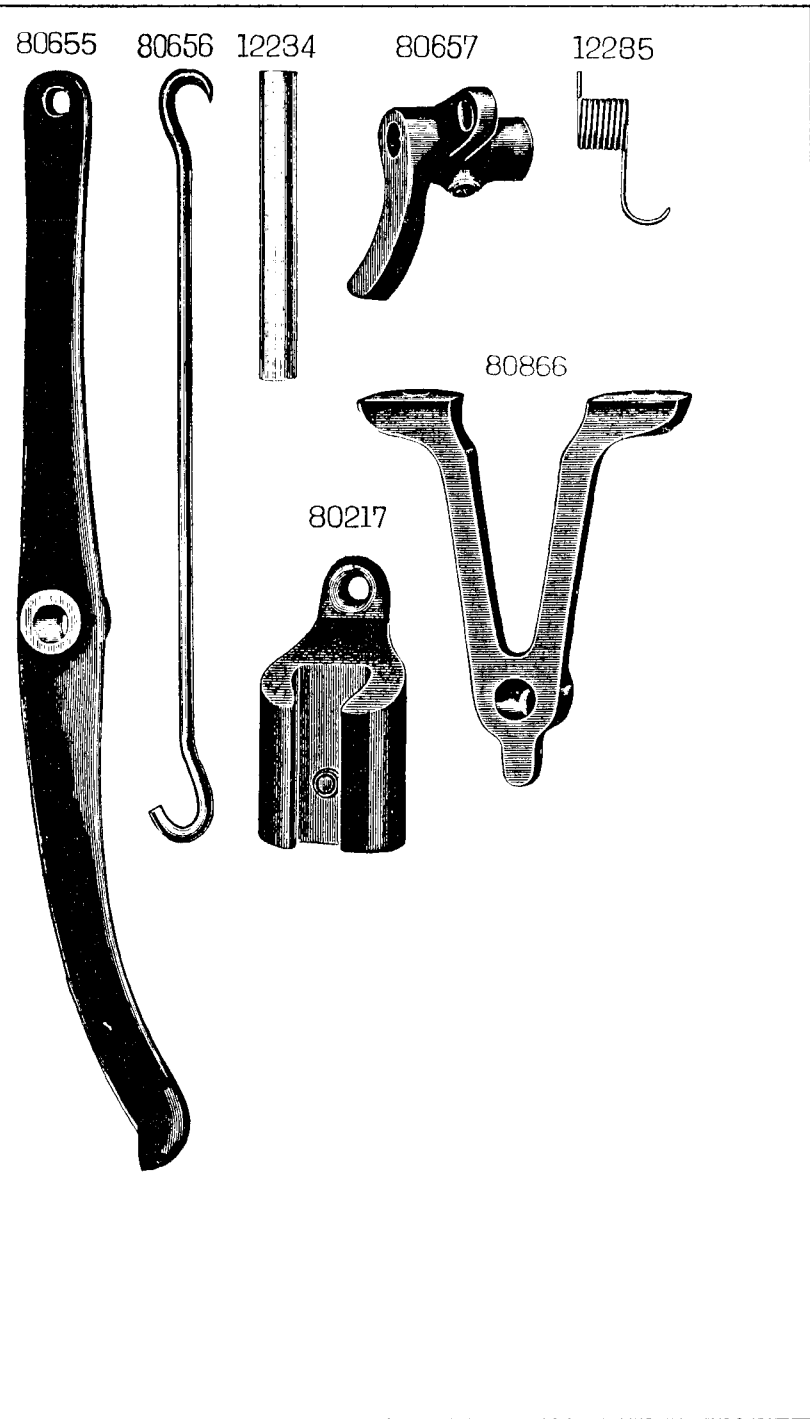
85371



Library of Diamond Needle Corp



From the library of: Diamond Needle Corp

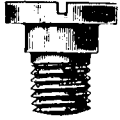


From the library of: Diamond Needle Corp

SS163



65



104



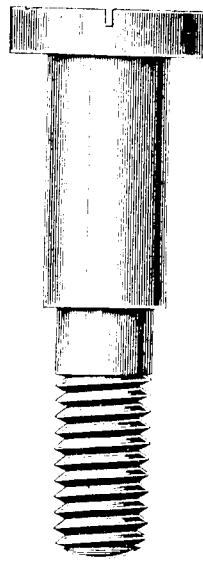
327



341



698



361



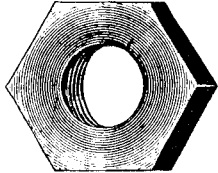
429



597



1579



1594



80212



CONTENTS

	Page
No. 16K25 Machine Parts (Oscillating Shuttle) ...	101
" 16K28 " " (" ") ...	108
" 16K33 " " (C.B. Shuttle) ...	115
" 16K39 " " (") ...	120
" 16K53 " " (") ...	121
" 16K55 " " (") ...	122
" 16K104 " " (Looper Mechanism) ...	145
" 16K107 " " (C.B. Shuttle) ...	125
" 16K110 " " (") ...	131
" 16K111 " " (") ...	134
" 16K113 " " (") ...	136
" 16K116 " " (Oscillating Shuttle) ...	109
" 16K117 " " (C.B. Shuttle) ...	137
" 16K119 " " (") ...	139
" 16K121 " " (") ...	141
Accessories ...	149
Attachments ...	150
Bobbin Winders ...	163
Knee Lifters ...	172
Obsolete Parts ...	176

From the library of: Diamond Needle Corp

INSTRUCTIONS FOR ORDERING

In ordering from this List, the prefix and affix letters with the part number **MUST BE** quoted exactly as they are shown in the first column.

A number always indicates the same part in whatever List it may appear, or for whatever machine.

The affix letters (where shown) indicate the style of finish, as follows:—

- A. Hardened, Polished, Nickel Plated and Buffed.
- A.A. Buffed and Chromium Plated.
- A.B. Hardened, Polished, Buffed and Chromium Plated.
- A.C. Brown Baking Enamel Finish.
- A.D. Grey Baking Enamel Finish.
- A.E. Hardened, Bright Rumbled and Nickel Plated.
- A.F. Hardened, Bright Rumbled and Nickel Plated, Bright Rumbled and Chromium Plated.
- A.J. Polished, Nickel Plated and Chromium Plated.
- A.K. Hardened, Polished, Nickel Plated and Chromium Plated.
- A.L. Heat Treated for Toughness.
- B. Polished, Nickel Plated and Buffed.
- C. Hardened only.
- C.R. Hardened and Merlized.
- D. Polished only.
- E. Soft, not Polished.
- F. Hardened and Polished.
- F.J. Hardened, Polished and Nickel Plated.
- G. Bright Rumbled and Nickel Plated.
- H. Blued.
- J. Nickel Plated only.
- K. Hardened and Nickel Plated.
- L. Brass Plated.
- M. Oxidized.
- N. Japanned, Dull.
- P. Japanned, Bright.
- P.P. Wrinkle Finish.
- R. Merlized.
- S. Cadmium Plated.
- T. Copper Plated.
- T.A. Hardened, Polished, Copper and Nickel Plated and Buffed.
- T.B. Copper and Nickel Plated and Polished.
- T.J. Copper and Nickel Plated only.
- T.K. Hardened, Copper and Nickel Plated.
- T.L. Copper and Brass Plated.
- T.M. Copper Plated and Oxidized.
- U. Zinc Plated.
- V. Silver Plated.
- W. Polished and Nickel Plated.
- X. Black Oxide for Iron and Steel.
- X.C. Hardened and Black Oxide for Iron and Steel.
- Y. Black Nickel Plated only.
- Z. Chromium Plated.
- Z.A. Hardened, Polished, Nickel Plated, Buffed and Chromium Plated.
- Z.B. Polished, Nickel Plated, Buffed and Chromium Plated.
- Z.C. Hardened and Chromium Plated.
- Z.D. Polished and Chromium Plated.
- Z.G. Bright Rumbled, Nickel Plated, Bright Rumbled and Chromium Plated.
- Z.J. Nickel and Chromium Plated.
- Z.T. Copper and Chromium Plated.

Parts marked with an asterisk (*) are furnished only when the repairs are made at Factory.

Parts Complete for No. 16K25 Machine

Oscillating Shuttle. Wheel Feed. Roller Presser. For Leather.

No.	Plate				
*80892	—	Arm with 448c, 3005, 4449, 12453, 15404 and two 15405
2002	2443	" Dowel Pin (2)
12453	2443	" Oil Tube for intermediate bearing
123c	2443	" Screw (3)
80795	2440	Arm Shaft for Tight Wheel Machine
80501	2440	" " " Loose Wheel Machine
3005	2446	" " Bushing (back)
448c	2446	" " " (") Set Screw
4449	2446	" " " (front)
144c	2443	" " Screw for 80795
4288	2438	Arm Side Cover
51224d	2444	" " " Thumb Screw
2007	2441	" Spool Pin
81033	92	Balance Wheel (2 $\frac{3}{4}$ " pulley, heavy rim) with two 448c
80504	92	" " (3" pulley, heavy rim) for stop motion
448c	2446	" " Set Screw
NOTE.—No. 81033 is supplied unless otherwise specified on order.					
*80984	—	Bed
256 ^w	2441	Clamp Stop Motion Clamp Screw	7/47
248a	2441	" " " " Stop Screw
2020	2441	" " " " Washer
*3023	2441	" " " " Flanged Bushing
4933	2441	" " " " " 3023 with two 462 ^{AL}	6/49
2022	133	" " " " " Pin
462 ^{AL}	2449	" " " " " Set Screw	"
3022j	—	Clamp Stop Motion, complete, Nos. 248a, 256 ^w 2020 and 4933	"
4292	685	Crank Connecting Rod with 4349 and two 158c
*4349	—	" " " Cap
158e	2446	" " " " Screw
375c	2441	" " " " Hinge Screw
1518e	2448	" " " " " Nut

From the library of: Diamond Needle Corp.

No.	Plate	
80518	104	Face Plate
164d	2443	" " Screw
80696	—	Face Plate , complete, Nos. 145c, 233d, 460c, 2111, 80081, 80214 80259, 80518 and 82358
52165	107	Feed Connecting Link
375c	2441	" " " Hinge Screw (2)
1518e	2448	" " " " " Nut (2)
3074	2443	Feed Eccentric with 446c
446c	2446	" " Set Screw
3037	2438	Feed Forked Connection
375c	2441	" " " Hinge Screw
1518e	2448	" " " " " Nut
3039	103	Feed Regulator
1128e	2449	" " Hinge Screw
818d	104	" " Thumb Screw
3042	2440	Feed Rock Shaft
3041	—	" " " 3042 with 29633
29633	2442	" " " Crank with 157c
157c	2442	" " " " Clamping Screw
307c	2446	" " " Screw Centre (2)
1513j	2446	" " " " " Nut (2)
2664	—	Feed Wheel (fine teeth)
2258	96	" " (medium teeth)
15022	96	" " (coarse teeth)

NOTE.—No. 2258 is supplied unless otherwise specified on order.

80094	96	Feed Wheel Driver , complete, Nos. 2266, 80097, two each 80095 and 80096
80097	2445	" " " Bushing
80095	2445	" " " Collar
80096	2445	" " " " Rivet
80613	118	" " " Link
324d	2441	" " " " Screw
80098	118	" " " Spring
2266	2441	" " " " Hook
313c	2449	Feed Wheel Driver Link Screw Centre (2)
1519e	2453	" " " " " Nut (2)

No.	Plate	
80612	118	Feed Wheel Frame with 453c
80801	—	Feed Wheel Frame , complete, Nos. 151c, 152d, 164d, 240d, 2252 to 2255, 2258, 3077, 80093, 80099, 80612 and two 205d
3077	118	Feed Wheel Frame Shaft
453c	2447	" " " " Set Screw
80093	118	" " " Suspension Bracket
152d	118	" " " " " Adjusting Screw
164d	2443	" " " " " Binding Screw
2253	69	" " Friction Plate (back)
151c	2441	" " " " (") Screw
2252	69	" " " " (front)
205d	2441	" " " " (") Screw
2254	118	" " Retaining Clutch
2255	69	" " " " Cap
205d	2441	" " " " Screw
80099	118	" " " Spring
240d	118	" " " " Screw
80519	2439	Needle Bar
*3045	2448	" " Connecting Link
377c	2448	" " " " Hinge Screw
1518e	2448	" " " " " Nut
2052	2443	" " " Stud with 155c
155c	2443	" " " " Set Screw
290e	2453	" " Screw Bushing (2)
80042	2441	Needle Clamp
80520	2441	" " 80042 with 196f, 240f and 80521
196f	2453	" " Screw
80521	2441	" " Thread Eyelet
240f	118	" " " " Screw
4304	2442	Oscillating Rock Shaft with 4784
3052	2442	" " " Hinge Pin
1513j	2446	" " " " " Nut
635c	2442	" " " " " Screw Bearing
1513j	2446	" " " " " Nut
4784	2442	" " " Oil Pad
3053	2440	Oscillating Shuttle Shaft
15160	2442	" " " " Crank
*15161	—	" " " " 15160 with 1519c and 15171
15162	2442	" " " " 15161 with two 462c AL
2049	2453	" " " " Pin
307c	2446	Feed Wheel Frame Shaft Screw Centre (2)
1513j	2446	" " " " " Nut (2)
15162	2442	Oscillating Shutter Shaft Crank 15425 with 1519c, 15171 and two 462al
5428	—	Oscillating Shutter Shaft Crank

From the library of Diamond Needle Corp.

5/51

6/49

9/48

1/52

No.	AL	Plate							
462k	2449		Oscillating Shuttle Shaft	Crank Set Screw			
15170	2442		"	"	"	"	Slide Block
15171	2442		"	"	"	"	"	15170 with 226d, 1035c and 12424	
226d	2442		"	"	"	"	"	Cap Screw	...
12424	2442		"	"	"	"	"	"	Washer
1035c	2442		"	"	"	"	"	Screw Stud	...
1519e	2453		"	"	"	"	"	"	Nut

3054	2439		Presser Bar
80269	2442		"	"	Lifter
689c	104		"	"	"	Screw
1520r	104		"	"	"	"	Nut
80524	104		"	"	"	"	"	Lifting Bracket with 453c and 756c	...
453c	2447		"	"	"	"	"	Set Screw	...
756c	2467		"	"	"	"	"	Thread Controller Clamping Screw	...
290e	2453		"	"	"	"	"	Screw Bushing	...
32675	2442		"	"	"	"	"	Spring	...
262j	2442		"	"	"	"	"	Regulating Thumb Screw	...
2070	2442		"	"	"	"	"	Washer	...

80100	69		Presser Foot
-------	----	--	---------------------	-----	-----	-----	-----	-----	-----

NOTE.—No. 80100 is only supplied when ordered and at an extra charge.

1867	—		Roller, $\frac{3}{16}$" diam., coarse, with 388d and 1550j
1843	1381		"	$\frac{3}{16}$ "	" fine, " 388d " 1550j
1868	—		"	$\frac{7}{8}$ "	" coarse, " 652d " 1528j
1842	1381		"	$\frac{7}{8}$ "	" fine, " 386d " 1528j
1839	1381		"	$1\frac{1}{4}$ "	" coarse, " 386d " 1528j
1869	—		"	$1\frac{1}{4}$ "	" fine, " 386d " 1528j
2202	1381		"	"	Arm for 80298 and 80299
2203	1381		"	"	" 80300 " 80301
2204	1381		"	"	" 80302 " 80303
440f	2441		"	"	Adjusting Screw
1547j	2460		"	"	" " Nut
80297	1381		"	"	Bracket
316f	2460		"	"	" " Screw Centre
1547j	2460		"	"	" " " " Nut
80106	1381		"	"	Lock Spring...
SS50f	183		"	"	" " Screw
82462	1381		"	"	" " Washer

No.	Plate				
80298	—		Roller Presser, $\frac{3}{16}$" coarse roller, complete, Nos. SS50f, 440f, 1867, 2202, 80106, 80297, 82462, two 316f and three 1547j		
80299	—		Roller Presser, $\frac{3}{16}$" fine roller, complete, Nos. SS50f, 440f, 1843, 2202, 80106, 80297, 82462, two 316f and three 1547j		
80300	—		Roller Presser, $\frac{7}{8}$" coarse roller, complete, Nos. SS50f, 440f, 1868, 2203, 80106, 80297, 82462, two 316f and three 1547j		
80301	—		Roller Presser, $\frac{7}{8}$" fine roller, complete, Nos. SS50f, 440f, 1842, 2203 80106, 80297, 82462, two 316f and three 1547j		
80302	—		Roller Presser, $1\frac{1}{4}$" coarse roller, complete, Nos. SS50f, 440f, 1839, 2204, 80106, 80297, 82462, two 316f and three 1547j		
80303	—		Roller Presser, $1\frac{1}{4}$" fine roller, complete, Nos. SS50f, 440f, 1869, 2204, 80106, 80297, 82462, two 316f and three 1547j		

NOTE.—No. 80303 is supplied unless otherwise specified on order.

190d	2441		Roller Presser Screw
388d	2441		"	Screw for 1843 and 1867	...
652d	2441		"	" " 1868	...
386d	2441		"	" " 1839, 1842 and 1869	...
1550j	2441		"	" Nut for 1843 and 1867	...
1528j	2441		"	" " " 1839, 1842, 1868 and 1869	...
2073	2441		Shuttle Bobbin
2211	22		"	" Retaining Spring	...
2212	22		"	" " Rivet	...
*80199	22		"	Body with 398e, 2082, 2084, 2211 and two 2212	...
*2075	22		"	Cover	...
44001	—		"	" 2075 with 112e, 466al, 2078, 2080, 2086 and 2090	...
2076	22		"	" Hinge Pin	...
2078	22		"	Delivery Eye Thread Guard	...
2080	22		"	" " " Rivet	...
2082	22		"	Main Spring	...
398e	22		"	" " Screw	...
2084	22		"	" " Steady Pin	...
2086	22		"	Tension Spring	...
2090	22		"	" " Plate	...
466al	22		"	" " Regulating Screw	...
112e	22		"	" " Screw	...
80200	22		Shuttle, complete, Nos. 2073, 2076, 44001 and 80199

From the library of: Diamond Needle Corp

No.	Plate					
*80256	—	Shuttle Driver
80257	22	"	"	80256 with two 457c
2049	2453	"	"	Pin
457c	2453	"	"	Set Screw
2095	22	Shuttle Race Back
190c	2441	"	"	" Screw
2096	22	"	"	Body
158f	2446	"	"	Screw (2)
2093	22	Shuttle Race, complete, Nos. 2095, 2096 and two 190c
4305	107	Shuttle Race Slide
80528	—	"	"	" 4305 with 2824 and two 51282c
2824	107	"	"	" Spring
51282c	2444	"	"	" Screw
2102	105	Tension Disc
80081	2441	"	"	Release Pin
1560d	2441	"	"	Regulating Thumb Nut
*600f	2441	"	"	Screw Stud
16202	—	"	"	" 600f with 1560d
145e	2443	"	"	" Clamping Screw
80548	2441	"	"	Spring
80214	—	Tension, complete, Nos. 16202, 80548 and two 2102
80085	104	Thread Controller
82358	2441	Thread Guard
233d	2453	"	"	Screw
2112	104	Thread Retainer Guide Disc with 2113
2113	104	"	"	" " Steady Pin
460c	104	"	"	" Set Screw
2114	104	"	"	" Spring
2115	104	"	"	" Stud
2111	104	Thread Retainer Guide, complete, Nos. 2112, 2114 and 2115
80532	2443	Thread Take-up Cam with 446c...
3012	2449	"	"	" Pin
446c	2446	"	"	" Set Screw
3072	109	Thread Take-up Lever with 1819
76c	2467	"	"	" Hinge Screw
1819	2443	"	"	" Roller and Stud
80259	106	"	"	Spring

No.	Plate					
80101	69	Throat Plate	for size	9 to 14 Needles
80102	69	"	"	" " 16 " 18
80103	69	"	"	" " 19 " 22
80104	69	"	"	" " 23 " 25
691f	2455	"	"	Screw (2)
<i>NOTE.—No. 80102 is supplied unless otherwise specified on order.</i>						
80107	1381	Wrench
80865	—	Drip Pan	with four wood screws	$\frac{1}{2}$ " No. 5
*15404	—	Trade Mark
15405	—	"	"	Rivet

No. 16K28 Machine

Oscillating Shuttle. Wheel Feed. Roller Presser. For Waxed Thread.

This machine is the same as 16K25 with the following exceptions:—

No.	Plate	
*80894	—	Arm with 448c, 3005, 4449, 12453, 15404 and two 15405 ...
80554	—	Balance Wheel (two-speed 3 $\frac{3}{8}$ " and 5 $\frac{1}{8}$ " pulley) with two 448c
80707	—	Face Plate, complete, Nos. 145e, 233d, 460c, 2111, 80081, 80214, 80518, 80549 and 82358 ...
2664	—	Feed Wheel (Fine Teeth) ...
2258	96	" " (Medium Teeth) ...
15022	96	" " (Coarse Teeth) ...

NOTE.—No. 15022 is supplied unless otherwise specified on order.

80806	2438	Oil Box ...
145d	2443	" " Screw ...
80553	2443	" " Thread Retaining Spring ...
80552	2438	Oil Box, complete, Nos. 80553 and 80806 ...
80547	2443	Presser Bar Spring ...
80551	2443	Thread Take-up Cam with 446c (High Lift) ...
80550	109	" " Lever with 1819 ...
80549	2443	" " Spring ...
80101	69	Throat Plate for size 9 to 14 Needles ...
80102	69	" " " " 16 " 18 " ...
80103	69	" " " " 19 " 22 " ...
80104	69	" " " " 23 " 25 " ...

NOTE.—No. 80104 is supplied unless otherwise specified on order.

Parts Complete for No. 16K116 Machine

Fanning, for Power. Oscillating High Point Shuttle. Positive Stop-motion. For High Speeds.

No.	Plate	
*80555	—	Arm with 448c, 3005, 4449, 12453, 15404 and two 15405 ...
2002	2443	" Dowel Pin (2) ...
12453	2443	" Oil Tube for intermediate bearing ...
123e	2443	" Screw (3) ...
80943	—	Arm Shaft ...
3005	2446	" " Bushing (back) ...
448c	2446	" " " (") Set Screw ...
4449	2446	" " " (front) ...
4288	2438	Arm Side Cover ...
51224d	2444	" " " Thumb Screw ...
2007	2441	" Spool Pin ...
*80982	—	Bed ...
4292	685	Crank Connecting Rod with 4349 and two 158e ...
*4349	—	" " " Cap ...
158e	2446	" " " Screw ...
375c	2441	" " " Hinge Screw ...
1518e	2448	" " " " " Nut ...
80518	104	Face Plate ...
164d	2443	" " Screw ...
80682	2438	Face Plate, complete, Nos. 145e, 233d, 460c, 2111, 80081, 80211, 80259, 80518 and 82358 ...
80556	—	Lifting Presser Plunger ...
80685	107	" " " 80556 with 80557 and 80558 ...
80557	2453	" " " Roller ...
80558	2453	" " " Pin ...
80559b	—	" " " Yoke ...
80686b	107	" " " 80559b with SS44b and 178b ...
SS44b	2449	" " " Clamping Screw ...
178b	2467	" " " Set Screw ...

From the library of: Diamond Needle Corp

No.	Plate					
80519	2439	Needle Bar
80570	2453	"	"	Connecting Link with 175e
175e	2446	"	"	"	Clamping Screw	...
377c	2448	"	"	"	Hinge Screw	...
1518e	2448	"	"	"	"	Nut
80571	2453	"	"	"	Stud with SS85c	...
SS85c	2453	"	"	"	Set Screw	...
290e	2453	"	"	"	Screw Bushing (2)	...
80042	2441	Needle Clamp
^{1/51} 80056	2453	"	"	80042 with 196 ^{AL} , 240f and 80055
^{5/51} 196 ^{AL}	2453	"	"	Screw
80055	2453	"	"	Thread Eyelet
240f	118	"	"	"	Screw	...
4304	2442	Oscillating Rock Shaft	with 4784
3052	2442	"	"	"	Hinge Pin	...
1513j	2446	"	"	"	"	Nut
635c	2442	"	"	"	"	Screw Bearing
1513j	2446	"	"	"	"	Nut
4784	2442	"	"	"	Oil Pad	...
3053	2440	Oscillating Shuttle Shaft
15180	2442	"	"	"	Crank	...
*15161	—	"	"	"	15160 with 1519e and 15171	^{1/51} 4/49
15162	2442	"	"	"	15161 with two 462 ^{AL}	...
2049	2453	"	"	"	Pin	...
462 ^{AL}	2449	"	"	"	Set Screw	...
15170	2442	"	"	"	Slide Block	...
15171	2442	"	"	"	"	15170 with 226d, 1035c and 12424
226d	2442	"	"	"	"	Cap Screw
12424	2442	"	"	"	"	Washer
1035c	2442	"	"	"	"	Screw Stud
1519e	2453	"	"	"	"	Nut
3054	2439	Presser Bar
80269	2442	"	"	"	Lifter	...
689c	104	"	"	"	"	Screw
1520r	104	"	"	"	"	Nut
80945	2453	"	"	"	Lifting Bracket with 453c	...
453c	2447	"	"	"	"	Set Screw
290e	2453	"	"	"	"	Screw Bushing
32675	2442	"	"	"	"	Spring
262j	2442	"	"	"	"	Regulating Thumb Screw
1632c	2450	"	"	"	"	Lock Nut
80560	2450	"	"	"	"	Wrench ^{2/49}
2070	2442	"	"	"	"	Washer
15162	2442	Oscillating Shuttle Shaft Crank	15425 with 1519e, 15171 and two 462al
15425	—	Oscillating Shuttle Shaft Crank

No.	Plate					
80946	889	Presser Foot	(tube shaped)
190d	2441	"	"	"	Screw	...
2073	2441	Shuttle Bobbin
2211	22	"	"	"	Retaining Spring	...
2212	22	"	"	"	"	Rivet
*80237	2453	"	"	"	Body (high point) with 398e, 2082, 2084, 2211 and two 2212	...
*2075	22	"	"	"	Cover	...
44001	—	"	"	"	2075 with 112c, 466al, 2078, 2080, 2086 and 2090	...
2076	22	"	"	"	"	Hinge Pin
2078	22	"	"	"	Delivery Eye Thread Guard	...
2080	22	"	"	"	"	Rivet
2082	22	"	"	"	Main Spring	...
398e	22	"	"	"	"	Screw
2084	22	"	"	"	"	Steady Pin
2086	22	"	"	"	Tension Spring	...
2090	22	"	"	"	"	Plate
466al	22	"	"	"	"	Regulating Screw
112e	22	"	"	"	"	Screw
80236	2453	Shuttle	(high point), complete, Nos. 2073, 2076, 44001 and 80237
*80242	—	Shuttle Driver
80080	2453	"	"	"	80242 with two 457c	...
2049	2453	"	"	"	"	Pin
457c	2453	"	"	"	"	Set Screw
2095	22	Shuttle Race Back
190c	2441	"	"	"	"	Screw
80241	109	"	"	"	"	Body
158f	2446	"	"	"	"	Screw (2)
80240	109	Shuttle Race , complete, Nos. 2095, 80241 and two 190c
4305	107	Shuttle Race Slide
80528	—	"	"	"	4305 with 2824 and two 51282e	...
2824	107	"	"	"	"	Spring
51282e	2444	"	"	"	"	Screw
80947	887	Stop Motion Balance Wheel	with SS363e, SS364e, 80948 and two SS432c
80949	2454	"	"	"	"	Collar
80951	—	"	"	"	"	80949 with 80950
80950	2454	"	"	"	"	Stud
80952	887	"	"	"	"	Friction Pulley with 80953
80953	889	"	"	"	"	Centre Bearing
84719	889	"	"	"	"	"
80954	889	"	"	"	"	Releasing Spring (inside)

No.	Plate					
2102	105	Tension Disc				
80081	2441	" " Release Pin				
1560d	2441	" Regulating Thumb Nut				
*600f	2441	" Screw Stud				
16202	--	" " " 600f with 1560d				
115e	2443	" " " Clamping Screw				
2103	2444	" Spring				
80211	---	Tension, complete, Nos. 2103, 16202 and two 2102				
80972	2453	Thread Controller				
229d	2442	" " Screw				
80973	2453	" " Washer				
82358	2441	Thread Guard				
233d	2453	" " Screw				
2112	104	Thread Retainer Guide Disc with 2113				
2113	104	" " " " Steady Pin				
460c	104	" " " Set Screw... ..				
2114	104	" " " Spring				
2115	104	" " " Stud				
2111	104	Thread Retainer Guide, complete, Nos. 2112, 2114 and 2115...				
81015	889	Thread Take-up Cam with 446c				
81017	--	" " " 81015 with 191c, 704c, 3012 and 81016				
81016	889	" " " Lift Cam				
191c	2454	" " " " Screw (short)				
704c	2454	" " " " " (long)				
3012	2449	" " " Pin				
446c	2446	" " " Set Screw				
80560	109	Thread Take-up Lever with 1819				
76c	2467	" " " Hinge Screw				
1819	2443	" " " Roller and Stud				
80259	106	" " Spring				
80977	889	Throat Plate (fine needle hole)				
80978	889	" " (coarse needle hole)... ..				
691f	2455	" " Screw (2)				
<i>NOTE.-- No. 80978 is supplied unless otherwise specified on order.</i>						
44212	--	Drip Pan with four wood screws 1/2" No. 5				
*15404	--	Trade Mark				
15405	--	" " Rivet				

Parts Complete for No. 16K33 Machine

C.B. Shuttle. Drop Feed. For General Cloth Work.

No.	Plate				
*80892	---	Arm with 448c, 3005, 4449, 12453, 15404 and two 15405			
2002	2443	" Dowel Pin (2)			
12453	2443	" Oil Tube, for intermediate bearing			
123e	2443	" Screw (3)			
80795	2440	Arm Shaft for Tight Wheel Machine			
80501	2440	" " " Loose " "			
3005	2446	" " Bushing (back)			
448c	2446	" " " (") Set Screw			
4449	2446	" " " (front)			
144c	2443	" " Screw for 80795			
4288	2438	Arm Side Cover			
51224d	2444	" " " Thumb Screw			
2007	2441	" Spool Pin			
81033	92	Balance Wheel (2 1/2" pulley, heavy rim) with two 448c			
80504	92	" " (3" " " ") for stop motion			
448c	2446	" " Set Screw			
<i>NOTE. No. 81033 is supplied unless otherwise specified on order.</i>					
*80982	---	Bed			
256x ^w	2441	Clamp Stop Motion Clamp Screw			
248a	2441	" " " " Stop Screw			
2020	2441	" " " " Washer			
*3023	2441	" " " Flanged Bushing			
4933	2441	" " " " " 3023 with two 462x ^{AL}			
2022	133	" " " " " Pin... ..			
462x ^{AL}	2449	" " " " " Set Screw			
3022j	---	Clamp Stop Motion, complete, Nos. 248a, 256x^w, 2020 and 4933			
4292	685	Crank Connecting Rod with 4349 and two 158c			
*4349	---	" " " Cap			
158c	2446	" " " " Screw			
375c	2441	" " " Hinge Screw			
1518c	2448	" " " " " Nut			

From the Library of: Diamond Needle Corp

7/47

6/49

No.	Plate						
80518	104	Face Plate
164d	2443	" " Screw
80682	2438	Face Plate, complete, Nos. 145c, 233d, 460c, 2111, 80081, 80211, 80259, 80518 and 82358
4391	2444	Feed Bar
313c	2449	" " Screw Centre (2)
1519e	2453	" " " " Nut (2)
3032	2444	Feed Cam with 446c
446c	2446	" " Set Screw
52165	107	Feed Connecting Link
375c	2441	" " " Hinge Screw (2)
1518e	2448	" " " " Nut (2)
2506	64	Feed Dog (General Work)
80113	64	" " (Tailoring)
80114	64	" " (General Cloth Work)
80538	121	" " (Heavy Cloth)
80115	64	" " (Shirt Work)
208 ^{AL}	2444	" " Screw (2) 12/09
<i>NOTE. No. 80113 is supplied unless otherwise specified on order.</i>							
3037	2438	Feed Forked Connection
375c	2441	" " " Hinge Screw
1518e	2448	" " " " Nut
3165	2440	Feed Lifting Rock Shaft
80540	—	" " " " 3165 with 80541
80541	103	" " " " Crank with 157c and 1813
157c	2442	" " " " " Clamping Screw
1813	2449	" " " " " Roller and Stud
307c	2446	" " " " " Screw Centre (2)
1513j	2446	" " " " " Nut (2)
3039	103	Feed Regulator
1128e	2449	" " Hinge Screw
818d	104	" " Thumb Screw
3042	2440	Feed Rock Shaft
3041	—	" " " 3042 with 29633
29633	2442	" " " Crank with 157c
157c	2442	" " " " Clamping Screw
307c	2446	" " " " Screw Centre (2)
1513j	2446	" " " " Nut (2)

No.	Plate						
25527	2463	Guide
51224d	2444	" Thumb Screw
80519	2439	Needle Bar
*3045	2448	" " Connecting Link
377c	2448	" " " " Hinge Screw
1518e	2448	" " " " " Nut
2052	2443	" " " " Stud with 155c
155c	2443	" " " " Set Screw
290e	2453	" " Screw Bushing (2)
80042	2441	Needle Clamp
80520	2441	" " 80042 with 196 ^{AL} , 240f and 80521 4/51
196 ^{AL}	2453	" " Screw
80521	2441	" " Thread Eyelet
240f	118	" " " " Screw
4304	2442	Oscillating Rock Shaft with 4784
3052	2442	" " " Hinge Pin
1513j	2446	" " " " " Nut
635c	2442	" " " " " Screw Bearing
1513j	2446	" " " " " Nut
4784	2442	" " " Oil Pad
3168	2410	Oscillating Shuttle Shaft
15163	2442	" " " Crank
*15164	—	" " " " 15163 with 1519e and 15171 1/32
15165	2442	" " " " 15164 with two 462 ^{AL}
2049	2453	" " " " Pin
462 ^{AL}	2449	" " " " Set Screw
15170	2442	" " " " Slide Block
15171	2442	" " " " " 15170 with 226d, 1035c and 12424
226d	2442	" " " " " Cap Screw
12424	2442	" " " " " Washer
1035c	2442	" " " " " Screw Stud
1519e	2453	" " " " " Nut
3054	2439	Presser Bar
80269	2442	" " Lifter
689c	104	" " " Screw
1520r	104	" " " " Nut
80524	104	" " Lifting Bracket with 453c and 756c
453c	2447	" " " " Set Screw

15165 2442 Oscillating Shuttle Shaft Crank 15426 with 1519c, 15171 and two 462al

15426

Oscillating Shuttle Shaft Crank

1/32

From the library of: Hammond Needle Co.

No.	Plate	
756c	2467	Presser Bar Lifting Bracket Thread Controller Clamping Screw
290e	2453	" " Screw Bushing
32675	2442	" " Spring
262j	2442	" " " Regulating Thumb Screw
2070	2442	" " " Washer
15281	2444	Presser Foot for 2506
80058	2444	" " " 80113
2183	2444	" " " 80114
80059	2444	" " " 80115
3062	2444	" " " 80538
190d	2441	" " " Screw

NOTE. No. 80058 is supplied unless otherwise specified on order.

2518	23	Shuttle Bobbin
462730		" " Case
15277	23	Shuttle Bobbin Case with 5911, 592c, 2975, 15141 and 15278
15141		" " " Hinge, complete, Nos. 2973, 2974 and 15140
15140	23	" " " Latch
2973	23	" " " " Lever
2974	23	" " " " Fulcrum Pin
2975	23	" " " " Spring
592c	23	" " " " Stop screw
15027		" " " " Position Finger
2523		" " " " Rivet
2515	23	" " Body
5911	23	" " Tension Regulating Screw
15278	23	" " Spring
125018	—	Shuttle 1 1/8" diam., complete, Nos. 2515, 2518 and 15277
*2512	—	Shuttle Driver
2441	23	" " 2512 with two 462c AL
2049	2453	" " Pin
462cAL	2449	" " Set Screw
2531	23	Shuttle Race Back
2532	23	" " " Position Pin
125080 2533	23	" " " Spring
6488j	2444	" " " " Screw
2530	23	" " " Body
15437	—	" " " 2530 with 2535, two each 662d and 2532
2535	23	" " " Cap
662d	2444	" " " " Screw
145d	2443	" " " " Screw (2)

No.	Plate	
56807 2528		Shuttle Race , complete, Nos. 6488j 2531, ¹²⁵⁰⁸⁰ 2533 and 15437
4305	107	Shuttle Race Slide
80528	—	" " " 4305 with 2824 and two 51282c
2824	107	" " " " Spring
51282c	2444	" " " " " Screw
2102	105	Tension Disc
80081	2441	" " " Release Pin
1560d	2441	" " " Regulating Thumb Nut
*600f	2441	" " " Screw Stud
16202	—	" " " 600f with 1560d
145e	2113	" " " " Clamping Screw
2103	2111	" " " Spring
80211		Tension , complete, Nos. 2103, 16202, and two 2102
80085	104	Thread Controller
82358	2441	Thread Guard
233d	2453	" " " Screw
2112	104	Thread Retainer Guide Disc with 2113
2113	104	" " " " " Steady Pin
460c	104	" " " " " Set Screw
2114	104	" " " " " Spring
2115	104	" " " " " Stud
2111	104	Thread Retainer Guide , complete, Nos. 2112, 2114 and 2115
80544	2444	Thread Take-up Cam with 446c
3012	2449	" " " " Pin
446c	2446	" " " " " Set Screw
3072	109	Thread Take-up Lever with 1819
76c	2467	" " " " " Hinge Screw
1819	2443	" " " " " Roller and Stud
80259	106	" " " " " Spring
2831	64	Throat Plate for 2506
80119	64	" " " " 80113
2897	64	" " " " 80114
80120	64	" " " " 80115
80545	121	" " " " 80538
6911	2455	" " " " " Screw (2)

NOTE. No. 80119 is supplied unless otherwise specified on order.

44212	—	Drip Pan , with four wood screws 1/2" No. 5
*15404	—	Trade Mark
15405	—	" " Rivet

From the library of: Diamond Needle Corp.

No. 16K39 Machine

C.B. Shuttle. Drop Feed. Lifting Presser.

This machine is the same as 16K33 with the following exceptions:

No.	Plate	
*80893	—	Arm with 448c, 3005, 4449, 12453, 15404 and two 15405
80556	—	Lifting Presser Plunger
80685	107	" " " 80556 with 80557 and 80558
80557	2453	" " " Roller
80558	2453	" " " " Pin
80559b	—	" " " Yoke
80686b	107	" " " 80559b with SS44b and 178b
SS44b	2449	" " " " Clamping Screw
178b	2467	" " " " Set Screw
80570	2453	Needle Bar Connecting Link with 175e
175e	2446	" " " " Clamping Screw
80571	2453	" " " " Stud with SS85c
SS85c	2453	" " " " Set Screw
80056	2453	Needle Clamp 80042 with 196 ^{AL} 240f and 80055
80055	2453	" " " Thread Eyelet
80979	—	Presser Bar
1632c	2450	" " " Spring Regulating Thumb Screw Lock Nut
80560	2450	" " " " " " " " Wrench
80566	109	Thread Take-up Cam with 446c
80563	—	" " " 80566 with 80567 and two 701e
80564	109	" " " 80566 with 80568 and two 701e (High Lift)
80567	109	" " " " Lifting Cam for 80563
80568	109	" " " " " " " 80564
704e	2454	" " " " " " " Screw
80560	109	Thread Take-up Lever with 1819

NOTE:- No. 80563 is supplied unless No. 80564 is specified on order.

No. 16K53 Machine

C.B. Shuttle. Drop Feed. Roller Presser. For Leather.

This machine is the same as 16K33 with the following exceptions:

No.	Plate	
80118	121	Feed Dog
2180	2444	Presser Foot
NOTE: - No. 2180 is only supplied when ordered and at an extra charge		
1867	—	Roller, $\frac{9}{16}$ " diam., coarse, with 388d and 1550j
1843	1381	" $\frac{9}{16}$ " " fine, " 388d " 1550j
1868	—	" $\frac{7}{8}$ " " coarse, " 652d " 1528j
1842	1381	" $\frac{7}{8}$ " " fine, " 386d " 1528j
1839	1381	" $1\frac{1}{4}$ " " coarse, " 386d " 1528j
1869	—	" $1\frac{1}{4}$ " " fine, " 386d " 1528j
2202	1381	" Arm for 80298 and 80309
2203	1381	" " " 80300 " 80301
2204	1381	" " " 80302 " 80303
4401	2441	" " " Adjusting Screw
1547j	2460	" " " " Nut
80297	1381	" " " Bracket
316f	2460	" " " " Screw Centre
1547j	2460	" " " " " " Nut
80106	1381	" " " Lock Spring
SS50f	183	" " " " " Screw
82462	1381	" " " " " " Washer
80298	—	Roller Presser, $\frac{9}{16}$ " coarse roller, complete, Nos. SS50f, 440f, 1867, 2202, 80106, 80297, 82462, two 316f and three 1547j
80299	—	Roller Presser, $\frac{9}{16}$ " fine roller, complete, Nos. SS50f, 440f, 1843, 2202, 80106, 80297, 82462, two 316f and three 1547j
80300	—	Roller Presser, $\frac{7}{8}$ " coarse roller, complete, Nos. SS50f, 440f, 1868, 2203, 80106, 80297, 82462, two 316f and three 1547j
80301	—	Roller Presser, $\frac{7}{8}$ " fine roller, complete, Nos. SS50f, 440f, 1842, 2203, 80106, 80297, 82462, two 316f, and three 1547j
80302	—	Roller Presser, $1\frac{1}{4}$ " coarse, roller complete, Nos. SS50f, 440f, 1839, 2204, 80106, 80297, 82462, two 316f, and three 1547j
80303	—	Roller Presser, $1\frac{1}{4}$ " fine roller, complete, Nos. SS50f, 440f, 1869, 2204, 80106, 80297, 82462, two 316f, and three 1547j
NOTE No. 80303 is supplied unless otherwise specified on order.		
190d	2441	Roller Presser Screw
388d	2441	" " " Screw for 1843 and 1867
652d	2441	" " " " 1868
386d	2441	" " " " 1839, 1842 and 1869
1550j	2441	" " " Nut for 1843 and 1867
1528j	2441	" " " " 1839, 1842, 1868 and 1869
80122	121	Throat Plate, for 80118
80107	1381	Wrench

From the Library of: Diamond Needle Corp.

No. 16K55 Machine

C.B. Shuttle. Wheel Feed. Roller Presser. For Leather

This machine is the same as 16K33 with the following exceptions:

No.	Plate	
*80984	—	Bed
80696	—	Face Plate , complete, Nos. 145c, 233d, 460c, 2111, 80081, 80214, 80259, 80518 and 82358
3074	2443	Feed Eccentric with 446c
446c	2446	" " Set Screw
2664	—	Feed Wheel (fine teeth)
2258	96	" " (medium teeth)
15022	96	" " (coarse teeth)
<i>NOTE. —No. 2258 is supplied unless otherwise specified on order.</i>		
80094	96	Feed Wheel Driver , complete, Nos. 2266, 80097, two each 80095 and 80096
80097	2445	" " " Bushing
80095	2445	" " " Collar
80096	2445	" " " Rivet
80613	118	" " " Link
324d	2441	" " " Screw
80098	118	" " " Spring
2266	2441	" " " Hook
80612	118	Feed Wheel Frame with 453c
80801	—	Feed Wheel Frame , complete, Nos. 151c, 152d, 164d, 210d, 2252 to 2255, 2258, 3077, 80093, 80099, 80612 and two 205d
3077	118	Feed Wheel Frame Shaft
453c	2447	" " " Set Screw
80093	118	" " " Suspension Bracket
152d	118	" " " Adjusting Screw
164d	2443	" " " Binding Screw
2253	69	" " Friction Plate (back)
151c	2441	" " " (") Screw
2252	69	" " " (front)
205d	2441	" " " (") Screw

No.	Plate	
2254	118	Feed Wheel Retaining Clutch
2255	69	" " " Cap
205d	2441	" " " Screw
80099	118	" " " Spring
210d	118	" " " Screw
80100	69	Presser Foot

NOTE. No. 80100 is only supplied when ordered and at an extra charge.

1867	—	Roller , $\frac{9}{16}$ " diam., coarse, with 388d and 1550j
1813	1381	" $\frac{9}{16}$ " " fine, " 388d " 1550j
1868	—	" $\frac{7}{8}$ " " coarse, " 652d " 1528j
1812	1381	" $\frac{7}{8}$ " " fine, " 386d " 1528j
1839	1381	" $1\frac{1}{4}$ " " coarse, " 386d " 1528j
1869	—	" $1\frac{1}{4}$ " " fine, " 386d " 1528j
2202	1381	" Arm for 80298 and 80299
2203	1381	" " " 80300 " 80301
2204	1381	" " " 80302 " 80303
440f	2441	" " Adjusting Screw
1547j	2460	" " " Nut
80297	1381	" " Bracket
316f	2460	" " " Screw Centre
1547j	2460	" " " Nut
80106	1381	" " Lock Spring
SS501	183	" " " Screw
82462	1381	" " " Washer

80298 **Roller Presser**, $\frac{9}{16}$ " coarse roller, complete, Nos. SS501, 440f, 1867, 2202, 80106, 80297, 82462, two 316f and three 1547j ...

80299 **Roller Presser**, $\frac{9}{16}$ " fine roller, complete, Nos. SS501, 440f, 1843, 2202, 80106, 80297, 82462, two 316f, and three 1547j ...

80300 **Roller Presser**, $\frac{7}{8}$ " coarse roller, complete, Nos. SS501, 440f, 1868, 2203, 80106, 80297, 82462, two 316f and three 1547j ...

80301 **Roller Presser**, $\frac{7}{8}$ " fine roller, complete, Nos. SS501, 440f, 1842, 2203, 80106, 80297, 82462, two 316f, and three 1547j ...

80302 **Roller Presser**, $1\frac{1}{4}$ " coarse roller, complete, Nos. SS501, 440f, 1839, 2204, 80106, 80297, 82462, two 316f, and three 1547j ...

80303 **Roller Presser**, $1\frac{1}{4}$ " fine roller, complete, Nos. SS501, 440f, 1869, 2204, 80106, 80297, 82462, two 316f, and three 1547j ...

NOTE. No. 80303 is supplied unless otherwise specified on order.

From the library of: Diamond Needle Corp

No.	Plate					
190d	2441	Roller Presser Screw
388d	2441	" Screw for 1843 and 1867
652d	2441	" " " 1868
386d	2441	" " " 1839, 1842 and 1869
1550j	2441	" " Nut for 1843 and 1867
1528j	2441	" " " " 1839, 1842, 1868 and 1869
2614	2445	Shuttle Race Back
907d	2445	" " " Spring Screw
2517	2445	" " " Body
15438	...	" " " 2547 with 2548, two each 662d and 2532
2548	2445	" " " Cap
2546	...	Shuttle Race, complete, Nos. 907d, ¹²⁵⁰⁸⁰2532, 2614 and 15438
						³⁾⁴⁸ 12/49
80548	2441	Tension Spring
80214	...	Tension, complete, Nos. 16202, 80548 and two 2102
80101	69	Throat Plate for size 9 to 14 Needles
80102	69	" " " " 16 " 18 " "
80103	69	" " " " 19 " 22 " "
80104	69	" " " " 23 " 25 " "
691f	2455	" " " Screw

NOTE: No. 80102 is supplied unless otherwise specified on order.

80107	1381	Wrench
80865	---	Drip Pan with four wood screws 1/2" No. 5

Parts Complete for No. 16K107 Machine

C.B. Shuttle. Top and Bottom Feed. High Lift.
For Welting, Rug Binding, etc.

No.	Plate					
*80718	---	Arm with 448c, 3005, 15404 and two 15405
2002	2443	" Dowel Pin (2)
123e	2443	" Screw (3)
80721	95	Arm Shaft
3005	2446	" " Bushing (back)
448c	2446	" " " (") Set Screw
144c	2443	" " " Screw
80719	93	Arm Side Cover (front)
SS56d	2466	" " " (") Screw
80720	95	" " " (back)
283d	2450	" " " (") Thumb Screw
80722	93	Balance Wheel (3 1/2" pulley, heavy rim), with two 435c
435c	2450	" " " Set Screw
*80985	---	Bed
80724	95	Crank Connecting Rod with 81014 and two 158c
*81014	---	" " " " Cap
158c	2446	" " " " Screw
375c	2441	" " " " Hinge Screw
1518e	2448	" " " " " Nut
80737	93	Face Plate
164d	2443	" " " Screw (top)
207d	2412	" " " " (bottom)
80738	---	Face Plate, complete, Nos. 145c, 233d, 2108, 80081, 80211, 80259, 80688 and 80737
80735	2449	Feed Bar with 80036
80038	2449	" " Retaining Spring
80036	2449	" " " " Pin
313c	2449	" " " Screw Centre (2)
1519e	2453	" " " " Nut (2)

From the library of: Diamond Needle Corp.

No.	Plate						
3032	2444	Feed Cam with 446c
446c	2446	" " Set Screw
52165	107	Feed Connecting Link
375c	2441	" " " Hinge Screw (2)
1518e	2448	" " " " Nut (2)
80736	107	Feed Dog
2088 ^{AL}	2444	" " Screw (2)	12/49
80726	95	Feed Forked Connection
375c	2441	" " " Hinge Screw
1518e	2448	" " " " Nut
3165	2440	Feed Lifting Rock Shaft
80540		" " " " 3165 with 80541
80541	103	" " " " Crank with 157c and 1813
157c	2442	" " " " Clamping Screw
1813	2449	" " " " Roller and Stud
307c	2446	" " " " Screw Centre (2)
1513j	2446	" " " " Nut (2)
3039	103	Feed Regulator
1128e	2449	" " Hinge Screw
SS113d	2449	" " Thumb Screw
80727	2449	" " " " Marker
80728	96	Feed Rock Shaft with 80036
80729	---	" " " 80728 with 80730
80731	103	" " " Bracket (front)
80732	103	" " " (back)
SS70c	2450	" " " Screw
80734	96	" " " Stay Rod
190d	2441	" " " " Screw
80733	2449	" " " Steady Pin
80730	2449	" " " Crank with 446c
3012	2449	" " " Pin
446c	2446	" " " Set Screw
80036	2449	" " " Retaining Spring Pin
307c	2446	" " " Screw Centre (2)
1513j	2446	" " " Nut (2)
80556		Lifting Presser Plunger
80685	107	" " " 80556 with 80557 and 80558
80557	2453	" " " Roller
80558	2453	" " " Pin
80818	2449	" " " Yoke
80819		" " " 80818 with SS44b and 178b
SS44b	2449	" " " Clamping Screw
178b	2467	" " " Set Screw

No.	Plate						
81025	2439	Needle Bar
81027		" " 81025 with 196 ^{AL} , 240f and 81026	5/0
80570	2453	" " Connecting Link with 175c
175c	2446	" " " Clamping Screw
377c	2418	" " " Hinge Screw
1518e	2418	" " " " Nut
80740	2449	" " " Stud with SS85c
SS85c	2453	" " " Set Screw
81026	2419	" " Thread Guide
240f	118	" " " Screw
5/8 196 ^{AL}	2453	" Set Screw
80010	103	Oscillating Rock Shaft with 233d, 2170, two each 2171 and 2174
2170	2419	" " " Oil Pad
233d	2453	" " " Screw
307c	2416	" " " Screw Centre
1513j	2446	" " " Nut
2171	2419	" " " Steel Plate
2174	2419	" " " Rivet
3168	2410	Oscillating Shuttle Shaft
*2416	2449	" " " Crank with 1813
2511		" " " 2416 with two 462 ^{AL}	6/24
2049	2453	" " " Pin
1813	2419	" " " Roller and Stud
462 ^{AL}	2419	" " " Set Screw
80743	96	Presser Bar
80744	105	" " Collar with 207d
207d	2412	" " " Set Screw
80749	105	" " Hinged Bar
586d	2450	" " " Hinge Screw
80750		" " " Travelling Foot Base
80751		" " " Bracket
80752		" " " Hinge Pin
SS189d	2450	" " " Screw
157d	2442	" " " Screw
1547c	2460	" " " Nut
80753	105	Presser Bar Hinged Bar Travelling Foot , complete, Nos. SS189d and 80750 to 80752

From the Library of: Diamond Needle Corp

No.	Plate	
80746	105	Presser Bar Lifter
598c	2450	" " " Hinge Screw
1547c	2460	" " " " Nut
80745	103	" " " Lifting Bracket with 453c
453c	2447	" " " " Set Screw
80747	2450	" " " Spring
SS111e	2447	" " " Regulating Thumb Screw
1632c	2450	" " " " " " Lock Nut
80560	2450	" " " " " " Wrench ^{4/49}
80748	2450	" " " Washer
80755	—	Reel Holder Rod
80756	95	" " " 80755 with SS191d
196 ^{AL}	2453	" " " Set Screw
SS191d	2450	" " " Spool Pin
NN21d	2450	" " " " " Jam Nut
80757	106	" " " " " Washer (leather)
80754	—	Reel Holder (top), complete, Nos. 196^{AL}, 80756, two each NN21d ⁹⁰ and 80757
2518	23	Shuttle Bobbin
*62739	—	" " " Case
15277	23	" " " complete, Nos. 5911, 592c, 2975, 15141 and 15278 ... ^{7/47}
15277	23	Shuttle Bobbin Case with 5911, 592c, 2975, 15141 and 15278 ... ^{7/47}
15140	23	" " " Hinge, complete, Nos. 2973, 2974 and 15140
15140	23	" " " Latch
2973	23	" " " " Lever
2974	23	" " " " Fulcrum Pin
2975	23	" " " " Spring
592e	23	" " " " Step Screw
15027	—	" " " Position Finger
2523	—	" " " " Rivet
2515	23	" " " Body
5911	23	" " " Tension Regulating Screw
15278	23	" " " Spring
125018	—	Shuttle, 1 1/8" diam., complete, Nos. 2515, 2518 and 15277
*2542	—	Shuttle Driver
2441	23	" " " 2542 with two 462c ^{AL}
2049	2453	" " " Pin
462 ^{AL}	2449	" " " Set Screw
2531	23	Shuttle Race Back
2532	23	" " " Position Pin
2533	23	" " " Spring
6480 ^J	2444	" " " " Screw ^{12/49 3/48}
2530	23	" " " Body
15437	—	" " " 2530 with 2535, two each 662d and 2532

No.	Plate	
2535	23	Shuttle Race Cap
662d	2444	" " " Screw
145d	2443	" " " Screw (2)
50897 2528	—	Shuttle Race, complete, Nos. 648N^J, 2531, ¹²⁵⁰⁸⁰ 2533 and 15437
4305	107	Shuttle Race Slide
80528	—	" " " 4305 with 2824 and two 51282e
2824	107	" " " Spring
51282e	2444	" " " " Screw
80758	93	Side Rock Shaft
80761	—	" " " 80758 with 80759
80759	105	" " " Connection Crank with 448c
80760	2450	" " " " Pin
448c	2446	" " " " Set Screw
80714	2450	" " " Hinged Joint
80762	—	" " " " 80714 with NN36d, 80763 and two 220d
80763	—	" " " " Cap
220d	2450	" " " " Screw
NN36d	2450	" " " " Nut
80509	2450	" " " " Wrench ^{6/47}
80764	—	" " " Quadrant with SS236c
80768	95	" " " " 80764 with RR23 and 80789
80772	106	" " " " Cam with two 448c
RR23	2450	" " " " Roller
80789	2450	" " " " Pin
448c	2446	" " " " Set Screw
2117	2447	" " " " Pin
80773	105	" " " " Pitman
80776	—	" " " " 80773 with 240d, 80774 and 80775
80774	106	" " " " Bushing
378c	2450	" " " " Hinge Screw
1520r	104	" " " " Nut
80775	107	" " " " Stitch Marker
240d	118	" " " " Screw
SS236c	2450	" " " " Set Screw
80770	106	" " " " Shaft
80771	107	" " " " Collar with two 453c
453c	2447	" " " " Set Screw
80769	106	" " " " Spring
SS164c	2450	" " " " Hook
190e	2441	" " " " Screw

From the library of: Diamond Needle Corp.

~~25080~~ 2533 ~~23~~

No.	Plate							
80766	103	Side Rock Shaft Quadrant Stitch Regulator Bolt
5/8" 196N	2453	" " " " " " " " " " Screw (top)
SS188d	2450	" " " " " " " " " " " (bottom)
80767	107	" " " " " " " " " " Stop Washer
NN81d	2450	" " " " " " " " " " " Wing
								Nut
307c	2446	" " " " " " " " " " Screw Centre
1513j	2446	" " " " " " " " " " Nut
80778	106	Spool Holder Base with 80782
62d	2450	" " " " " " " " " " Binding Screw
80779	106	" " " " " " " " " " Spring Washer
80780	106	" " " " " " " " " " Spool Pin with 80781
80781	---	" " " " " " " " " " Plate
80782	---	" " " " " " " " " " Check Pin	7/47
80777	---	Spool Holder (swinging), complete, Nos. 62d and 80778 to 80780
2102	105	Tension Disc
80081	2111	" " " " " " " " " " Release Pin
1560d	2441	" " " " " " " " " " Regulating Thumb Nut
*600f	2441	" " " " " " " " " " Screw Stud
16202	---	" " " " " " " " " " 600f with 1560d
145c	2443	" " " " " " " " " " Clamping Screw
2103	2441	" " " " " " " " " " Spring
80211	---	Tension , complete, Nos. 2103, 16202 and two 2102
2108	2450	Thread Guard
80784	105	Thread Take-up Cam with 146c
80785	---	" " " " " " " " " " 80784 with 80786 and two 701c
80786	105	" " " " " " " " " " Lifting Cam
704e	2454	" " " " " " " " " " Screw
3012	2449	" " " " " " " " " " Pin
446c	2446	" " " " " " " " " " Set Screw
80783	106	Thread Take-up Lever with 1819
76c	2467	" " " " " " " " " " Hinge Screw
1819	2443	" " " " " " " " " " Roller and Stud
80259	106	Thread Take-up Spring
80688	106	" " " " " " " " " " Regulator Plate
233d	2453	" " " " " " " " " " Screw
80787	107	Throat Plate for 80736
691f	2455	" " " " " " " " " " Screw (2)
SS65d	2450	Welting Gauge Binding Screw
80788	2450	" " " " " " " " " " Washer
80823	---	Drip Pan with six wood screws 1/2" No. 5
*15404	---	Trade Mark
15405	---	" " " " " " " " " " Rivet

No. 16K110 Machine

C.B. Shuttle. Wheel Feed. Roller Presser. For Waxed Thread.

This machine is the same as 16K33 with the following exceptions:—

No.	Plate							
*80894	---	Arm with 448c, 3005, 4449, 12453, 15404 and two 15405
80554	---	Balance Wheel (two-speed, 3 3/8" and 5 3/8" pulley) with two 448c
*80984	---	Bed
80707	---	Face Plate , complete, Nos. 145c, 233d, 460c, 2111, 80081, 80214, 80518, 80549 and 82358
3074	2443	Feed Eccentric with 446c
446c	2446	" " " " " " " " " " Set Screw
2664	---	Feed Wheel (fine teeth)
2258	96	" " " " (medium teeth)
15022	96	" " " " (coarse teeth)
NOTE. -No. 15022 is supplied unless otherwise specified on order.								
80094	96	Feed Wheel Driver , complete, Nos. 2266, 80097, two each 80095 and 80096
80097	2445	" " " " " " " " " " Bushing
80095	2445	" " " " " " " " " " Collar
80096	2445	" " " " " " " " " " Rivet
80613	118	" " " " " " " " " " Link
324d	2441	" " " " " " " " " " Screw
80098	118	" " " " " " " " " " Spring
2266	2441	" " " " " " " " " " Hook
80612	118	Feed Wheel Frame with 453c
80801	---	" " " " " " " " " " complete, Nos. 151c, 152d, 164d, 240d, 2252 to 2255, 2258, 3077, 80093, 80099, 80612 and two 205d
3077	118	Feed Wheel Frame Shaft
453c	2447	" " " " " " " " " " Set Screw
80093	118	" " " " " " " " " " Suspension Bracket
152d	118	" " " " " " " " " " Adjusting Screw
164d	2443	" " " " " " " " " " Binding Screw
2253	69	" " " " " " " " " " Friction Plate (back)
151c	2441	" " " " " " " " " " (") Screw
2252	69	" " " " " " " " " " (front)
205d	2441	" " " " " " " " " " (") Screw

No.	Plate					
2254	118	Feed Wheel Retaining Clutch
2255	69	" " " "	Cap
205d	2441	" " " "	" Screw
80099	118	" " " "	Spring
240d	118	" " " "	" Screw
80806	2438	Oil Box
145d	2443	" " Screw
80553	2443	" " Thread Retaining Spring
80552	2438	Oil Box, complete, Nos. 80553 and 80806
80547	2443	Presser Bar Spring
80100	69	Presser Foot

NOTE:—No. 80100 is only supplied when ordered and at an extra charge.

1867	—	Roller,	$\frac{9}{16}$ " diam., coarse, with 388d and 1550j
1843	1381	"	$\frac{1}{16}$ " " fine, " 388d " 1550j
1868	—	"	$\frac{7}{8}$ " " coarse, " 652d " 1528j
1842	1381	"	$\frac{7}{8}$ " " fine, " 386d " 1528j
1839	1381	"	$1\frac{1}{4}$ " " coarse, " 386d " 1528j
1869	—	"	$1\frac{1}{4}$ " " fine, " 386d " 1528j
2202	1381	"	Arm for 80298 and 80299
2203	1381	"	" " " 80300 " 80301
2204	1381	"	" " " 80302 " 80303
440f	2441	"	" " Adjusting Screw
1547j	2460	"	" " " " Nut
80297	1381	"	" " Bracket
316f	2460	"	" " " Screw Centre
1547j	2460	"	" " " " Nut
80106	1381	"	" " Lock Spring...
SS50f	183	"	" " " " Screw
82462	1381	"	" " " " Washer
80298	—	Roller Presser,	$\frac{9}{16}$ " coarse roller, complete, Nos. SS50f, 440f, 1867, 2202, 80106, 80297, 82462, two 316f and three 1547j
80299	—	Roller Presser,	$\frac{9}{16}$ " fine roller, complete, Nos. SS50f, 440f, 1843, 2202, 80106, 80297, 82462, two 316f and three 1547j
80300	—	Roller Presser,	$\frac{7}{8}$ " coarse roller, complete, Nos. SS50f, 440f, 1868, 2203, 80106, 80297, 82462, two 316f and three 1547j
80301	—	Roller Presser,	$\frac{7}{8}$ " fine roller, complete, Nos. SS50f, 440f, 1842, 2203, 80106, 80297, 82462, two 316f and three 1547j
80302	—	Roller Presser,	$1\frac{1}{4}$ " coarse roller, complete, Nos. SS50f, 440f, 1839, 2204, 80106, 80297, 82462, two 316f and three 1547j
80303	—	Roller Presser,	$1\frac{1}{4}$ " fine roller, complete, Nos. SS50f, 440f, 1869, 2204, 80106, 80297, 82462, two 316f and three 1547j

NOTE:—No. 80303 is supplied unless otherwise specified on order.

No.	Plate					
190d	2441	Roller Presser Screw
388d	2441	" Screw for 1843 and 1867
652d	2441	" " " 1868
386d	2441	" " " 1839, 1842 and 1869
1550j	2441	" " Nut for 1843 and 1867
1528j	2441	" " " " 1839, 1842, 1868 and 1869
2614	2445	Shuttle Race Back
907d	2445	" " " Spring Screw
2547	2445	" " " Body
15438	—	" " " 2547 with 2548, two each 662d and 2532
2548	2445	" " Cap
2546	—	Shuttle Race, complete, Nos. 907d, 933, 2614, and 15438
80548	2441	Tension Spring
80214	—	Tension, complete, Nos. 16202, 80548 and two 2102
80550	109	Thread Take-up Lever with 1819
80549	2443	" " Spring
80101	69	Throat Plate for size 9 to 14 Needles
80102	69	" " " " 16 " 18 "
80103	69	" " " " 19 " 22 "
80104	69	" " " " 23 " 25 "
691f	2455	" " Screw (2)

NOTE: No. 80104 is supplied unless otherwise specified on order.

80107	1381	Wrench
80865	—	Drip Pan with four wood screws $\frac{1}{2}$" No. 5

From the Library of: Diamond:Needle:Corp

3/48
12/49

6/49

No. 16K111 Machine

C.B Shuttle, Universal Feed, with Feed Controlling Handle on bottom.
For Lettering, Scroll Tracing, etc.

This machine is the same as 16K33 with the following exceptions:

No.	Plate						
*80986		Bed
80696		Face Plate , complete, Nos. 145e, 233d, 460c, 2111, 80081, 80214, 80259, 80518 and 82358
80830	751	Feed Bar
80831	751	" " Ball Joint
80832	751	" " " " Cap...
	217d	" " " " Screw (3)
80833	751	" " " " Eccentric (angled)
	8569	" " " " Pin
80834	751	" " " " Gib
80835	751	" " " " Spindle with 80837
80836	751	" " " " Bush (for Bed)
80837	2451	" " " " Key
80838	751	" " " " Sleeve
80839	751	" " Bracket with two 175d
	175d	" " " Adjusting Screw
80840	751	" " " Spindle
80841	-	Feed Dog (fine)...
80842	2451	" " (coarse)
	202e	" " Screw (2)
<i>NOTE. - No. 80842 is supplied unless otherwise specified on order.</i>							
80843	-	Feed Lifting Rock Shaft 3165 with 80844
80844	2451	" " " " Crank with RR59 and 157c
RR59	2451	" " " " Roller and Stud
80845	2439	Feed Motion Bracket
	158d	" " " Binding Screw (2)
80846	751	" " " Spindle with 80848
80847	751	" " " Head
80848	-	" " " Position Pin
SS332c	751	" " " Screw
80849	751	" " " Spring
	2049	" " " Steady Pin (2)

No.	Plate						
80023	2439	Feed Motion Controlling Handle (wood)
80850	2439	" " " " Lever with 453c
	153b	" " " " Set Screw
	8433	" " " " Spindle
80025	2451	" " " " Washer (brass)
80851	2439	Feed Motion Controlling Handle , complete, Nos. 8433, 80023, 80025 and 80850
80852	2439	Feed Rock Shaft
80853	751	" " " Centre (double)
80854	2451	" " " Crank with 1624 and 1822
	1822	" " " Roller and Stud
80056	2453	Needle Clamp 80012 with 196 ^{4c} 240f and 80055
80055	2453	" " Thread Eyelet
81011	2439	Presser Bar
81012	2451	Presser Foot Frame with 198d
	198d	" " " Adjusting Screw
80857	2451	" " " Disc (Glass)
	2273	" " " Position Pin
81013	2451	Presser Foot (circular), complete, Nos. 80857 and 81012
80859	2451	Shuttle Race Slide
80860		" " " 80859 with 2824 and two 282e
80548	2441	Tension Spring
80214	-	Tension , complete, Nos. 16202, 80518 and two 2102
80861		Throat Plate (fine needle hole)
80862		" " (medium needle hole)
80863	2451	" " (coarse " ")

NOTE. No. 80863 is supplied unless otherwise specified on order.

81034		Feed Motion Controller , Complete, Nos. SS332c, 8569, 80830 to 80836, 80838 to 80840, (80845 to 80845-80845) 80851, 80853, 80854 and three 217d
-------	--	--	-----	-----	-----	-----	-----

6/79

5/59

No. 16K113 Machine

C.B. Shuttle. Reversible Drop Feed. For Cloth.

This machine is the same as 16K33 with the following exceptions:—

No.	Plate	
*80895	—	Arm with 448c, 3005, 4449, 12453, 15404 and two 15405
80539	121	Feed Dog
44003	96	Feed Forked Connection
12332	2452	Feed Regulator and Reverser
12333	2452	" " Handle
12323	2452	" " " Friction Spring
835d	2452	" " " Screw
834d	2452	" " " Thumb Screw
81025	2439	Needle Bar
81027	—	" " 81025 with 196 ^{AL} , 240f, and 81026
80710	2452	" " Connecting Stud with 155c
81026	2449	" " Thread Guide
240f	118	" " " " Screw
* 196 ^{AL}	2453	" Set Screw
80711	2439	Presser Bar
80821	2467	" " Lifting Bracket with 453c and 756c
80712	2452	" " Spring
SS111c	2447	" " " Regulating Thumb Screw
11170	2452	" " " Washer
80527	2452	Presser Foot
80546	121	Throat Plate

No. 16K117 Machine

C.B. Shuttle. No Feed. For Darning Linen Table Cloths, Napkins, Sheets, Towels, etc.

This machine is the same as 16K33, less Feed Parts, with the following exceptions:—

No.	Plate	
*80902	—	Arm with 448c, 3005, 4449, 12453, 15404 and two 15405
*80987	—	Bed
80904	883	Face Plate
80905	—	Face Plate, complete, Nos. 145c, 233d, 2108, 80081, 80211, 80259, 80688 and 80904
80938	2439	Needle Bar
80929	—	" " 80938 with SS237c, 620c and 24391
24391	2456	" " Thread Guard
620c	2456	" " " " Set Screw
SS237c	2456	" Set Screw
80908	886	Oscillating Shuttle Shaft
80909	2455	" " " Cam with two 448c
448c	2446	" " " " Set Screw
80913	2456	Presser Bar Lifter
80910	2456	" " Spring (upper)
80911	2456	" " " (lower)
262j	2442	" " " (") Regulating Thumb Screw
80912	883	" " Spring Bracket with 453c
80914	—	Presser Foot Bracket
80915	2456	" " Hinge Pin
80916	—	" " Sole
80917	883	Presser Foot (hinged), complete, Nos. 80914 to 80916
4820	2455	Shuttle Bobbin Case Position Finger
4931	2455	Shuttle Bobbin Case with 591f, 592c, 2975, 15098 and 15141
15098	2455	" Tension Spring
4821	—	Shuttle, 1 1/16" diam., complete, Nos. 2515, 2518 and 4931

From the library of: Diamond Needle Corp

7/47

7/47

No.	Plate	
4305h	107	Shuttle Race Slide
80528h		" " " 4305h with 2824h and two 51282c ...
2824h	107	" " " Spring
2108	2150	Thread Guard
80921	2455	Thread Spreader , complete, Nos. 934d, 1816, 80918 and 80919
80922	883	" " Cap (front)
80923	883	" " " (") Steady Spring
240d	118	" " " (") " " Screw
80924	883	" " " (back)
180d	953	" " " Screw
80918	2455	" " Carrier
80919	2455	" " Hook with 80920
80920	2455	" " Pin
934d	2455	" " " Screw
1816	2455	" " Roller and Stud
80688	106	Thread Take-up Spring Regulator Plate
233d	2453	" " " " " " Screw
80925h	2455	Throat Plate
691h	2455	" " " Screw (2)

No. 16K119 Machine

C.B. Shuttle. No Feed. For Darning or Mending Lace Curtains.

This machine is the same as 16K33, less Feed Parts, with the following exceptions:

No.	Plate	
*80926		Arm with 448c, 3005, 449, 12453, 15104 and two 15105 ...
*80987		Bed
80927	886	Face Plate with 80928 and two 12152
80928	2455	" " Needle Guard
12152	2455	" " " " Rivet
80930		Face Plate , complete, Nos. 445c, 233d, 448, 80081, 80211, 80259, 80688, 80927 and 80942
80931	886	Needle Bar with SS237c, 620c, 899d and 3391
899d	2456	" " Cap Screw
80932	2456	" " Connecting Stud
80937		" " " " 80932 with 734f and 80933 to 80936
80933	2456	" " " " Bush
734f	2456	" " " " Set Screw
80934	2456	" " " " Stop Bolt
80935	2456	" " " " " " " " Head
80936	2456	" " " " " " " " Spring
80910	2456	" " Spring
80939	2456	" " " Collar
80940	2456	" " " Rivet
80941	2456	" " " Washer (leather)
24391	2456	" " Thread Guard
620c	2456	" " " " Set Screw
SS237c	2456	" Set Screw
80908	886	Oscillating Shuttle Shaft
80909	2455	" " " Cam with two 448c
448c	2446	" " " " Set Screw
80942	2456	Presser Bar Lifter Stop Pin
SS105d	2456	" " Screw Bushing
4820	2455	Shuttle Bobbin Case Position Finger
4931	2455	Shuttle Bobbin Case with 591f, 592c, 2975, 15098 and 15141 ... ^{7/47}
15098	2455	" Tension Spring

From the Library of: **Diamond Needle Corp.**

7/4-7

No.	Plate	
4821	---	Shuttle , 1 1/8" diam., complete, Nos. 2515, 2518 and 4931 ...
4305h	107	Shuttle Race Slide ...
80528h	---	" " " 4305h with 2824h and two 51282e ...
2824h	107	" " " Spring ...
2108	2450	Thread Guard ...
80921	2455	Thread Spreader , complete, Nos. 934d, 1816, 80918 and 80919 ...
80922	883	" " " Cap (front) ...
80923	883	" " " (") Steady Spring ...
240d	118	" " " (") " " Screw ...
80924	883	" " " (back) ...
180d	953	" " " Screw ...
80918	2455	" " " Carrier ...
80919	2455	" " " Hook with 80920 ...
80920	2455	" " " Pin ...
934d	2455	" " " Screw ...
1816	2455	" " " Roller and Stud ...
80688	106	Thread Take-up Spring Regulator Plate ...
233d	2453	" " " " " Screw ...
80925h	2455	Throat Plate ...
691h	2455	" " " Screw (2) ...

Parts Complete for No. 16K121 Machine

C.B. Shuttle. No Feed. Clamp Stop Motion. For Darning and Embroidery Work.

No.	Plate	
*80892	---	Arm with 448c, 3005, 4449, 12453, 15404 and two 15405 ...
2002	2443	" Dowel Pin (2) ...
12453	2443	" Oil Tube, for intermediate bearing ...
123e	2443	" Screw ...
80501	2440	Arm Shaft ...
4449	2446	" " Bushing (front) ...
3005	2446	" " " (back) ...
448c	2446	" " " (") Set Screw ...
4288	2438	Arm Side Cover ...
51224d	2444	" " " Thumb Screw ...
2007	2441	" Spool Pin ...
80504	92	Balance Wheel (3" pulley, heavy rim) ...
*80982	---	Bed ...
256j ^w	2441	Clamp Stop Motion Clamp Screw ...
248a	2441	" " " " Stop Screw ...
2020	2441	" " " " Washer ...
*3023	2441	" " " " Flanged Bushing ...
4933	2441	" " " " " 3023 with two 462 ^w & 462 ^L ...
2022	133	" " " " " Pin ...
462 ^w	2449	" " " " " Set Screw ...
3022j	---	Clamp Stop Motion , complete, Nos. 248a, 256j ^w , 2020 and 4933 ...
4292	685	Crank Connecting Rod with 4349 and two 158e ...
*4349	---	" " " Cap ...
158e	2446	" " " " Screw ...
375c	2441	" " " " Hinge Screw ...
1518c	2448	" " " " " Nut ...

From the library of: Diamond Needle Corp

7/47

4/41

"

No.	Plate	
81018	886	Face Plate
164d	2443	" " Screw
81019	—	Face Plate , complete, Nos. 145c, 233d, 2108, 2124, 80081, 80211, 80688, 80942 and 81018
7647	886	Needle Bar
*3045	2448	" " Connecting Link
377c	2448	" " " " Hinge Screw
1518e	2448	" " " " " " Nut
2052	2443	" " " " Stud with 155c
155c	2443	" " " " Set Screw
290e	2453	" " Screw Bushing (2)
81020	2457	" " Yielding Presser
15588	2457	" " " " Pin
7649	2457	" " " " Spring
81021	—	Needle Bar , complete, Nos. 2273, 7647, 7649, 7651, 15588 and 81020
7651	2457	Needle Clamp with 206f
2273	2451	" " Pin
206f	2457	" Set Screw
4304	2442	Oscillating Rock Shaft with 4784
3052	2442	" " " Hinge Pin
1513j	2446	" " " " " Nut
635c	2442	" " " " " Screw Bearing
1513j	2446	" " " " " " Nut
4784	2442	" " " Oil Pad
3168	2440	Oscillating Shuttle Shaft
15163	2442	" " " Crank
*15164	—	" " " " 15163 with 1519e and 15171 ^{AL} 1/2
15165	2442	" " " " 15164 with two 462a ^{AL} 6/49
2049	2453	" " " " Pin
462a ^{AL}	2449	" " " " Set Screw 6/49
15170	2442	" " " " Slide Block
15171	2442	" " " " " " 15170 with 226d, 1035c and 12424
226d	2442	" " " " " Cap Screw
12424	2442	" " " " " " Washer
1035c	2442	" " " " " " Screw Stud
1519e	2453	" " " " " " Nut

15165 2442 Oscillating Shuttle Shaft Crank 15426 with 1519e, 15171 and two 462a ... 15v

15426 — Oscillating Shuttle Shaft Crank 1/52

No.	Plate	
80269	2442	Presser Bar Lifter
689c	104	" " " Screw
1520r	104	" " " " Nut
80942	2456	" " " Stop Pin
290e	2453	" " Screw Bushing
262j	2442	" " Spring Regulating Thumb Screw
2518	23	Shuttle Bobbin
*62739	—	" " Case
15277	23	Shuttle Bobbin Case with 591f, 592e, 2975, 15141 and 15278 ... 7/47
15141	—	" " " Hinge complete, Nos. 2973, 2974 and 15140
15140	23	" " " Latch
2973	23	" " " " Lever
2974	23	" " " " " Fulcrum Pin
2975	23	" " " " Spring
592e	23	" " " " Stop Screw
15027	—	" " " Position Finger
2523	—	" " " " " Rivet
2515	23	" Body
591f	23	" Tension Regulating Screw
15278	23	" " Spring
125018	—	Shuttle , 1 1/16" diam., complete, Nos. 2515, 2518 and 15277
*2512	—	Shuttle Driver
2441	23	" " 2542 with two 462a ^{AL}
2049	2453	" " Pin 6/49
462a ^{AL}	2449	" " Set Screw
2531	23	Shuttle Race Back
2532	23	" " " Position Pin
2533	23	" " " Spring 12/49
648Nj	2444	" " " " Screw
2530	23	" " " Body
15437	—	" " " 2530 with 2535, two each 662d and 2532
2535	23	" " Cap
662d	2444	" " " Screw
115d	2443	" " " Screw (2)
2528	—	Shuttle Race , complete, Nos. 648Nj, 2531, 2532 and 15437 ... 3/48
4305h	107	Shuttle Race Slide
80528h	—	" " " 1305h with 2824h and two 51282e
2824h	107	" " " Spring
51282e	2444	" " " " Screw

From the library of Diamond Needle Corp

No.	Plate					
2102	105	Tension Disc
80081	2441	"	"	Release Pin
1560d	2441	"		Regulating Thumb Nut
*600f	2441	"		Screw Stud
16202	...	"	"	"	600f with 1560d	...
145c	2443	"	"	"	Clamping Screw	...
2103	2444	"		Spring
80211	---	Tension, complete, Nos. 2103, 16202 and two 2102
2108	2450	Thread Guard
80544	2444	Thread Take-up Cam with 446c...
3012	2449	"	"	"	Pin	...
446c	2446	"	"	"	Set Screw	...
3072	109	Thread Take-up Lever with 1819
76c	2467	"	"	"	Hinge Screw	...
1819	2443	"	"	"	Roller and Stud	...
2124	2457	"	"		Spring	...
80688	106	"	"	"	Regulator Plate	...
233d	2453	"	"	"	"	Screw
80925h	2455	Throat Plate
691h	2455	"	"	"	Screw (2)	...
44212	---	Drip Pan with four wood screws 1/2" No. 5
*15404	---	Trade Mark
15405	---	"	"	"	Rivet	...

Parts Complete for No. 16K104 Machine

Single-Chain Stitch, with Looper Mechanism. 2 to 6 Stitches to inch.
For Sack and Dye Work.

No.	Plate					
*81500		Arm with 448c, 3005, 4449, 15104 and two 15105
2002	2443	"	"	Dowel Pin (2)
123c	2443	"	"	"	Screw (3)	...
4288	2438	"	"	"	Side Cover...	...
51224d	2444	"	"	"	Thumb Screw	...
81501	685	Arm Shaft
3005	2446	"	"	"	Bushing (back)	...
448c	2446	"	"	"	"	(") Set Screw
4449	2446	"	"	"	"	(front)
144c	2443	"	"	"	Screw	...
81033	92	Balance Wheel (2 3/4" pulley, heavy rim) with two 448c
448c	2446	"	"	"	Set Screw	...
*81502		Bed
4292	685	Crank Connecting Rod with 4349 and two 158e
*4349		"	"	"	Cap	...
158e	2446	"	"	"	"	Screw
375c	2441	"	"	"	"	Hinge Screw
1518e	2448	"	"	"	"	" Nut
81503	685	Face Plate
81504		"	"	"	complete, Nos. 145c, 460c, 2111, 80211 and 81503	...
164d	2443	"	"	"	Screw	...
81505	685	Feed Bar with 175a
175a	2446	"	"	"	Adjusting Screw	...
315c	2448	"	"	"	Screw Centre (2)	...
1519e	2453	"	"	"	"	Nut (2)
81506	685	Feed Connecting Rod with 81507 and three 158e
158e	2446	"	"	"	Adjusting Screw	...
*81507		"	"	"	Cap	...
158e	2446	"	"	"	"	Screw
27d	2446	"	"	"	"	Hinge Screw
1520r	104	"	"	"	"	Nut

From the library of: Diamond Needle Corp

No.	Plate							
81508	2447	Feed Dog
690d	2447	" " Screw
81509	2446	Feed Eccentric with two 446c
446c	2446	" " Set Screw
80361	2446	Feed Lifting Link with 80362 and two 158e
*80362	2446	" " " Cap
158e	2446	" " " " Screw
27d	2446	" " " Hinge Screw
1520r	104	" " " " " Nut
81510	685	Feed Rock Shaft
81512	-	" " " 81510 with 81511
81511	2446	" " " Crank with two 180e
180e	953	" " " " Adjusting Screw
307c	2446	" " " " Screw Centre (2)
1513j	2446	" " " " " Nut (2)
2117	2447	" " " " Steady Pin
80365	2448	Guide
793d	2459	" Thumb Screw
81513	2446	Looper
80379	685	" " " Rock Shaft
80381	-	" " " 80379 with 80380
80380	2446	" " " Crank
11663	2446	" " " " Pin
175d	2446	" " " " Screw (2)
81514	685	Needle Bar
*3015	2448	" " " Connecting Link
377c	2448	" " " " Hinge Screw
1518e	2448	" " " " " " Nut
81515	2448	" " " Stud with 155c and 156 ^{AL}
155c	2443	" " " " Clamping Screw
156 ^{AL}	2448	" " " " Set Screw
211c	2447	" " " " Set Screw
81516	685	Presser Bar
81517	2447	" " " Lifter
36c	2448	" " " " Screw
81518	2447	" " " Lifting Bracket with 453c
453c	2447	" " " " Set Screw
81519	2447	" " " Spring
SS111e	2447	" " " Regulating Thumb Screw
81520	2447	" " " Washer

No.	Plate							
81524	2447	Presser Foot , complete, Nos. 446c, 2117, 81521 to 81523 and two 152d
81521	2447	" " " Base
81522	2447	" " " Bracket
152d	2447	" " " Clamping Screw
2117	2447	" " " Hinge Pin
81523	2447	" " " Spring
446c	2446	" " " " Screw
2102	105	Tension Disc
1560d	2441	" Regulating Thumb Nut
*600f	2441	" Screw Stud
16202	-	" " " 600f with 1560d
145e	2443	" " " Clamping Screw
2103	2444	" Spring
80211	-	Tension , complete, Nos. 2103, 16202 and two 2102
80390	2448	Thread Guide (side of arm)
175d	2446	" " " Screw
80422	2448	Thread Retainer Bracket	3/48
180k	953	" " " " Screw
2102	105	" " " Tension Disc	"
4560b	2441	" " " " Regulating Thumb Nut	"
447k	2448	" " " " Screw Stud	"
2103	2444	" " " " Spring	"
80421	-	Thread Retainer , complete, Nos. 417b, 1560b, 2103, 80423 and two 2102	"
2112	104	Thread Retainer Guide Disc with 2113
2113	104	" " " " " Steady Pin
460c	104	" " " " Set Screw
2114	104	" " " " Spring
2115	104	" " " " Stud
2111	104	Thread Retainer Guide , complete, Nos. 2112, 2114 and 2115...
81525	2446	Thread Take-up Cam with 446c...
11663	2446	" " " " Pin
446c	2446	" " " " Set Screw
3072	109	Thread Take-up Lever with 1819
76c	2467	" " " " Hinge Screw
1819	2443	" " " " Roller and Stud
81526	2447	Throat Plate
81527	2447	" " " Loop Holder
211d	2447	" " " " " Screw
80464	2448	" " " " " Steady Pin
202d	2451	" " " " " Screw (2)
80312	-	Drip Pan with four wood screws $\frac{1}{2}$ " No. 5
*15404	-	Trade Mark
15405	-	" " " Rivet

Accessories

Accessories supplied with Nos. 16K25, 16K28 and 16K116 Machines.

No.	Plate	
2073	2411	Bobbin (Ø) $2 \frac{3}{16}$
12361	1434	Machine Hinge Connection (2)
36569	1434	Oiler
25537	1434	Screw Driver (machine)
120378	1434	" " (shuttle tension)
80107	1381	Wrench for 1528, 1547 and 1550, for 16K25 and 16K28 Machines
80569	2450	Wrench for 1632, for 16K116 Machine
82765	2454	Stop Motion Starting Lever Pitman Spring $1 \frac{1}{2}$ "

Accessories supplied with Nos. 16K33, 16K39, 16K53, 16K55, 16K107, 16K110, 16K111, 16K113, 16K117, 16K119 and 16K121 Machines.

No.	Plate	
2518	23	Bobbin (Ø) $2 \frac{3}{16}$
87589	1221	Darning Hoop (round, birch) 8" diam. $7 \frac{1}{2}$ " high, for 16K117 Machine
12361	1434	Machine Hinge Connection (2)
36569	1434	Oiler
25537	1434	Screw Driver (machine)
120378	1434	" " (shuttle tension)
80569	2450	Wrench for 1632 and NX36, for 16K39 and 16K107 Machines...
80107	1381	Wrench for 1528, 1547 and 1550, for 16K53, 16K55 and 16K110 Machines

Accessories supplied with No. 16K104 Machine.

No.	Plate	
36569	1434	Oiler
25537	1434	Screw Driver

Attachments

ATTACHMENT for Stitching Whip Stocks, for 16K107 Machine.

No.	Plate	
85503	—	Base
85504	—	“ Guide Plate
85506	—	“ “ “ (top)
240d	118	“ “ “ (“) Screw
85505	—	“ “ “ Hinge Pin
85502	130	Feed Dog
85507	130	Guide, complete, Nos. 85503 to 85506 and two 240d
85508	130	Presser Foot
85509	130	Throat Plate
85510	130	Whip Stock Attachment , complete, Nos. 85502 and 85507 to 85509

BINDERS

When ordering send sample of binding and material to be bound.

BINDER $\frac{7}{8}$ " (swing), for Bedding and Mattress Work, for 16K33 Machine.

No.	Plate	
85365	2413	Base
85366	—	“ Hinge Pin
85367	2413	“ Spring
207d	2412	“ “ “ Screw
85325	183	“ “ “ Washer
85368	—	“ Tape Tension Pin
85454	2412	Feed Dog
85363	2413	Folder and Bracket
85364	2413	“ Tape Guide
207d	2412	“ “ “ Screw
85362	2413	“ complete, Nos. 85325, 85363 to 85367, two 207d and six 85368
85328	—	Presser Foot Bracket
85329	—	“ “ “ Hinge Pin
85449	—	“ “ “ Sole
85370	183	“ “ “ (hinged), complete, Nos. 85328, 85329 and 85449... ..
85455	2413	Throat Plate
85456	2413	Binder , complete, Nos. 176d, 85325, 85362, 85370, 85454 and 85455
176d	81	Binder Screw
85325	183	“ “ Washer

BINDER for Cap Peak Work, for 16K33 Machine.

No.	Plate	
85437	81	Feed Dog
85460	—	Folder (top)
207d	2412	“ (“) Binding Screw
85461	—	“ (bottom)... ..
SS50d	183	“ (“) Binding Screw
85459	—	“ Base
85462	—	“ Roller Guide, complete, Nos. 701d, 85463 and 85464
SS50d	183	“ “ “ Binding Screw
85463	—	“ “ “ Bracket
85464	—	“ “ “ Roller
701d	2458	“ “ “ “ Screw
176d	81	“ Screw
85325	183	“ “ Washer
85458	81	“ complete, Nos. 85459 to 85462, two 207d and four SS50d
85465	81	Presser Foot
85466	81	Throat Plate
85467	81	Binder , complete, Nos. 85457, 85458, 85465, 85466 two each 176d and 85325

BINDER for Cardigan Jackets, for 16K33 Machine.

No.	Plate	
85345	2410	Feed Dog
85336	—	Folder Base
85337	—	“ Folding Plate (top)
85338	—	“ “ “ (bottom)
233d	2453	“ “ “ “ Screw
SS50d	183	“ “ “ Washer
85325	183	“ “ “ Washer
85335	2410	“ complete, Nos. 85336 to 85338 and four 233d
85343	2410	Presser Foot
85324	—	Tape Tension Pin (bent)
85323	—	“ “ “ (straight)
85340	—	“ “ “ Plate
207d	2412	“ “ “ Screw
85325	183	“ “ “ Washer
85339	2410	Tape Tension, complete, Nos. 85324, 85340 and four 85323
85346	2410	Throat Plate
85344	2410	Binder , complete, Nos. SS50d, 207d, 85335, 85339, 85343, 85345, 85346 and two 85325

From the Library of: Diamond Needle Corp

BINDER $\frac{7}{16}$ " for Cloth, for 16K33 Machine.

No.	Plate	
85580	2412	Feed Dog
85320		Folder
207d	2412	" Screw
85325	183	" " Washer
85577	2412	Presser Foot
85324		Tape Tension Pin (bent)
85323		" " " (straight)
85340		" " Plate
207d	2412	" " Screw
85325	183	" " " Washer
85339	2410	Tape Tension, complete, Nos. 85324, 85340 and four 85323
85581	2412	Throat Plate
85582	2412	Binder, complete, Nos. 85320, 85339, 85577, 85580, 85581, two each 207d and 85325

BINDER (adjustable) for Horse Rugs, for 16K33 Machine.

No.	Plate	
85511	189	Base and Folder
SS25d	2458	" Screw Stud
85513	189	Guide (top)
NN19d	122	" (") Thumb Nut
85514	2458	" (") " " Washer
85512		" Wire
50053d	2460	" " Thumb Screw
85515	189	Binder, complete, Nos. NN19d, SS25d, 176d, 50053d and 85511 to 85514
176d	81	Binder Screw

BINDER (adjustable) for General Work, for 16K33 Machine.

No.	Plate	
85356	189	Base
85358		" Tape Guide Pin
85357		" " Tension Pin
85359		Guide (bottom) with SS26e
SS26e	2458	" (") Screw Stud
85360	189	" (top)
NN44d	2459	" Thumb Nut
85355	189	Binder, complete, Nos. NN44d, 732d, 85356, 85358 to 85360, 85514 and seven 85357
732d	2458	Binder Thumb Screw
85514	2458	" " " Washer

BINDER $\frac{1}{2}$ " for Hosiery, Stay Work, etc., for 16K33 Machine.

No.	Plate	
85333	183	Feed Dog
85320		Folder
SS50d	183	" Screw
85328		Presser Foot Bracket
85329		" " " Hinge Pin
85330		" " Sole
85327	2410	" " (hinged), complete, Nos. 85328 to 85330
85324		Tape Tension Pin (bent)
85323		" " " (straight)
85322		" " Plate
SS50d	183	" " Screw
85325	183	" " " Washer
85321	2109	" " complete, Nos. 85322, 85321 and eight 85323
85332	2410	Throat Plate
85331	2410	Binder, complete, Nos. 85320, 85321, 85322, 85327, 85332, 85333 and two SS50d

BINDER $\frac{1}{2}$ " for Leather, for 16K33 Machine.

No.	Plate	
85454	2412	Feed Dog
85349		Folder Base
85351		" Guide (bottom)
233d	2453	" " Screw
85350		" " (top)
85352		" Wire Guide
85348	2412	" complete, Nos. 85349 to 85352 and two 233d
176d	81	" Screw
85325	183	" " Washer
85354	2412	Presser Foot
85624	2412	Throat Plate
85625	2412	Binder, complete, Nos. 176d, 85325, 85348, 85351, 85454 and 85624

BINDER (adjustable) for Leather, for 16K33 Machine.

No.	Plate	
85377	2459	Base
85379		Guide (bottom) with SS21e
SS21e	2459	" (") Screw
85378	2459	" (top)
NN44d	2459	" Thumb Nut
85376	2459	Binder, complete, Nos. NN44d, 176d, 85325 and 85377 to 85379
176d	81	Binder Screw
85325	183	" " Washer

BINDER $\frac{7}{8}$ ", for Mattress Work, for 16K33 Machine.

No.	Plate	
85571	183	Base and Folder
85572	183	Binder only, complete, Nos. 85324, 85571 and eight 85323 ...
SS50d	183	" Screw
85325	183	" " Washer
85333	183	Feed Dog
85328	—	Presser Foot Bracket
85329		" " " Hinge Pin
85449		" " Sole
85370	183	Presser Foot (hinged), complete, Nos. 85328, 85329 and 85449
85324	—	Tape Tension Pin (bent)
85323		" " " (straight)
85573	183	Throat Plate
85574	183	Binder , complete, Nos. SS50d, 85325, 85333, 85370, 85572 and 85573

BINDER $\frac{1}{2}$ ", for Stay Work, for 16K33 Machine.

No.	Plate	
85621	2409	Feed Dog
85614	2409	Folder
SS65d	2450	" Screw
85325	183	" " Washer
85615	—	Presser Foot Bracket
85616	—	" " " Hinge Pin
85617	—	" " Sole
85618	2409	Presser Foot (hinged), complete, Nos. 85615 to 85617 ...
85324	—	Tape Tension Pin (bent)
85323	—	" " " (straight)
85322	—	" " Plate
SS50d	183	" " Screw
85325	183	" " Washer
85321	2409	" " complete, Nos. 85322, 85324 and eight 85323 ...
85622	2409	Throat Plate
85623	2409	Binder , complete, Nos. SS50d, SS65d, 85321, 85614, 85618, 85621, 85622 and two 85325

BINDER (adjustable) for Horse Clothing, for 16K107 Machine.

No.	Plate	
85469	122	Base and Guide
85470	—	" Adjustable Tension Pin
85471	—	" Tension Pin
SS23d	2458	" " Screw Stud
NN19d	122	" " " " Thumb Nut
85472	—	Guide (bottom)
793d	2459	" (") Thumb Screw
85473	122	" (top)
85474	—	" (") Position Pin
NN19d	122	" (") Thumb Nut
85412	2458	" (") " " Washer
SS24d	2458	" Screw Stud
85475	122	Binder , complete, Nos. SS23d, SS24d, 793d, 85412, 85469, 85470, 85472 to 85474, two NN19d and eight 85471

BINDER (adjustable) for Horse Rugs, for 16K107 Machine.

No.	Plate	
85476	2459	Base
85477	2459	" Guide (wire)
85478	2459	" " Clamp Plate
793d	2459	" " " " Thumb Screw
85479	2459	Binder , complete, Nos. 793d and 85476 to 85478
176d	81	Binder Screw

CORDERS.

When ordering state size or number of cords to the inch.

CORDER (adjustable) for Fine Cording, for 16K33 Machine.

No.	Plate	
85842	2460	Base
85846	2460	Corder only, complete, Nos. NN41d, 393c, 50053d, 85842 to 85845, two each 316e and 1547d
SS50d	183	Corder Screw
85847	2460	Feed Dog
85843	2460	Finger Arm
85844	2460	" " Adjustable Bracket
85845	—	" " " " Block
293c	2460	" " " " " Screw
316e	2460	" " " " " Screw Centre
1547d	2460	" " " " " " Nut
NN41d	2460	" " " " " Thumb Nut
50053d	2460	" " " " " Set Screw
85848	2460	Presser Foot
85849	2460	Throat Plate
85850	2460	Corder , complete, Nos. SS50d and 85846 to 85849

From the library of Diamond Needle Co.

CORDER for Top Cording, for 16K33 Machine.

No.	Plate	
85410	125	Base
85481	125	Corder only, complete, Nos. SS28b, 879d, 85410, 85413 and 85480
SS41d	2419	" Screw
85412	2458	" " Washer
85480	125	Guide Finger with 85414, 85415 and two 85416
SS28b	2458	" " Adjusting Screw
85414	"	" " Eyelet
85413	2458	" " Hinge Pin
879d	2458	" " Locking Thumb Screw
85415	125	" " Tip
85416	"	" " Rivet
85417	125	Presser Foot (coarse)
85418	125	" " (fine)
85482	125	Corder, complete, Nos. SS41d, 85412, 85417 and 85481

**Used with but not included in 85182.*

CORDER GUIDE (adjustable) for 16K33 Machine.

No.	Plate	
85382	2459	Extension Guide
228d	2459	" " Screw
85381	2459	Presser Foot
85380	2459	Corder Guide, complete, Nos. 228d, 85381 and 85382
86181	2459	Cording Foot (grooved on right side) for 16K33 Machine
85880	2459	Cording and Hemming Foot

DARNING and EMBROIDERY HOOPS

(plain, birch)

No.	Plate	
87586	---	Round, $5\frac{3}{8}$ " diam. \times $7\frac{m}{m}$ high
96416	---	" 7" " \times $7\frac{m}{m}$ " "
87589	1221	" 8" " \times $7\frac{m}{m}$ " "
87593	---	" 10" " \times $7\frac{m}{16}$ " "
87595	---	" 12" " \times $\frac{1}{2}$ " " "
96422	1221	Oval, $9" \times 4\frac{1}{2}" \times 7\frac{m}{m}$ high
87597	---	" $12" \times 5\frac{1}{2}" \times 7\frac{m}{m}$ " "

DARNING and EMBROIDERY HOOPS

(with clamp, birch)

No.	Plate	
96417	---	Round, $5\frac{3}{8}$ " diam. \times $7\frac{m}{m}$ high, with SS528j, NN95j, two 96425 and four 96427
96418	---	" 7" " \times $7\frac{m}{m}$ " " SS528j, NN95j, two 96426 and four 96427
96419	---	" 8" " \times $7\frac{m}{m}$ " " SS528j, NN95j, two 96426 and four 96427
96420	---	" 10" " \times $\frac{7}{16}$ " " " SS528j, NN95j, two 96426 and four 96427
96421	---	" 12" " \times $\frac{1}{2}$ " " " SS528j, NN95j, two 96844 and four 96845
96423	---	Oval, $9" \times 4\frac{1}{2}" \times 7\frac{m}{m}$ high, with SS528j, NN95j, 96425, 96426 and four 96427
96424	---	" $12" \times 5\frac{1}{2}" \times 7\frac{m}{m}$ " " SS528j, NN95j, 96425, 96426 and four 96427
96425	2399	Clamping Bracket for 96417, 96423 and 96424
96426	2399	" " " 96418 to 96420, 96423 and 96424
96844	2399	" " " 96421
96427	2399	" " Rivet for 96417 to 96420, 96423 and 96424
96845	2399	" " " " 96421
SS528j	2399	" " Screw
NN95j	2399	" " " Nut
36835	2461	Felling Foot, $\frac{3}{32}$ " fell
85894	2461	" " $\frac{5}{16}$ " fell

FOLDER for 16K33 Machine.

No.	Plate	
85898	2462	Folder for Umbrellas ($\frac{1}{8}$ " to $\frac{1}{4}$ ", in grades of $\frac{1}{32}$ ")
<i>When ordering state width of fold.</i>		
85447	88	Folder Base with SS54e
SS54e	2462	" " Stud Screw
NN40d	88	" " " " Thumb Nut
85448	88	" " " " " Washer
85446	---	Folder Base, complete, Nos. NN40d, 85447 and 85448, for use with 85898

GATHERING FEET for 16K33 Machine.

No.	Plate	
85954	2461	Gathering Foot
121441 86192	2461	" " (slotted) 7/47

GUIDES

No.	Plate	
25527	2463	Guide for 16K33 Machine
86463	2463	" (double end) for 16K33 Machine

HEMMERS for 16K33 Machine.

When ordering state width of hem.

No.	Plate	
85982	2462	Hemmer ($\frac{1}{8}$ " and $\frac{3}{16}$ ")
85984	2462	" ($\frac{1}{4}$ ", $\frac{5}{16}$ ", $\frac{3}{8}$ ", $\frac{1}{2}$ ", $\frac{5}{8}$ ", $\frac{3}{4}$ ", 1" and $1\frac{1}{2}$ ") with 240d and 85992...
†85992	2462	" Spring for 85984
240d	118	" " Screw

† When ordering state size of Hemmer.

85993	2462	Hemmer for Umbrellas ($\frac{1}{16}$ " to $\frac{13}{32}$ " in grades of $\frac{3}{32}$ ")
86005	88	" ($\frac{3}{16}$ " to $\frac{1}{4}$ " in grades of $\frac{1}{16}$ ")
86008	88	" (1" to $1\frac{1}{4}$ " " " " $\frac{1}{8}$ ")
86010	88	" ($1\frac{3}{8}$ " and $1\frac{1}{2}$ ")
85447	88	" Base with SS54e
SS54e	2462	" " Stud Screw
NN40d	88	" " " " Thumb Nut
85448	88	" " " " " " Washer
85446	—	Hemmer Base, complete, Nos. NN40d, 85447 and 85448, for use with 85993, 86005, 86008 and 86010
86011	1159	Hemmer ($\frac{1}{2}$ ", $\frac{3}{4}$ ", 1" and $1\frac{1}{2}$ ", heavy)
85425	—	" (double end, $\frac{3}{8}$ " and $\frac{1}{2}$ ")
86014	1159	" (" " $\frac{3}{16}$ " " $\frac{1}{2}$ ")
86015	2463	" (" " $\frac{3}{16}$ " " $\frac{1}{2}$ ")
86464	2463	" (" " $\frac{3}{8}$ " " $\frac{1}{2}$ ")
85424	1159	" (" " 1" " $1\frac{1}{2}$ ", heavy)
86016	—	" (" " 1" " $1\frac{1}{2}$ " ")
86017	—	" (" " $1\frac{1}{4}$ " " $1\frac{1}{2}$ " ")
86018	—	" (" " 1" " 2" ")
86019	—	" (" " $1\frac{1}{2}$ " " 2" ")

HEMMER (adjustable) for 16K33 Machine.

No.	Plate	
86183	—	Hemmer Base Guide
86184	—	" Guide (bottom)
86185	—	" " (top)
236e	2463	" " (") Screw
289b	2463	" " (") Thumb Screw
86186	2463	Hemmer, complete, Nos. 289b, 86183 to 86185 and two 236e

85486	128	Hemmer (large) for Blankets, for 16K107 Machine
-------	-----	--

HEMMER FEET for 16K33 Machine.

No.	Plate	
85441	2461	$\frac{1}{8}$ " hem, for Silk
86477	2461	$\frac{1}{16}$ " and $\frac{1}{4}$ " hem, for Silk
86467	2461	$\frac{3}{32}$ " hem, for General Work
86468	2461	$\frac{3}{32}$ " " " Handkerchiefs
85440	2461	$\frac{3}{32}$ " " solid pin, for Handkerchiefs
86470	2461	$\frac{5}{32}$ " " for General Work
85435	2461	$\frac{3}{16}$ " "
86022	—	$\frac{3}{16}$ " " wide hole
85437	2461	$\frac{1}{2}$ " " for Flannel
85438	2461	$\frac{9}{32}$ " and $\frac{5}{16}$ " hem, for Towels, Napery, etc.

QUILTER for 16K33 Machine.

No.	Plate	
86190	2464	Clamp with 207d
207d	2412	" Screw
86189	2464	Rod
86191	2464	Quilter, complete, Nos. 86189 and 86190

QUILTER for 16K33 Machine.

No.	Plate	
86038	2464	Clamp with 207d
	207d	" Screw
86039	2464	Rod
86040	2464	Quilter, complete, Nos. 86038 and 86039

TUBULAR TRIMMING ATTACHMENT for making $\frac{3}{32}$ " , $\frac{1}{8}$ " and $\frac{5}{32}$ " Trimmings, for 16K33 Machine.

No.	Plate	
35984	1419	Presser Foot (strip folding) with tube
25539	1419	Stiletto...
†35983	1419	Strip Wire
†35985	1419	Tubular Trimming Attachment, complete, Nos. 25539, 35983 and 35984

† When ordering state size of trimming.

Welting Attachments**WELTING ATTACHMENT for Railway Carriage Cushions, for 16K33 Machine.**

No.	Plate	
85495		Base and Folder
86157	1420	Feed Dog
86158	1420	Presser Foot
86159	1420	Throat Plate
85496		Top Guide
	793d	" " Thumb Screw
85497	129	Welter only, complete, Nos. 793d, 85495 and 85496
86160	1420	Welting Attachment, complete, Nos. 85497 and 86157 to 86159

WELTING ATTACHMENT for Railway Carriage Cushions, for 16K107 Machine.

No.	Plate	
85495		Base and Folder
85498	129	Feed Dog
85499	129	Presser Foot
85500	129	Throat Plate
85496		Top Guide
	793d	" " Thumb Screw
85497	129	Welter only, complete, Nos. 793d, 85495 and 85496
85501	129	Welting Attachment, complete, Nos. 85497 to 85500

WELTING ATTACHMENT (adjustable) for Piping on Military Trousers, for 16K107 Machine.

No.	Plate	
85489	124	Piping Folder Bracket
	207d	" " " Screw
85325	183	" " " " Washer
85490		" " Tongue
	174d	" " " Screw
85487	124	" Guide
85488	124	" " Base
	SS50d	" " Screw
85325	183	" " " Washer
85491	124	Welting Attachment, complete, Nos. SS50d, 85487 to 85490, two each 174d, 207d and three 85325

From the library of: Diamond Needle Corp

WELTING GUIDE for Leather, for 16K33 Machine.

No.	Plate	Guide
85374	-	Guide
85373	-	" Base
196d	2453	" Screw
85372	2464	" only, complete, Nos. 196d, 85373 and 85374
85375	2464	Presser Foot
85371	2464	Welting Guide , complete, Nos. 85372 and 85375

Bobbin Winders

Bobbin Winder (friction) for 16K25 Machine, for Loose Wheel.

No.	Plate	Description
80990	953	Bracket
80991	953	Frame
80994	951	" complete, Nos. 333r, 5960, 5961 and 80991 to 80993
788d	953	" Hinge Screw
5960	953	Friction Wheel (leather)
5961	953	" " Washer
333r	953	" " " Screw
80992	953	Spindle with 15072
15072	2466	" Bobbin Position Pin
80993	953	" Flange
12170	953	Spring
1801	953	" Screw
80995	-	Bobbin Winder , complete, Nos. 1801, 788d, 12170, 80990 and 80994
SS56d	2466	Bobbin Winder Screw

Bobbin Winder (friction) for 16K25 Machine, for Loose Wheel.

(Export only.)

No.	Plate	Description
80990	953	Bracket
80991	953	Frame
80996	951	" complete, Nos. 5960, 5961, 80164 and 80991 to 80993
788d	953	" Hinge Screw
5960	953	Friction Wheel (leather)
5961	953	" " Washer
80992	953	Spindle with 15072
15072	2466	" Bobbin Position Pin
80164	953	" for Spool in place of 333r
80993	953	" Flange
12170	953	Spring
1801	953	" Screw
80997	-	Bobbin Winder , complete, Nos. 1801, 788d, 12170, 80990 and 80996
SS56d	2466	Bobbin Winder Screw

From the library of: Diamond Needle Corp

Bobbin Winder (friction) for 16K25 Machine, for Tight Wheel.

No.	Plate						
80990	953	Bracket
80991	953	Frame
80998	951	" complete, Nos. 333r, 5960, 5961 and 80991 to 80993
788d	953	" Hinge Screw
5960	953	Friction Wheel (leather)
5961	953	" " Washer
333r	953	" " " Screw
80992	953	Spindle with 15072
15072	2466	" Bobbin Position Pin
80993	953	" Flange
12170	953	Spring
180f	953	" Screw
80999		Bobbin Winder, complete, Nos. 180f, 788d, 12170, 80990 and 80998
SS56d	2466	Bobbin Winder Screw

Bobbin Winder (friction) for 16K25 Machine, for Tight Wheel

(Export only.)

No.	Plate						
80990	953	Bracket
80991	953	Frame
81000	951	" complete, Nos. 5960, 5961 80164 and 80991 to 80993
788d	953	" Hinge Screw
5960	953	Friction Wheel (leather)
5961	953	" " Washer
80992	953	Spindle with 15072
15072	2466	" Bobbin Position Pin
80164	953	" for Spool in place of 333r
80993	953	" Flange
12170	953	Spring
180f	953	" Screw
81001	---	Bobbin Winder, complete, Nos. 180f, 788d, 12170, 80990 and 81000
SS56d	2466	Bobbin Winder Screw

Bobbin Winder (hinged) for 16K28 Machine, for Tight Wheel.

No.	Plate						
80875	2465	Frame
80876	2465	" complete, Nos. 2460, 2462, 8371 and 80875
2460	2466	Friction Ring (rubber)
8371	2466	Pulley
2462	2465	Spindle with 15072
15072	2466	" Bobbin Position Pin
80882	2465	Spring
80867		Bobbin Winder, complete, Nos. 80876 and 80882
46d	2466	" " Hinge Screw

Bobbin Winder (hinged) for 16K28 Machine, for Tight Wheel.

(Export only.)

No.	Plate						
80878	2465	Frame
80879	2465	" complete, Nos. 2460, 15072, 80873, 80878, 80880 and 80981
2460	2466	Friction Ring (rubber)
80981	2466	Pulley
80880	2465	Spindle
15072	2466	" Bobbin Position Pin
80873	2466	" Collar
80882	2465	Spring
80883		Bobbin Winder, complete, Nos. 80879 and 80882
46d	2466	" " Hinge Screw

Bobbin Winder (friction) for 16K33, 16K39, 16K53, 16K55, 16K111, 16K113, 16K117 and 16K119 Machines, for Loose Wheel.

No.	Plate						
80990	953	Bracket
80991	953	Frame
81003	952	" complete, Nos. 333r, 5960, 5961, 80991, 80993 and 81002
788d	953	" Hinge Screw
5960	953	Friction Wheel (leather)
5961	953	" " Washer
333r	953	" " " Screw
81002	953	Spindle with 15072
15072	2466	" Bobbin Position Pin
80993	953	" Flange
12170	953	Spring
180f	953	" Screw
81004	---	Bobbin Winder, complete, Nos. 180f, 788d, 12170, 80990 and 81003
SS56d	2466	Bobbin Winder Screw

Bobbin Winder (friction) for 16K33, 16K39, 16K53, 16K55, 16K111, 16K113, 16K117 and 16K119 Machines, for Loose Wheel. ^{16K121} 4/49

(Export only.)

No.	Plate	
80990	953	Bracket
80991	953	Frame
81005	952	" complete, Nos. 5960, 5961, 80164, 80991, 80993 and 81002
788d	953	" Hinge Screw
5960	953	Friction Wheel (leather)
5961	953	" " Washer
81002	953	Spindle with 15072
15072	2466	" Bobbin Position Pin
80164	953	" for Spool in place of 333r
80993	953	" Flange
12170	953	Spring
180f	953	" Screw
81006		Bobbin Winder , complete, Nos. 180f, 788d, 12170, 80990 and 81005
SS56d	2466	Bobbin Winder Screw

Bobbin Winder (friction) for 16K33, 16K39, 16K53, 16K55, 16K111, 16K113, 16K117 and 16K119 Machines, for Tight Wheel. ^{16K121} 4/49

No.	Plate	
80990	953	Bracket
80991	953	Frame
81007	952	" complete, Nos. 333r, 5960, 5961, 80991, 80993 and 81002
788d	953	" Hinge Screw
5960	953	Friction Wheel (leather)
5961	953	" " Washer
333r	953	" " Screw
81002	953	Spindle with 15072
15072	2466	" Bobbin Position Pin
80993	953	" Flange
12170	953	Spring
180f	953	" Screw
81008		Bobbin Winder complete, Nos. 180f, 788d, 12170, 80990 and 81007
SS56d	2466	Bobbin Winder Screw

Bobbin Winder (friction) for 16K33, 16K39, 16K53, 16K55, 16K111, 16K113, 16K117 and 16K119 Machines, for Tight Wheel. ^{16K121} 4/49

(Export only.)

No.	Plate	
80990	953	Bracket
80991	953	Frame
81009	952	" complete, Nos. 5960, 5961, 80164, 80991, 80993 and 81002
788d	953	" Hinge Screw
5960	953	Friction Wheel (leather)
5961	953	" " Washer
81002	953	Spindle with 15072
15072	2466	" Bobbin Position Pin
80164	953	" for Spool in place of 333r
80993	953	" Flange
12170	953	Spring
180f	953	" Screw
81010		Bobbin Winder , complete, Nos. 180f, 788d, 12170, 80990 and 81009
SS56d	2466	Bobbin Winder Screw

Bobbin Winder (hinged) for 16K110 Machine, for Tight Wheel.

No.	Plate	
80875	2465	Frame
80887	2465	" complete, Nos. 2460, 8371, 80875 and 81031
2460	2466	Friction Ring (rubber)
8371	2466	Pulley
81031	2466	Spindle
80882	2465	Spring
80870		Bobbin Winder , complete, Nos. 80882 and 80887
46d	2466	" " Hinge Screw

Bobbin Winder (hinged) for 16K110 Machine, for Tight Wheel.

(Export only.)

No.	Plate	
80878	2465	Frame
80889	2465	" complete, Nos. 2460, 15072, 80873, 80878, 80890 and 80981
2460	2466	Friction Ring (rubber)
80981		Pulley
80890	2466	Spindle
15072	2466	" Bobbin Position Pin
80873	2466	" Collar
80882	2465	Spring
80891		Bobbin Winder , complete, Nos. 80882 and 80889
46d	2466	" " Hinge Screw

Bobbin Winder (eccentric) for 16K107 Machine, for Tight Wheel.

No.	Plate						
80817	-	Eccentric
SS469d	2466	" Thumb Screw
80791	-	Frame
2460	2466	Friction Ring (rubber)
8371	2466	Pulley
80792	-	Spindle
80793	-	" 80792 with 8371
80794	93	Bobbin Winder, complete, Nos. SS469d, 2460, 80791, 80793 and 80817
SS56d	2466	Bobbin Winder Screw

Bobbin Winder (friction) for Oscillating Shuttle Machines, for Singer**Driving Attachment.**

No.	Plate						
27423	2465	Frame
84106	2465	" complete, Nos. 2460, 2462, 8371 and 27423
2460	2466	Friction Ring (rubber)
8371	2466	Pulley
2462	2465	Spindle with 15072
15072	2466	" Bobbin Position Pin
12222	2466	Spring
180f	953	" Screw
84105	-	Bobbin Winder, complete, Nos. 180f, 12222 and 84106
46d	2466	" " Hinge Screw

Bobbin Winder (friction) for C.B. Machines, for Singer Driving Attachment.

No.	Plate						
27423	2465	Frame
84111	2465	" complete, Nos. 2460, 5529, 8371 and 27423
2460	2466	Friction Ring (rubber)
8371	2466	Pulley
5529	2466	Spindle
12222	2466	Spring
180f	953	" Screw
84110	-	Bobbin Winder, complete, Nos. 180f, 12222 and 84111
46d	2466	" " Hinge Screw

Bobbin Winder (swinging automatic, right hand) for 2073.

No.	Plate						
27540	1428	Base
27302	1428	Frame
50356b	2466	" Hinge Screw
1620j	2466	" " " Nut
27303	2466	" Spring
27541	1428	Pulley
27305	1428	Spindle
27306	1428	Spool Pin
11241	-	" " Washer (cloth)
27307	1428	" Stand
27308	1428	Spool Stand, complete, Nos. 418e, 1562j, 2106, 10141, 11241, 27306, 27307, two each 2455 and wood screws 1" No. 10
<i>As No. 27308 can be supplied either Plated or Japanned, it is necessary to state which is required.</i>							
27309	1428	Stop Latch
35b	2466	" " Hinge Screw
2455	2466	Tension Disc
1562j	2466	" Regulating Thumb Nut
418e	2466	" Screw Stud
10141	2466	" Spring
2106	2466	" Thread Guide
27646	1428	Bobbin Winder, Nos. 35b, 1620j, 27302, 27303, 27305, 27309, 27540, 27541, 50356b and two wood screws 1" No. 7
27543	-	Bobbin Winder, complete, Nos. 27308 and 27646

**Bobbin Winder (swinging automatic, right hand) for 2073,
for 16K116 Machine.**

No.	Plate							
84104	-	Base
27302	1428	Frame
32d	2466	" Hinge Screw
27303	2466	" Spring
2448		Pulley
84103	2466	Spindle with 15072
15072	2466	" Bobbin Position Pin
27306	1428	Spool Pin
11241		" " Washer (cloth)
27307	1428	" Stand
27308	1428	Spool Stand, complete, Nos. 418e, 1562j, 2106, 10141, 11241, 27306, 27307, two each 2455 and wood screws 1" No. 10

As No. 27308 can be supplied either Plated or Japanned, it is necessary to state which is required.

27309	1428	Stop Latch
35b	2466	" " Hinge Screw
2455	2466	Tension Disc
1562j	2466	" Regulating Thumb Nut
418e	2466	" Screw Stud
10141	2466	" Spring
2106	2466	" Thread Guide
84848	-	Bobbin Winder, Nos. 32d, 35b, 2448, 27302, 27303, 27309, 84103, 84104 and two wood screws 1" No. 7 R.H.
84849		Bobbin Winder, complete, Nos. 27308 and 84848

Bobbin Winder (swinging automatic, right hand) for 2518

No.	Plate							
27540	1428	Base
27302	1428	Frame
50356b	2466	" Hinge Screw
1620j	2466	" " " Nut
27303	2466	" Spring
27541	1428	Pulley
*27849		Spindle
27538	1428	" 27849 with 15072, 27850 and 41828
15072	2466	" Bobbin Position Pin
*27850		" Collar
41828		" " Pin
27306	1428	Spool Pin
11241		" " Washer (cloth)
27307	1428	" Stand
27308	1428	Spool Stand, complete, Nos. 418e, 1562j, 2106, 10141, 11241, 27306, 27307, two each 2455 and wood screws 1" No. 10

As No. 27308 can be supplied either Plated or Japanned, it is necessary to state which is required.

27312	1428	Stop Latch
35b	2466	" " Hinge Screw
2455	2466	Tension Disc
1562j	2466	" Regulating Thumb Nut
418e	2466	" Screw Stud
10141	2466	" Spring
2106	2466	" Thread Guide
27647	1428	Bobbin Winder, Nos. 35b, 1620j, 27302, 27303, 27312, 27538, 27540, 27541, 50356b and two wood screws 1" No. 7
27544		Bobbin Winder, complete, Nos. 27308 and 27647

Knee Lifters

KNEE LIFTER for 16K33, 16K39 and 16K53 Machines.

No.	Plate	Description
80655	2468	Arm Lever
80656	2468	" " Connecting Pitman
694d	2467	" " Hinge Screw
80657	2468	Bell Crank with 445c
12243	2469	" " Lifting Lever
80203		" " " " 12243 with 6337
6337	2469	" " " " Bracket with two 356c
356c	2467	" " " " " Set Screw
445c	2467	" " " " " Set Screw
12234	2468	" " Shaft
12235	2468	" " Spring
2767	2469	Knee Plate with 356c
2765	2469	" " Arm <i>w/1507E</i>
2768		" " " " 2765 with 2766 and 2767
2766	2469	" " " " Bracket with 356c
356c	2467	" " " " " Set Screw
356c	2467	" " " " " Set Screw
80659	2467	Presser Bar Arm Lever Raising Bracket
80207	2467	" " " " " " Spring
80658	2467	" " " " Bracket with 453c and 756c
756c	2467	" " " " " Clamping Screw
453c	2447	" " " " " Set Screw
2763	2469	Rock Shaft
80262	—	" " 2763 with 2768 and 80203
97502	2469	" " Bracket
—	—	" " " " Screw (wood) 1" No. 10
80653	—	Knee Lifter, complete, Nos. 694d, 12234, 12235, 80207, 80262, 80655 to 80659, two 97502 and four wood screws 1" No. 10

KNEE LIFTER for 16K25, 16K28, 16K55 and 16K110 Machines.

This is the same as No. 80653 with the following exceptions :—

No.	Plate	Description
80866	2468	Rock Shaft Bracket
80654		Knee Lifter, complete, Nos. 694d, 12234, 12235, 80207, 80262, 80655 to 80659, two 80866 and four wood screws 1" No. 10

KNEE LIFTER for 16K113 Machine

This is the same as No. 80653 with the following exceptions :—

No.	Plate	Description
80826	2467	Presser Bar Arm Lever Raising Bracket
80812	2467	" " " " " " " Spring
80827	2467	" " " " Bracket with 453c and 756c
80814	—	Knee Lifter, complete, Nos. 694d, 12234, 12235, 80262, 80655 to 80657, 80812, 80826, 80827, two 97502 and four wood screws 1" No. 10

1507E 2454 Rock shaft knee plate arm bracket position nut

From the library of: Diamond Needle Corp

KNEE LIFTER for 16K104 Machine.

No.	Plate					
81530	2469	Arm Lever
81531	2469	" " Connecting Pitman
81532	2469	" " " " 81531 with 1521c and 12416
12416	2469	" " " " Joint
76d	2467	" " " " Hinge Screw
1521c	2467	" " " " Lock Nut
802d	2467	" " Hinge Screw
5596	2467	Bell Crank
5599	2467	" " Bracket
178c	2467	" " " Screw
5601	2467	" " Hinge Pin
5735	2467	" " Spring
5598	2467	Bell Crank, complete, Nos. 5596, 5599, 5601 and 5735
12243	2469	" " Lifting Lever
80203	-	" " " " 12243 with 6337
6337	2469	" " " " Bracket with two 356c
356c	2467	" " " " Set Screw
2767	2469	Knee Plate with 356c
2765	2469	" " Arm w/1507E	1/2v
2768	"	" " " 2765 with 2766 and 2767
2766	2469	" " " Bracket with 356c
356c	2467	" " " Set Screw
356c	2467	" " " Set Screw
80826	2467	Presser Bar Arm Lever Raising Bracket
80812	2467	" " " " " Spring
80827	2467	" " Bracket with 453c and 756c
756c	2467	" " " Clamping Screw
453c	2417	" " " Set Screw
81533	2469	" " Spring
2763	2469	Rock Shaft
80262	"	" " 2763 with 2768 and 80203
97502	2469	" " Bracket
-	"	" " " Screw (wood) 1" No. 10
81534		Knee Lifter, complete, Nos. 761, 802d, 5598, 80262, 80812, 80826, 80827, 81530, 81532, 81533, two each 178c, 97502 and four wood screws 1" No. 10

1507E 2454 Rock Shaft Knee Plate Arm Bracket Position Nut

Thread Unwinder

For One Spool of Thread.

For 16K104 Machine

(supplied with machine)

No.	Plate				
225259	2212	Spool Rest with 201018c
150203	"	" " Cushion (left)
225388	2212	" " Rod
200383c	2458	" " " Set Screw
201018c	2458	" " Set Screw
202490	2212	" Stand with 200383c
225391	2212	Thread Guide
201696j	2458	" " Lock Nut
225326	"	" " Position Cup
225324	2212	" " Rod with 208c and 225322
208c	2444	" " " Screw
225322	"	" " " Washer
225260	2212	Thread Unwinder, complete, Nos. 150203, 201696j, 202490, 225259, 225324, 225326, 225388, 225391, and three wood screws 3/4" No. 12
27739		Thread Cone (wood) for large cones
225390	"	" " Holder for inverted cones

NOTE: Nos. 27739 and 225390 are used with, but not included in 225260.

From the library of: Diamond Needle Corp

Obsolete Parts

DRIVING ATTACHMENT

for use with arms Nos. 80555, 80708, 80805 and 80807

for

Oscillating Shuttle Machines.

No.	Plate	
80167	133	Bobbin Winder Frame
80258	2465	" " " complete, Nos. 333r, 5960, 5961, 5963, 80161 and 80167
32d	2466	" " " Hinge Screw
5960	953	" " Friction Wheel (leather)
5961	953	" " " " Washer
333r	953	" " " " " Screw
80161	1428	" " Spindle with 15072
15072	2466	" " " Bobbin Position Pin
5963	2466	" " " Flange
12222	2466	" " Spring
180f	953	" " " Screw
80790	—	Bobbin Winder (friction), complete, Nos. 180f, 12222 and 80258
80619	133	Driving Arm with 429c
80620	133	" " Bracket
693e	2470	" " " Hinge Screw
1579e	2470	" " " " " Nut
692e	2453	" " " Screw
2928	—	" " Brake (leather)
3021	—	" " Rivet
80105	—	" " Cover (for Oil Box)
104d	2470	" " " Hinge Screw
2939	133	" " Friction Pulley, 3"
12306	—	" " " " " 2 1/2"
2940	—	" " " " Centre Bearing
2941	133	" " " " Stud (hollow)
429c	2470	" " " " " Set Screw
80621	133	" " Pitman
12225	133	" " " Crank
80615	—	" " " " 12225 with 12189, 80623, 80624 and two 2022
65d	2470	" " " " Hinge Screw
2022	133	" " " " Pin
80623	133	" " " " Shaft
80624	133	" " " " Spring
65d	2470	" " " " Hinge Screw

No.	Plate	
341d	2470	Driving Arm Regulating Screw
1594e	2470	" " " " Nut
80618	—	Driving Arm, complete, Nos. 32d, 104d, 341d, 692e, 693e, 1579e, 1591e, 2928, 2939 to 2941, 80105, 80619, 80620, 80790 and two 3021
80616	133	Friction Wheel with 2943, 80212 and two SS163c
2943	—	" " Ring (leather)
80212	2470	" " " Stop Pin
SS163c	2470	" " Set Screw
84275	1361	Shaft Driving Pulley (10" diam., sectional, grooved), with two 597c
597c	2470	" " " Clamping Screw
80617	133	Oil Cup
327d	2470	" " Screw
2966	133	" " Washer (left)
80250	1361	Treadle,
84683	—	" 80250 with 80217 to 80219 and four wood screws 1 1/2" No. 14
80219	—	" Bearing Pin
12189	133	" Connecting Rod Crank
2022	133	" " " " Pin
80218	1361	" Floor Bracket
80217	2468	" " " Screw (wood) 1 1/2" No. 14
356c	2467	" " Set Screw
80221	—	Treadle Pitman Rod (upper)
80222	—	" " " (lower)
80223	—	" " " Clamp with 361c
361c	2470	" " " " Set Screw
80220	1361	Treadle Pitman, complete, Nos. 80221 to 80223
80215	—	Treadle and Pitman, complete, Nos. 80220 and 84683
80614	—	Driving Attachment, complete, Nos. 327d, 2966, 80215, 80615 to 80618, 80621, 84275 and two 65d

From the library of: Diamond Needle Corp

DRIVING ATTACHMENT

for use with Arms Nos. 80555, 80660, 80674, 80708, 80715, 80805 and 80807
for G.B. Shuttle Machines.

This is the same as No. 80614 with the following exceptions:

No.	Plate	
80260	133	Bobbin Winder Frame complete, Nos. 333e, 5960, 5961, 5963, 15077 and 80167
15077	1428	" " Spindle with 15072
80639	-	Bobbin Winder (friction), complete, Nos. 1801, 12222 and 80260
80626	-	Driving Arm complete, Nos. 32d, 104d, 311d, 692e, 693e, 1579e, 1594e, 2928, 2939 to 2941, 8010e, 80619, 80620, 80639 and two 3021
80625	-	Driving Attachment, complete, Nos. 327d, 2966, 80215, 80615 to 80617, 80621, 80626, 84275 and two 65d

Numerical List of Parts

No.	Plate	
SS6d	2454	Stop Motion Starting Lever Hinge Screw Stud for 80742 and 80971
SS8f	2454	Stop Motion Starting Lever Roller Screw Stud for 80742 and 80971
RR10	2454	Stop Motion Starting Lever Roller for 80742 and 80971
NN19d	122	Binder Base Tension Screw Stud Thumb Nut for 85475
NN19d	122	Binder Guide (top) Thumb Nut for 85475 and 85515
NN21d	2450	Reel Holder Rod Spool Pin Jam Nut for 80754
RR23	2450	Side Rock Shaft Quadrant Cam Roller for 80768
SS23d	2458	Binder Base Tension Screw Stud for 85475
SS24d	2458	Binder Guide Screw Stud for 85475
SS25d	2458	Binder Base Screw Stud for 85515
SS26e	2458	Binder Guide (bottom) Screw Stud for 85359,
27d	2446	Feed Connecting Rod Hinge Screw for 16K104 Machine
27d	2446	Feed Lifting Link Hinge Screw for 16K104 Machine
SS28b	2458	Corder Guide Finger Adjusting Screw for 85481
NN31e	2454	Stop Motion Starting Lever Hinge Screw Stud Lock Nut for 80742 and 80971
32d	2466	Bobbin Winder Frame Hinge Screw for 80618, 80626 and 84848
35b	2466	Bobbin Winder Stop Latch Hinge Screw for 27646, 27647, and 84848
36e	2448	Presser Bar Lifter Screw for 16K104 Machine
NN36d	2450	Side Rock Shaft Hinged Joint Nut for 80762
NN40d	2462	Folder Base Stud Screw Thumb Nut for 85446
NN40d	2462	Hemmer Base Stud Screw Thumb Nut for 85446
NN44d	2460	Corder Finger Arm Adjustable Bracket Thumb Nut for 85846
NN44d	2459	Binder Guide Thumb Nut for 85355 and 85376
SS41b	2449	Lifting Presser Plunger Yoke Clamping Screw for 80686b and 80819
SS44d	2449	Corder Screw for 85482
46d	2466	Bobbin Winder Hinge Screw for 80867, 80870, 80883, 80891, 84105 and 84110